

**BALDOR® • RELIANCE** 

**Product Information Packet**

**JMM3311T**

**7.5HP, 1750RPM, 3PH, 60HZ, 213JM, 3644M, OPSB**

Part Detail							
Revision:	F	Status:	INA/A	Change #:		Proprietary:	No
Type:	AC	Elec. Spec:	36WGS915	CD Diagram:	CD0005	Mfg Plant:	
Mech. Spec:	36M900	Layout:	36LYM900	Poles:	04	Created Date:	04-17-2012
Base:	RG	Eff. Date:	03-08-2016	Leads:	9#16		

Specs			
Catalog Number:	JMM3311T	Heater Indicator:	No Heater
Enclosure:	OPSB	Insulation Class:	F
Frame:	213JM	Inverter Code:	Not Inverter
Frame Material:	Steel	KVA Code:	J
Output @ Frequency:	7.500 HP @ 60 HZ	Lifting Lugs:	No Lifting Lugs
Synchronous Speed @ Frequency:	1800 RPM @ 60 HZ	Locked Bearing Indicator:	Locked Bearing
Voltage @ Frequency:	208.0 V @ 60 HZ	Motor Lead Quantity/Wire Size:	9 @ 16 AWG
	230.0 V @ 60 HZ	Motor Lead Exit:	Ko Box
	460.0 V @ 60 HZ	Motor Lead Termination:	Flying Leads
XP Class and Group:	None	Motor Type:	3644M
XP Division:	Not Applicable	Mounting Arrangement:	F1
Agency Approvals:	UR	Power Factor:	80
	CSA	Product Family:	General Purpose
Auxillary Box:	No Auxillary Box	Pulley End Bearing Type:	Ball
Auxillary Box Lead Termination:	None	Pulley Face Code:	C-Face
Base Indicator:	Rigid	Pulley Shaft Indicator:	Tapped & Key
Bearing Grease Type:	Polyrex EM (-20F +300F)	Rodent Screen:	Included
Blower:	None	Shaft Extension Location:	Pulley End

Product Information Packet: JMM3311T - 7.5HP,1750RPM,3PH,60HZ,213JM,3644M,OPSB

<b>Current @ Voltage:</b>	19.800 A @ 230.0 V	<b>Shaft Ground Indicator:</b>	No Shaft Grounding
	21.000 A @ 208.0 V	<b>Shaft Rotation:</b>	Reversible
	9.900 A @ 460.0 V	<b>Shaft Slinger Indicator:</b>	Shaft Slinger
<b>Design Code:</b>	A	<b>Speed Code:</b>	Single Speed
<b>Drip Cover:</b>	No Drip Cover	<b>Motor Standards:</b>	NEMA
<b>Duty Rating:</b>	CONT	<b>Starting Method:</b>	Direct on line
<b>Electrically Isolated Bearing:</b>	Not Electrically Isolated	<b>Thermal Device - Bearing:</b>	None
<b>Feedback Device:</b>	NO FEEDBACK	<b>Thermal Device - Winding:</b>	None
<b>Front Face Code:</b>	Standard	<b>Vibration Sensor Indicator:</b>	No Vibration Sensor
<b>Front Shaft Indicator:</b>	None	<b>Winding Thermal 1:</b>	None
		<b>Winding Thermal 2:</b>	None

Nameplate NP1256L										
CAT.NO.	JMM3311T									
SPEC.	36M900S915H1									
HP	7.5									
VOLTS	208-230/460									
AMP	21-19.8/9.9									
RPM	1750									
FRAME	213JM				HZ	60			PH	3
SER.F.	1.15		CODE	J	DES	A		CLASS	F	
NEMA-NOM-EFF	88.5		PF	80						
RATING	40C AMB-CONT									
CC	010A				USABLE AT 208V					
DE	6307				ODE	6205				
ENCL	OPSB		SN							

**AC Induction Motor Performance Data**

Record # 47551

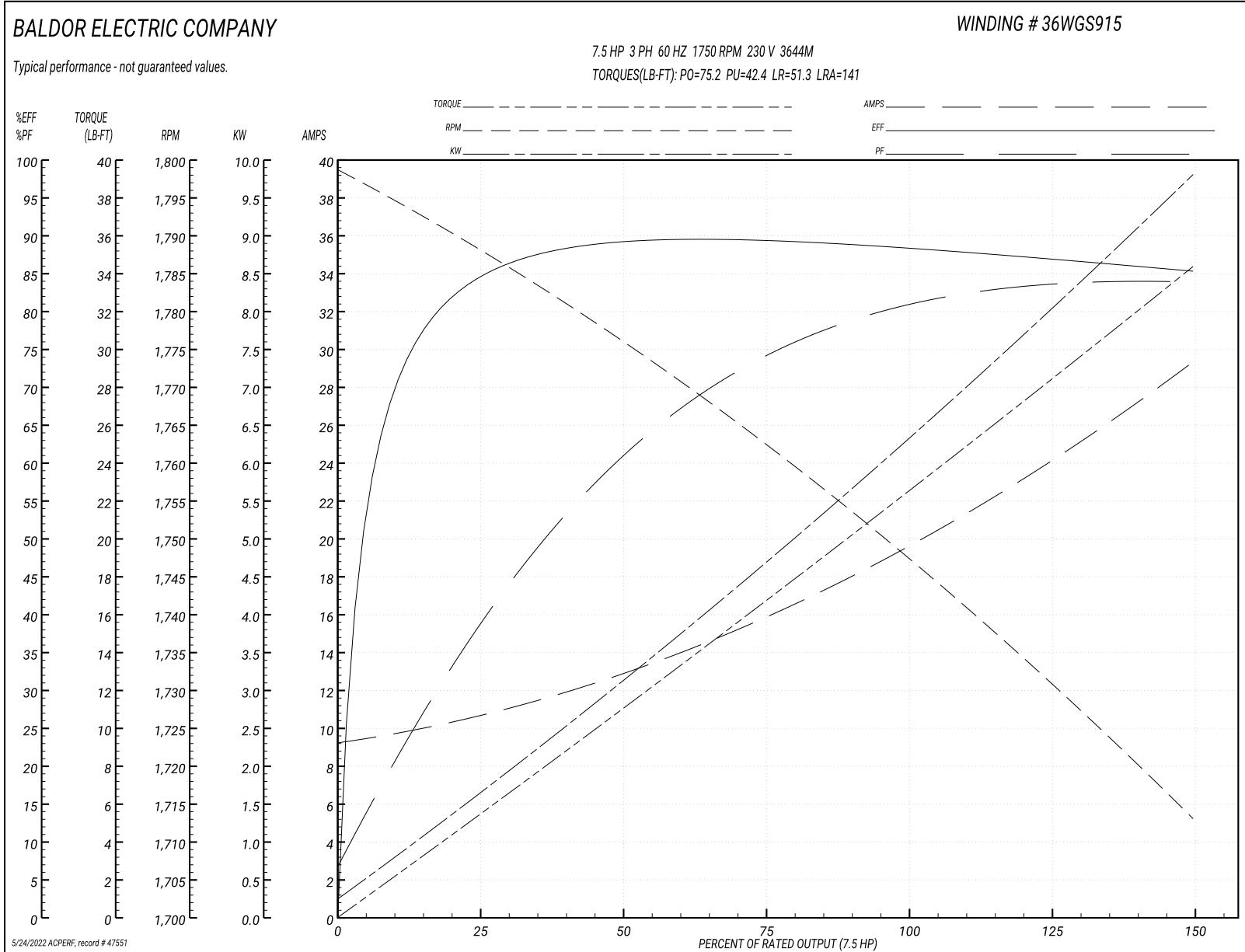
Typical performance - not guaranteed values

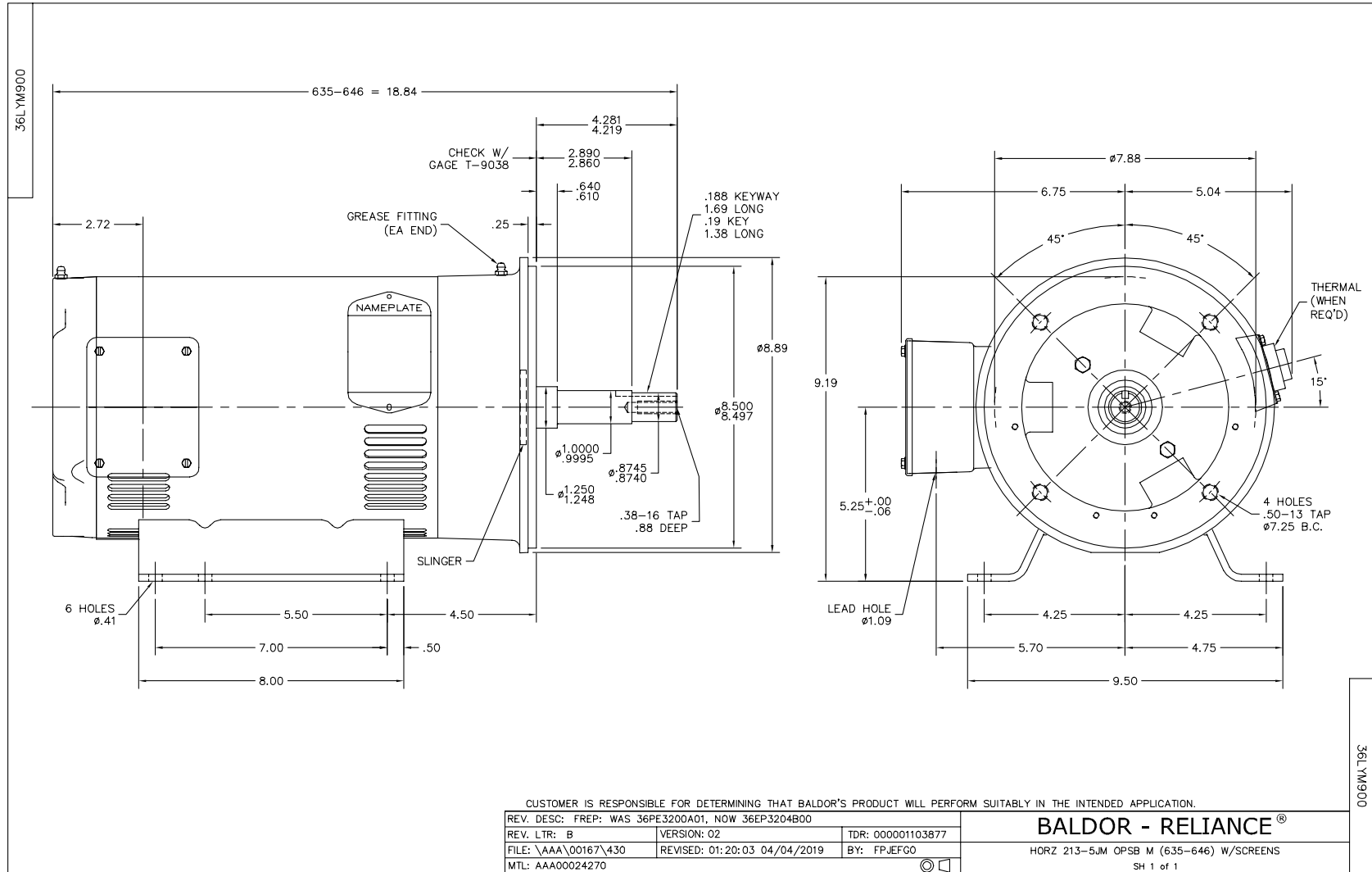
<b>Winding: 36WGS915-R001</b>		<b>Type: 3644M</b>		<b>Enclosure: OPSB</b>			
<b>Nameplate Data</b>			<b>230 V, 60 Hz: Low Voltage Connection</b>				
<b>Rated Output (HP)</b>	7.5	<b>Full Load Torque</b>	22.6 LB-FT				
<b>Volts</b>	208-230/460	<b>Start Configuration</b>	direct on line				
<b>Full Load Amps</b>	21-19.8/9.9	<b>Breakdown Torque</b>	75.2 LB-FT				
<b>R.P.M.</b>	1750	<b>Pull-up Torque</b>	42.4 LB-FT				
<b>Hz</b>	60 <b>Phase</b>	3	<b>Locked-rotor Torque</b>	51.3 LB-FT			
<b>NEMA Design Code</b>	A	<b>KVA Code</b>	J	<b>Starting Current</b>	141 A		
<b>Service Factor (S.F.)</b>	1.15		<b>No-load Current</b>	9.44 A			
<b>NEMA Nom. Eff.</b>	88.5	<b>Power Factor</b>	80	<b>Line-line Res. @ 25°C</b>	0.437 Ω		
<b>Rating - Duty</b>	40C AMB-CONT		<b>Temp. Rise @ Rated Load</b>	65°C			
<b>S.F. Amps</b>			<b>Temp. Rise @ S.F. Load</b>	79°C			
			<b>Locked-rotor Power Factor</b>	40.4			
			<b>Rotor inertia</b>	0.41 LB-FT <sup>2</sup>			

**Load Characteristics 230 V, 60 Hz, 7.5 HP**

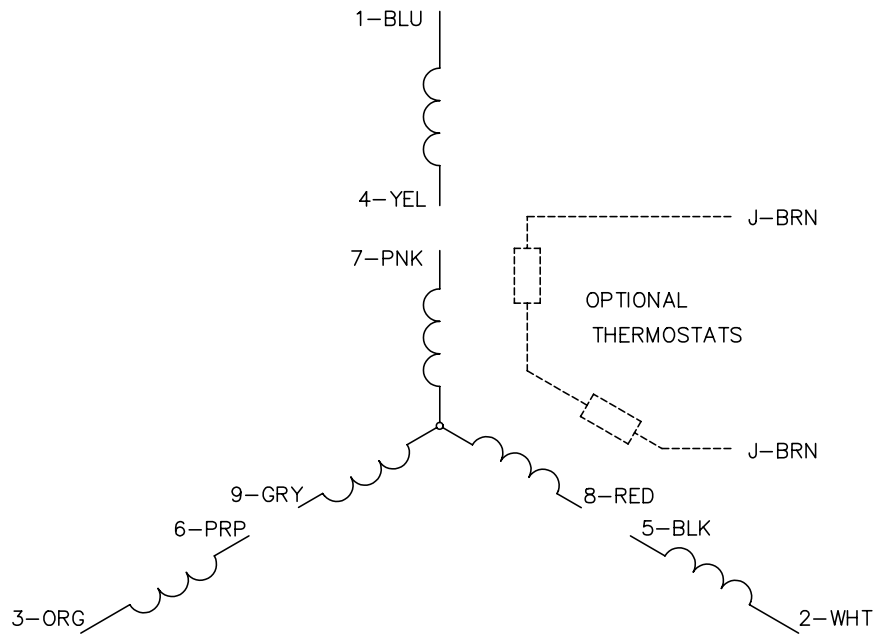
<b>% of Rated Load</b>	<b>25</b>	<b>50</b>	<b>75</b>	<b>100</b>	<b>125</b>	<b>150</b>	<b>S.F.</b>
<b>Power Factor</b>	39	62	74	81	83	84	84
<b>Efficiency</b>	83.7	89.2	89.2	88.8	87	85.3	89
<b>Speed</b>	1788	1776	1762	1748	1731	1713	1750
<b>Line amperes</b>	10.4	12.7	16.1	19.7	24.2	29.2	21.7

Performance Graph at 230V, 60Hz, 7.5HP Typical performance - Not guaranteed values

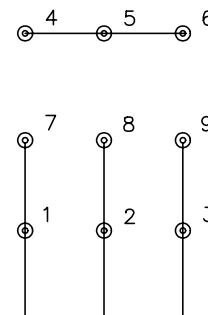




CD0005

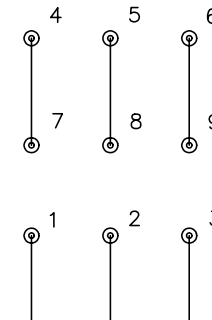


LOW VOLTAGE  
(2Y)



LINE

HIGH VOLTAGE  
(1Y)



LINE

NOTES:

1. INTERCHANGE ANY TWO LINE LEADS TO REVERSE ROTATION.
2. OPTIONAL THERMOSTATS ARE PROVIDED WHEN SPECIFIED.
3. ACTUAL NUMBER OF INTERNAL PARALLEL CIRCUITS MAY BE A MULTIPLE OF THOSE SHOWN ABOVE.
4. LEAD COLORS ARE OPTIONAL. LEADS MUST ALWAYS BE NUMBERED AS SHOWN.

REV. DESC: REVISE TO SHOW OPTIONAL COLORS

REV. LTR: E BY: JLP

REVISED: 01/19/99 10:15

TDR: 0171435

90000

FILE: AAA00005140

MDL: -

MTL: -

**BALDOR ELECTRIC Co.**

3PH, DV, 9 LEADS

CD0005