

**BALDOR® • RELIANCE** 

**Product Information Packet**

**JMM3311T-5**

**7.5HP,1750RPM,3PH,60HZ,213JM,3644M,OPSB**

Part Detail							
Revision:	F	Status:	INA/A	Change #:		Proprietary:	No
Type:	AC	Elec. Spec:	36WGS954	CD Diagram:	CD0006	Mfg Plant:	
Mech. Spec:	36M900	Layout:	36LYM900	Poles:	04	Created Date:	06-04-2012
Base:	RG	Eff. Date:	03-08-2016	Leads:	3#16		

Specs			
Catalog Number:	JMM3311T-5	Inverter Code:	Not Inverter
Enclosure:	OPSB	KVA Code:	J
Frame:	213JM	Lifting Lugs:	No Lifting Lugs
Frame Material:	Steel	Locked Bearing Indicator:	Locked Bearing
Output @ Frequency:	7.500 HP @ 60 HZ	Motor Lead Quantity/Wire Size:	3 @ 16 AWG
Synchronous Speed @ Frequency:	1800 RPM @ 60 HZ	Motor Lead Exit:	Ko Box
Voltage @ Frequency:	575.0 V @ 60 HZ	Motor Lead Termination:	Flying Leads
XP Class and Group:	None	Motor Type:	3644M
XP Division:	Not Applicable	Mounting Arrangement:	F1
Agency Approvals:	UR	Power Factor:	80
	CSA	Product Family:	General Purpose
Auxillary Box:	No Auxillary Box	Pulley End Bearing Type:	Ball
Auxillary Box Lead Termination:	None	Pulley Face Code:	C-Face
Base Indicator:	Rigid	Pulley Shaft Indicator:	Tapped & Key
Bearing Grease Type:	Polyrex EM (-20F +300F)	Rodent Screen:	Included
Blower:	None	Shaft Extension Location:	Pulley End
Current @ Voltage:	7.900 A @ 575.0 V	Shaft Ground Indicator:	No Shaft Grounding
Design Code:	A	Shaft Rotation:	Reversible

<b>Drip Cover:</b>	No Drip Cover	<b>Shaft Slinger Indicator:</b>	Shaft Slinger
<b>Duty Rating:</b>	CONT	<b>Speed Code:</b>	Single Speed
<b>Electrically Isolated Bearing:</b>	Not Electrically Isolated	<b>Motor Standards:</b>	NEMA
<b>Feedback Device:</b>	NO FEEDBACK	<b>Starting Method:</b>	Direct on line
<b>Front Face Code:</b>	Standard	<b>Thermal Device - Bearing:</b>	None
<b>Front Shaft Indicator:</b>	None	<b>Thermal Device - Winding:</b>	None
<b>Heater Indicator:</b>	No Heater	<b>Vibration Sensor Indicator:</b>	No Vibration Sensor
<b>Insulation Class:</b>	F	<b>Winding Thermal 1:</b>	None
		<b>Winding Thermal 2:</b>	None

Nameplate NP1256L										
CAT.NO.	JMM3311T-5									
SPEC.	36M900S954H1									
HP	7.5									
VOLTS	575									
AMP	7.9									
RPM	1750									
FRAME	213JM				HZ	60			PH	3
SER.F.	1.15		CODE	J	DES	A		CLASS	F	
NEMA-NOM-EFF	88.5		PF	80						
RATING	40C AMB-CONT									
CC	010A				USABLE AT 208V					
DE	6307				ODE	6205				
ENCL	OPSB		SN							

**AC Induction Motor Performance Data**

Record # 38667

Typical performance - not guaranteed values

Winding: 36WGS954-R001		Type: 3644M	Enclosure: OPSB	
<b>Nameplate Data</b>			<b>575 V, 60 Hz: Single Voltage Motor</b>	
Rated Output (HP)	7.5	Full Load Torque	22.6 LB-FT	
Volts	575	Start Configuration	direct on line	
Full Load Amps	7.9	Breakdown Torque	75.7 LB-FT	
R.P.M.	1750	Pull-up Torque	42.7 LB-FT	
Hz	60 Phase	3	Locked-rotor Torque	51.7 LB-FT
NEMA Design Code	A KVA Code	J	Starting Current	57 A
Service Factor (S.F.)	1.15	No-load Current	3.83 A	
NEMA Nom. Eff.	88.5 Power Factor	80	Line-line Res. @ 25°C	2.75 Ω
Rating - Duty	40C AMB-CONT	Temp. Rise @ Rated Load	65°C	
S.F. Amps		Temp. Rise @ S.F. Load	80°C	

**Load Characteristics 575 V, 60 Hz, 7.5 HP**

% of Rated Load	25	50	75	100	125	150	S.F.
Power Factor	39	62	73	80	83	84	82
Efficiency	83.6	89.1	89.1	88.7	87.1	85.3	87.7
Speed	1789	1776	1763	1748	1732	1713	1738
Line amperes	4.2	5.12	6.45	7.91	9.69	11.7	8.98

Performance Graph at 575V, 60Hz, 7.5HP Typical performance - Not guaranteed values

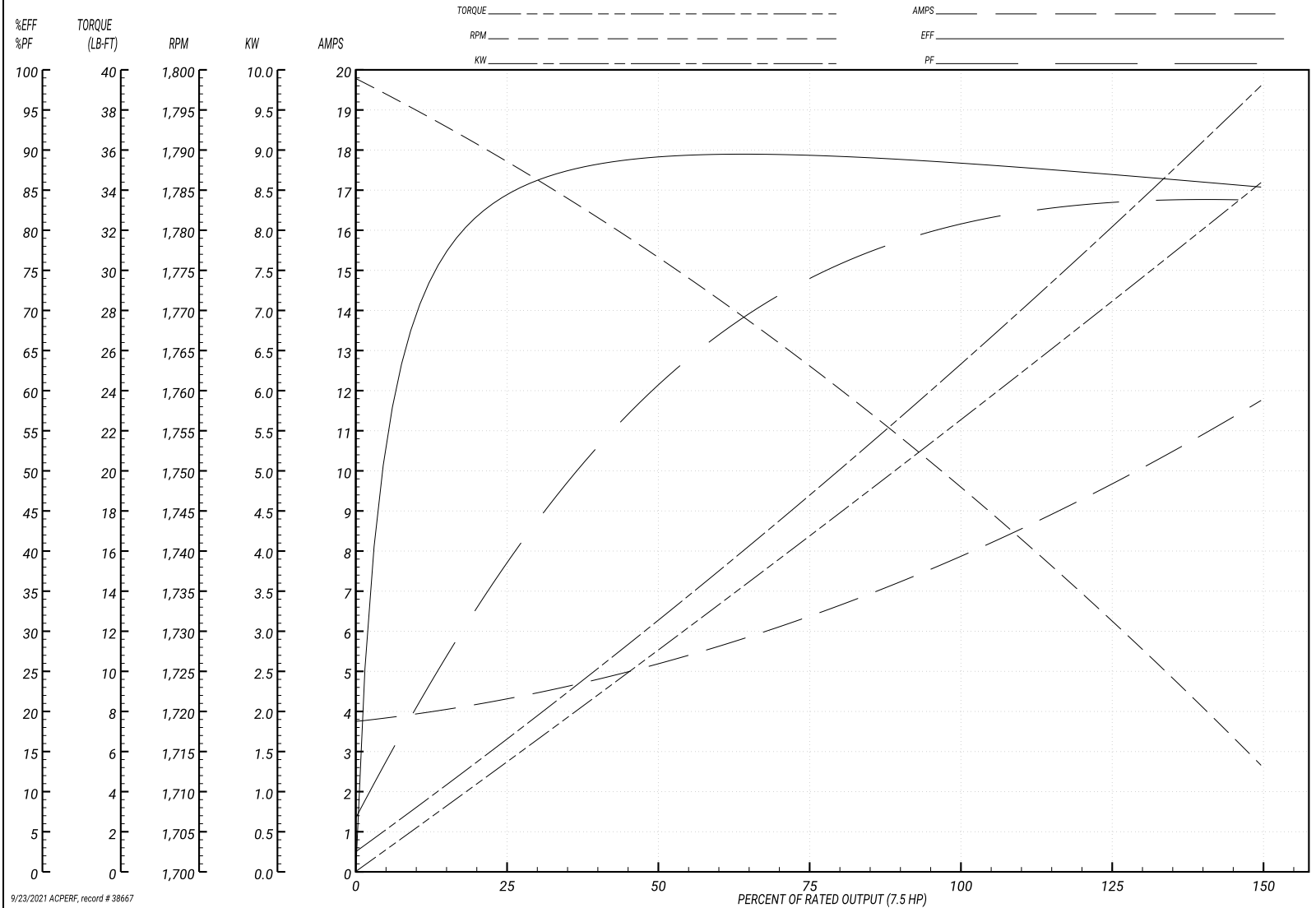
**BALDOR ELECTRIC COMPANY**

WINDING # 36WGS954

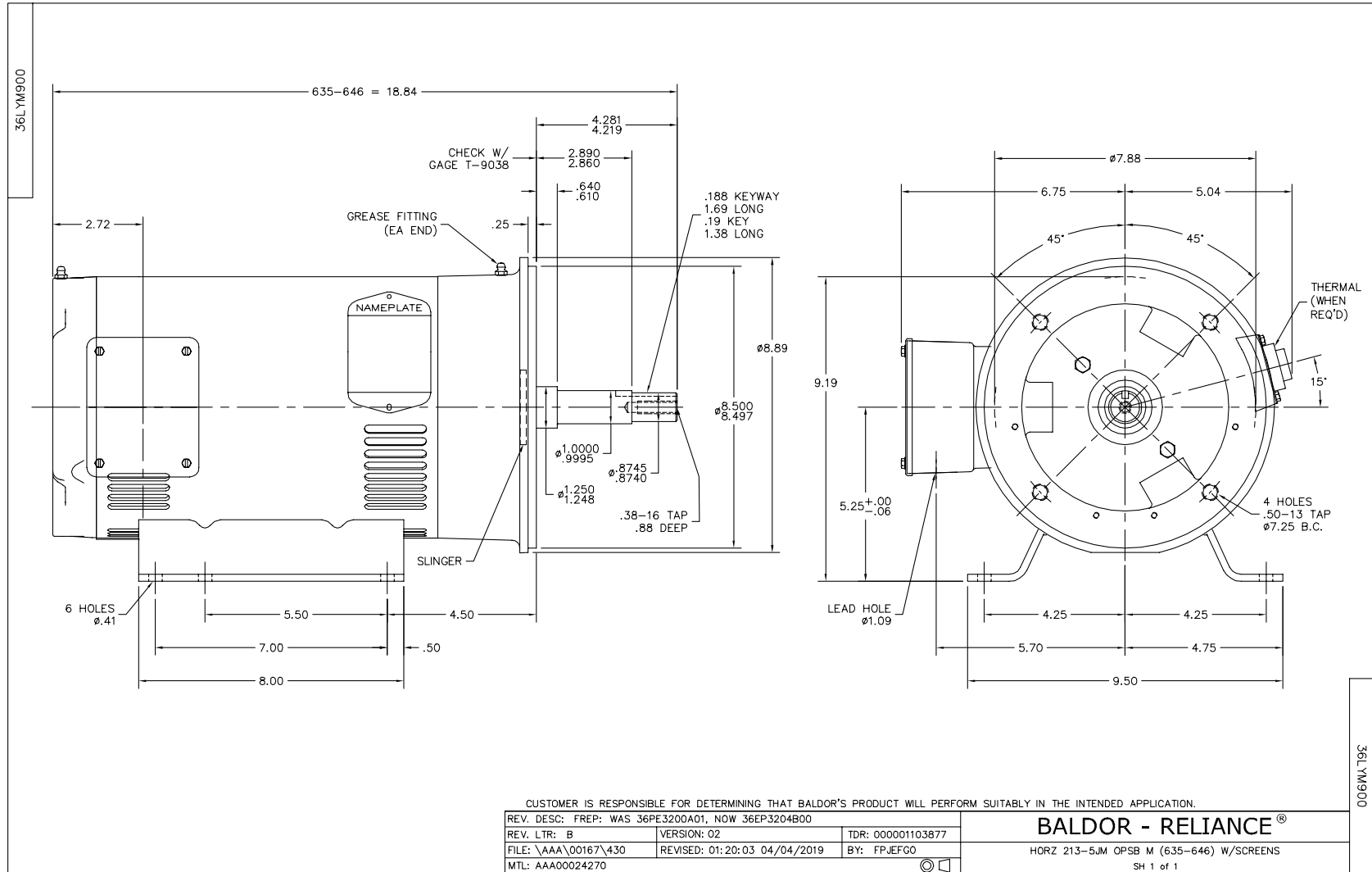
Typical performance - not guaranteed values.

7.5 HP 3 PH 60 HZ 1750 RPM 575 V 3644M

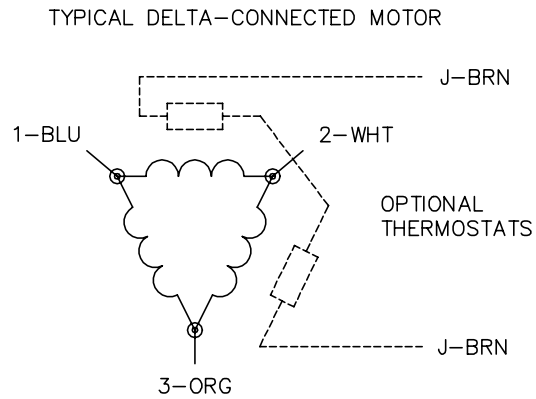
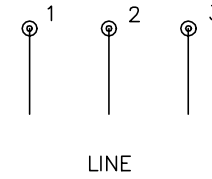
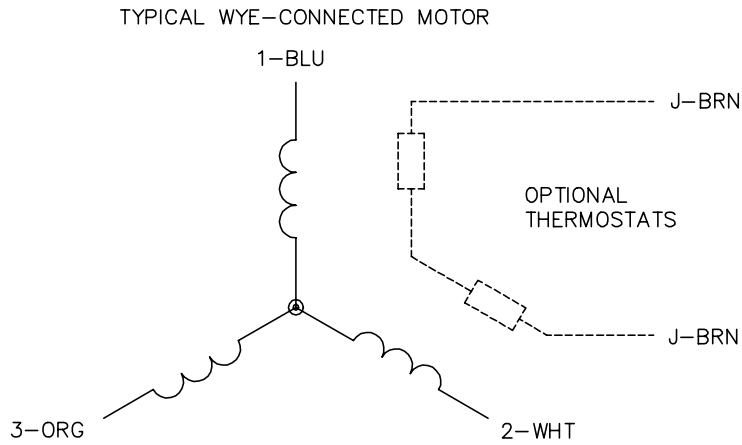
TORQUES(LB-FT): PO=75.7 PU=42.7 LR=51.7 LRA=57



9/23/2021 ACPERF, record # 38667



CD0006



NOTES:

1. THREE LEAD MOTOR MAY BE EITHER WYE CONNECTED OR DELTA CONNECTED.
2. INTERCHANGE ANY TWO LINE LEADS TO REVERSE ROTATION.
3. OPTIONAL THERMOSTATS ARE PROVIDED WHEN SPECIFIED.
4. ACTUAL NUMBER OF INTERNAL PARALLEL CIRCUITS MAY VARY.
5. LEAD COLORS ARE OPTIONAL. LEADS MUST BE NUMBERED AS SHOWN.

CD0006

REV. DESC: ADD CLASS CONN00000007		
REV. LTR: E	VERSION: 01	TDR: 000001099922
FILE: \AAA\00005\141	REVISED: 10:24:49 02/19/2019	BY: ENBRIRO
MTL: -		

**BALDOR - RELIANCE®**

3PH, SV, 3 LEADS, WYE OR DELTA CONNECTED

SH 1 of 1