

BALDOR® • RELIANCE 

Product Information Packet

JMM3313T-5

10HP,1765RPM,3PH,60HZ,215JM,3733M,OPSB,F

Part Detail							
Revision:	P	Status:	INA/A	Change #:		Proprietary:	No
Type:	AC	Elec. Spec:	37WGS282	CD Diagram:	CD0006	Mfg Plant:	
Mech. Spec:	37F696	Layout:	37LYF696	Poles:	04	Created Date:	11-04-2009
Base:	RG	Eff. Date:	03-08-2016	Leads:	3#14		

Specs			
Catalog Number:	JMM3313T-5	KVA Code:	J
Enclosure:	ODP	Lifting Lugs:	Standard Lifting Lugs
Frame:	215JM	Locked Bearing Indicator:	Locked Bearing
Frame Material:	Steel	Motor Lead Quantity/Wire Size:	3 @ 14 AWG
Output @ Frequency:	10.000 HP @ 60 HZ	Motor Lead Exit:	Ko Box
Synchronous Speed @ Frequency:	1800 RPM @ 60 HZ	Motor Lead Termination:	Flying Leads
Voltage @ Frequency:	575.0 V @ 60 HZ	Motor Type:	3733M
XP Division:	Not Applicable	Mounting Arrangement:	F1
Agency Approvals:	CSA	Power Factor:	78
	UR	Product Family:	General Purpose
Auxillary Box:	No Auxillary Box	Pulley End Bearing Type:	Ball
Auxillary Box Lead Termination:	None	Pulley Face Code:	C-Face
Base Indicator:	RG	Pulley Shaft Indicator:	Tapped & Key
Bearing Grease Type:	Polyrex EM (-20F +300F)	Rodent Screen:	Included
Blower:	None	Shaft Extension Location:	Pulley End
Current @ Voltage:	10.800 A @ 575.0 V	Shaft Ground Indicator:	No Shaft Grounding
Design Code:	A	Shaft Rotation:	Reversible
Drip Cover:	No Drip Cover	Shaft Slinger Indicator:	Shaft Slinger

Duty Rating:	CONT	Speed Code:	Single Speed
Electrically Isolated Bearing:	Not Electrically Isolated	Motor Standards:	NEMA
Feedback Device:	NO FEEDBACK	Starting Method:	Direct on line
Front Face Code:	Standard	Thermal Device - Bearing:	None
Front Shaft Indicator:	None	Thermal Device - Winding:	None
Heater Indicator:	No Heater	Vibration Sensor Indicator:	No Vibration Sensor
Insulation Class:	B	Winding Thermal 1:	None
Inverter Code:	Not Inverter	Winding Thermal 2:	None

Nameplate NP1256L										
CAT.NO.	JMM3313T-5									
SPEC.	37F696S282H1									
HP	10									
VOLTS	575									
AMP	10.8									
RPM	1765									
FRAME	215JM				HZ	60			PH	3
SER.F.	1.15		CODE	J	DES	A		CLASS	B	
NEMA-NOM-EFF	89.5		PF	78						
RATING	40C AMB-CONT									
CC	010A				USABLE AT 208V					
DE	6309				ODE	6206				
ENCL	OPSB		SN							

AC Induction Motor Performance Data

Record # 37126

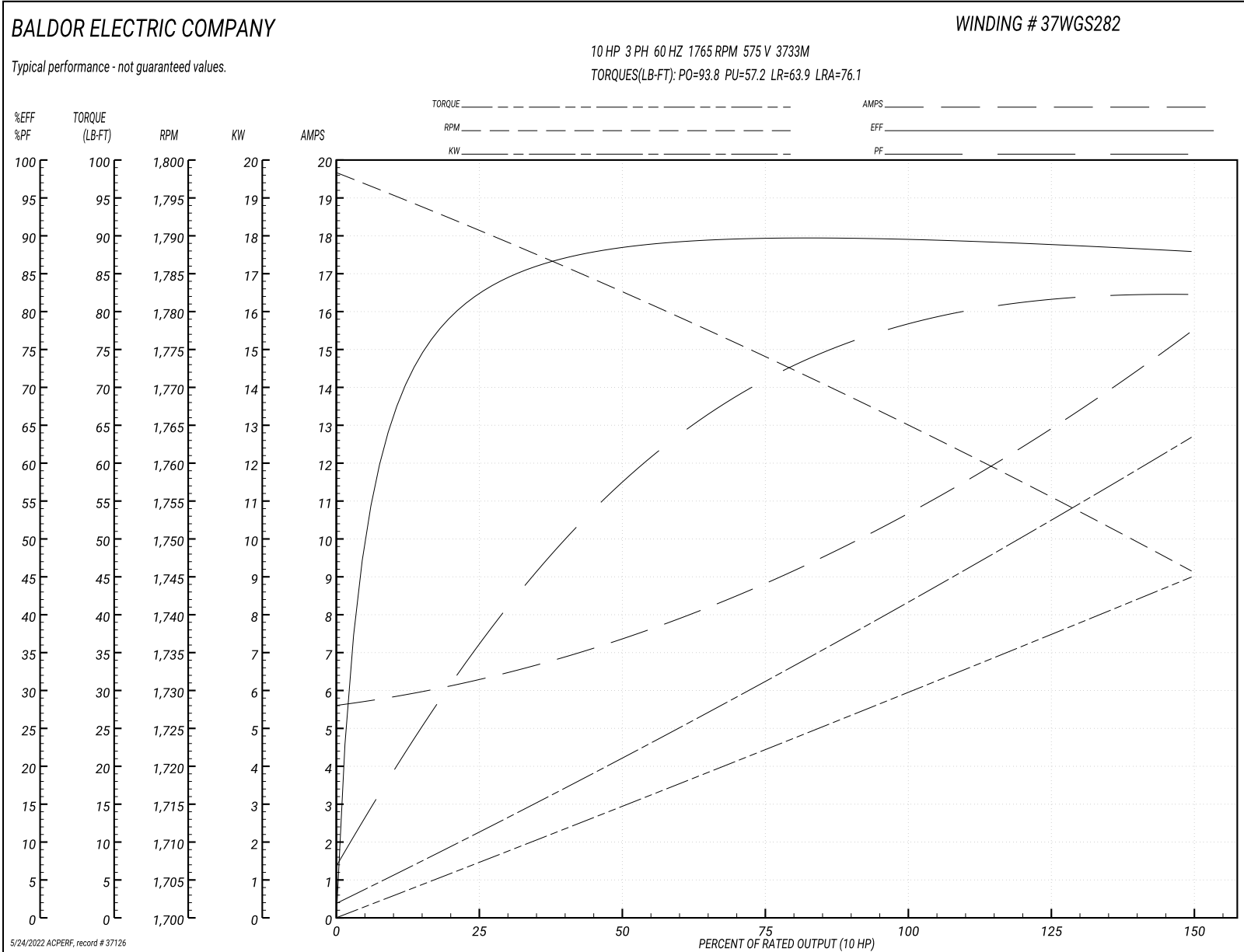
Typical performance - not guaranteed values

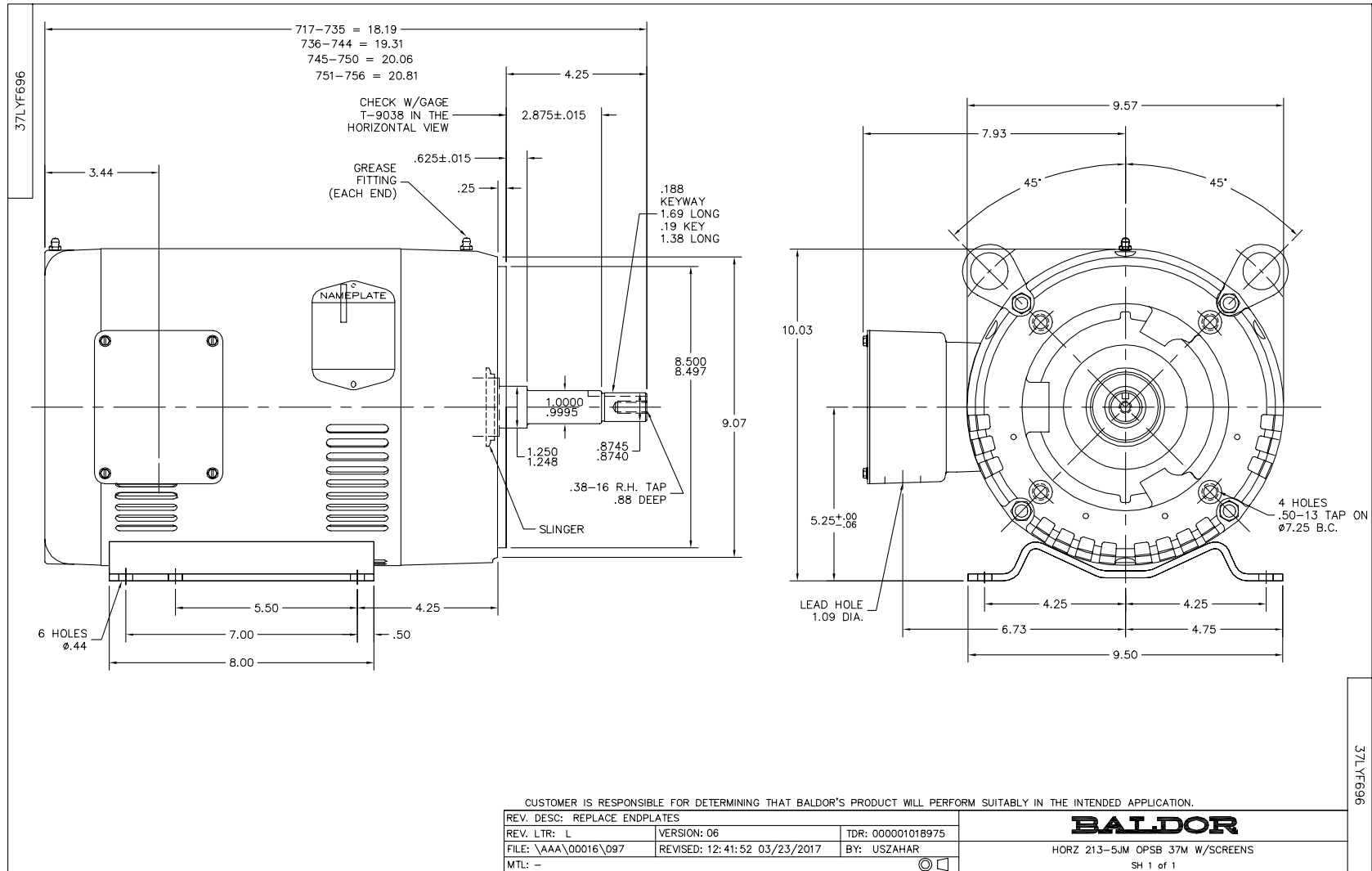
Winding: 37WGS282-R002		Type: 3733M		Enclosure: OPSB	
Nameplate Data			575 V, 60 Hz: Single Voltage Motor		
Rated Output (HP)	10	Full Load Torque	29.7 LB-FT		
Volts	575	Start Configuration	direct on line		
Full Load Amps	10.8	Breakdown Torque	93.8 LB-FT		
R.P.M.	1765	Pull-up Torque	57.2 LB-FT		
Hz	60 Phase	3	Locked-rotor Torque	63.9 LB-FT	
NEMA Design Code	A KVA Code	J	Starting Current	76.1 A	
Service Factor (S.F.)	1.15	No-load Current	5.74 A		
NEMA Nom. Eff.	89.5 Power Factor	78	Line-line Res. @ 25°C	1.8 Ω	
Rating - Duty	40C AMB-CONT		Temp. Rise @ Rated Load	48°C	
S.F. Amps			Temp. Rise @ S.F. Load	57°C	
			Locked-rotor Power Factor	39	
			Rotor inertia	0.811 LB-FT ²	

Load Characteristics 575 V, 60 Hz, 10 HP

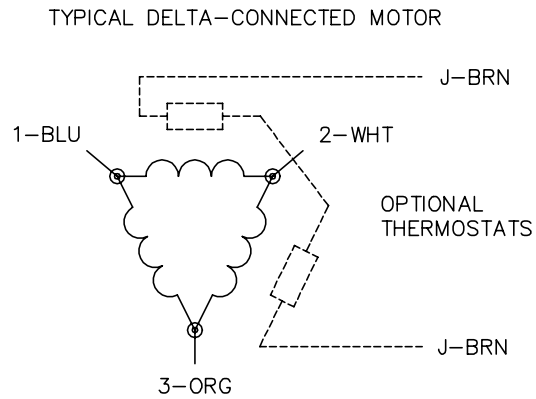
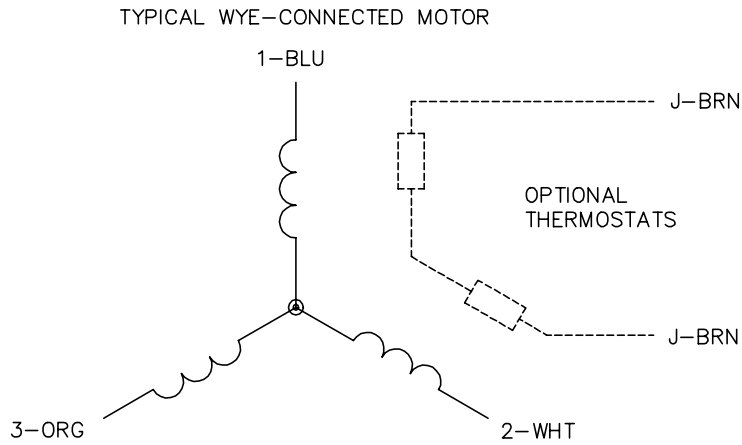
% of Rated Load	25	50	75	100	125	150	S.F.
Power Factor	36	58	71	77	81	83	79
Efficiency	81.9	88.2	89.8	89.6	89	87.9	89.2
Speed	1790	1783	1774	1765	1757	1745	1760
Line amperes	6.1	7.23	8.82	10.8	12.9	15.4	12.1

Performance Graph at 575V, 60Hz, 10.0HP Typical performance - Not guaranteed values





CD0006



NOTES:

1. THREE LEAD MOTOR MAY BE EITHER WYE CONNECTED OR DELTA CONNECTED.
2. INTERCHANGE ANY TWO LINE LEADS TO REVERSE ROTATION.
3. OPTIONAL THERMOSTATS ARE PROVIDED WHEN SPECIFIED.
4. ACTUAL NUMBER OF INTERNAL PARALLEL CIRCUITS MAY VARY.
5. LEAD COLORS ARE OPTIONAL. LEADS MUST BE NUMBERED AS SHOWN.

CD0006

REV. DESC: ADD CLASS CONN00000007		
REV. LTR: E	VERSION: 01	TDR: 000001099922
FILE: \AAA\00005\141	REVISED: 10:24:49 02/19/2019	BY: ENBRIRO
MTL: -	© □	

BALDOR - RELIANCE®

3PH, SV, 3 LEADS, WYE OR DELTA CONNECTED

SH 1 of 1