

BALDOR® • RELIANCE 

Product Information Packet

JMM3314T-5

15HP,3500RPM,3PH,60HZ,215JM,3731M,OPSB,F

Part Detail							
Revision:	E	Status:	INA/A	Change #:		Proprietary:	No
Type:	AC	Elec. Spec:	37WGR357	CD Diagram:	CD0006	Mfg Plant:	
Mech. Spec:	37F696	Layout:	37LYF696	Poles:	02	Created Date:	09-11-2012
Base:	RG	Eff. Date:	03-08-2016	Leads:	3#14		

Specs			
Catalog Number:	JMM3314T-5	Inverter Code:	Not Inverter
Enclosure:	OPSB	KVA Code:	G
Frame:	215JM	Lifting Lugs:	Standard Lifting Lugs
Frame Material:	Steel	Locked Bearing Indicator:	Locked Bearing
Output @ Frequency:	15.000 HP @ 60 HZ	Motor Lead Quantity/Wire Size:	3 @ 14 AWG
Synchronous Speed @ Frequency:	3600 RPM @ 60 HZ	Motor Lead Exit:	Ko Box
Voltage @ Frequency:	575.0 V @ 60 HZ	Motor Lead Termination:	Flying Leads
XP Class and Group:	None	Motor Type:	3731M
XP Division:	Not Applicable	Mounting Arrangement:	F1
Agency Approvals:	UR	Power Factor:	86
	CSA	Product Family:	General Purpose
Auxillary Box:	No Auxillary Box	Pulley End Bearing Type:	Ball
Auxillary Box Lead Termination:	None	Pulley Face Code:	C-Face
Base Indicator:	Rigid	Pulley Shaft Indicator:	Tapped & Key
Bearing Grease Type:	Polyrex EM (-20F +300F)	Rodent Screen:	Included
Blower:	None	Shaft Extension Location:	Pulley End
Current @ Voltage:	14.400 A @ 575.0 V	Shaft Ground Indicator:	No Shaft Grounding
Design Code:	B	Shaft Rotation:	Reversible

Drip Cover:	No Drip Cover	Shaft Slinger Indicator:	Shaft Slinger
Duty Rating:	CONT	Speed Code:	Single Speed
Electrically Isolated Bearing:	Not Electrically Isolated	Motor Standards:	NEMA
Feedback Device:	NO FEEDBACK	Starting Method:	Direct on line
Front Face Code:	Standard	Thermal Device - Bearing:	None
Front Shaft Indicator:	None	Thermal Device - Winding:	None
Heater Indicator:	No Heater	Vibration Sensor Indicator:	No Vibration Sensor
Insulation Class:	F	Winding Thermal 1:	None
		Winding Thermal 2:	None

Nameplate NP1256L										
CAT.NO.	JMM3314T-5									
SPEC.	37F696R357H1									
HP	15									
VOLTS	575									
AMP	14.4									
RPM	3500									
FRAME	215JM				HZ	60			PH	3
SER.F.	1.15		CODE	G	DES	B		CLASS	F	
NEMA-NOM-EFF	89.5		PF	86						
RATING	40C AMB-CONT									
CC	010A				USABLE AT 208V					
DE	6309				ODE	6206				
ENCL	OPSB		SN							

AC Induction Motor Performance Data

Record # 39674

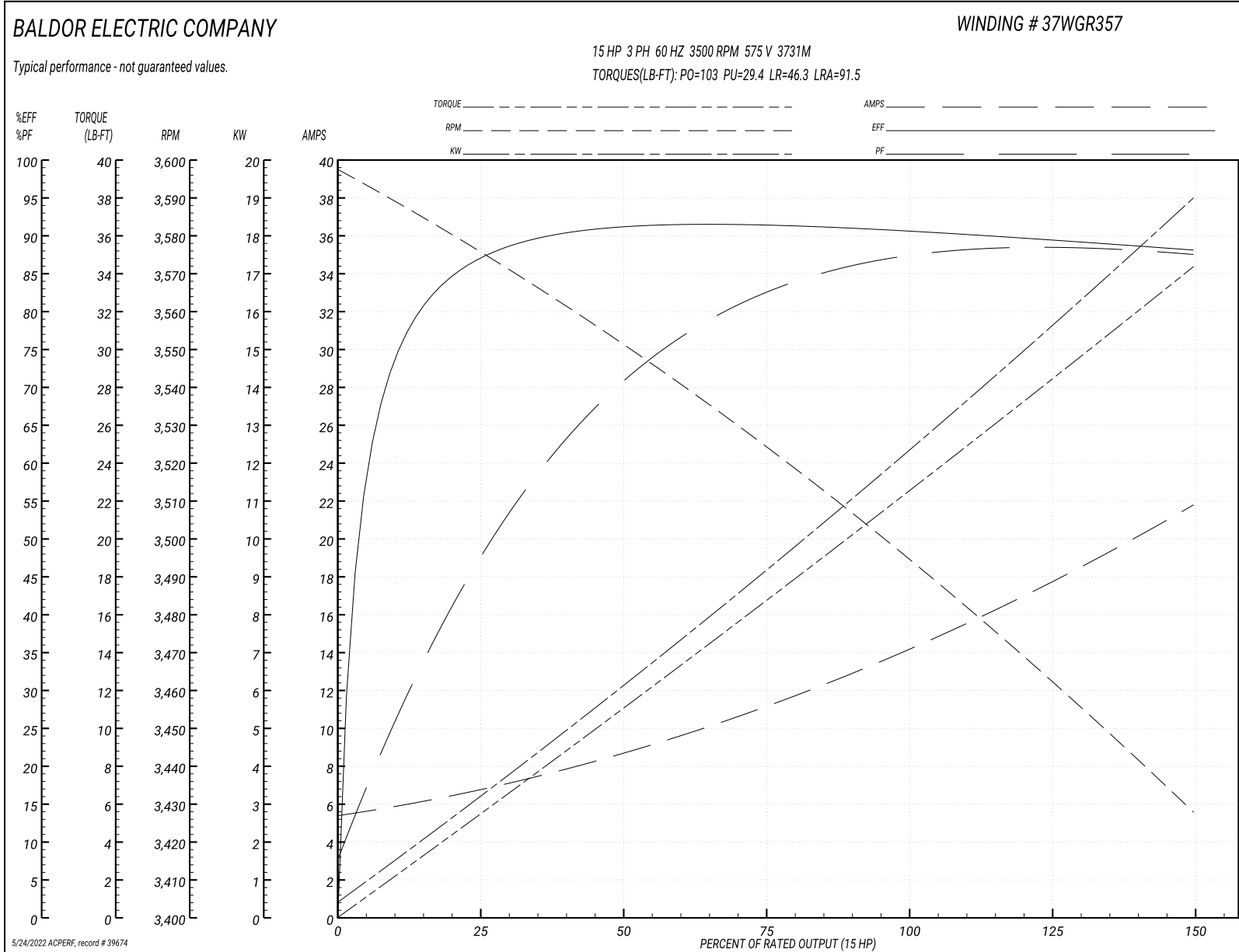
Typical performance - not guaranteed values

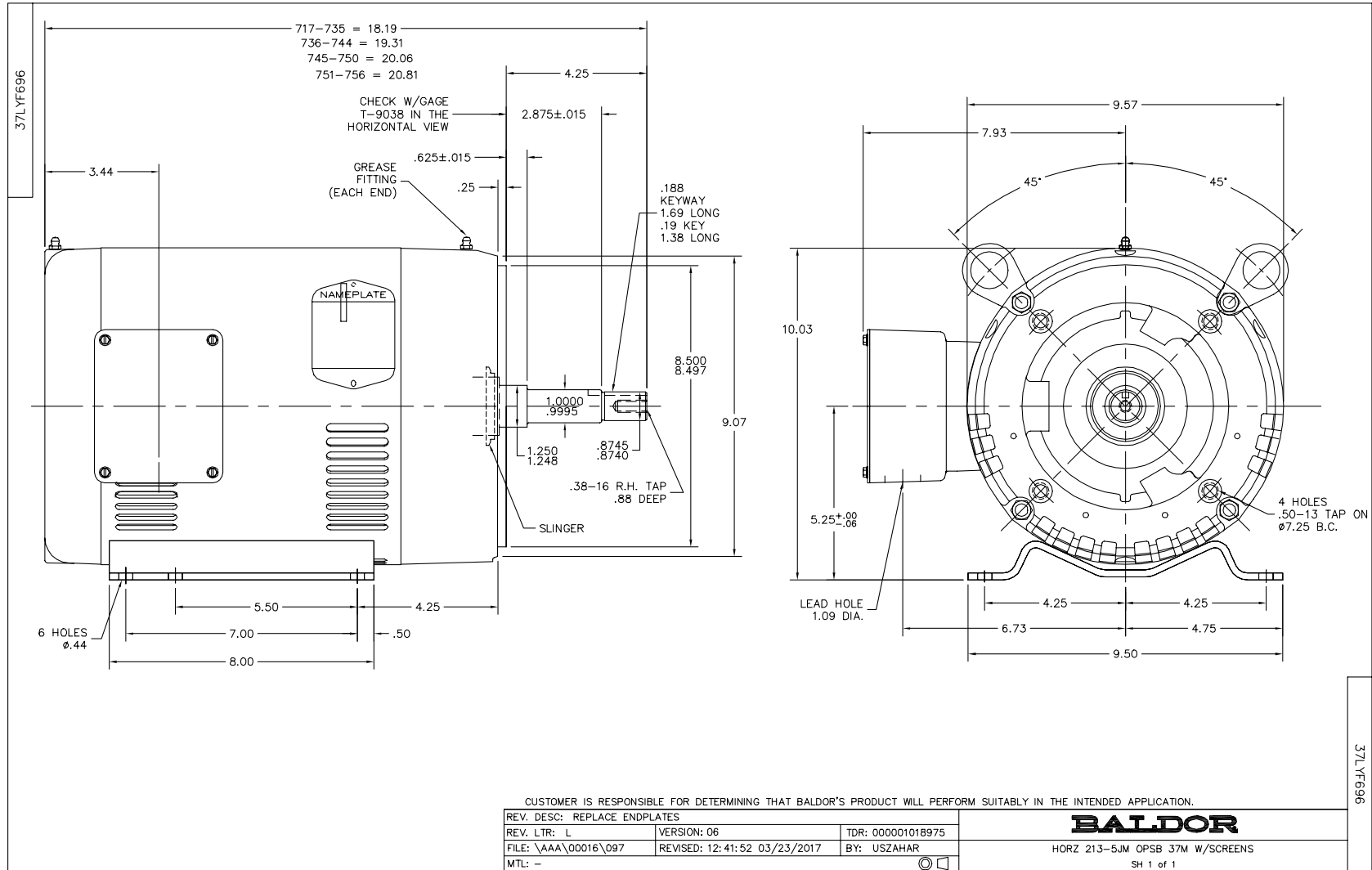
Winding: 37WGR357-R001		Type: 3731M	Enclosure: OPSB
Nameplate Data		575 V, 60 Hz: Single Voltage Motor	
Rated Output (HP)	15	Full Load Torque	22.5 LB-FT
Volts	575	Start Configuration	direct on line
Full Load Amps	14.4	Breakdown Torque	103 LB-FT
R.P.M.	3500	Pull-up Torque	29.4 LB-FT
Hz	60 Phase	Locked-rotor Torque	46.3 LB-FT
NEMA Design Code	B KVA Code	Starting Current	91.5 A
Service Factor (S.F.)	1.15	No-load Current	5.64 A
NEMA Nom. Eff.	89.5 Power Factor	Line-line Res. @ 25°C	1.02 Ω
Rating - Duty	40C AMB-CONT	Temp. Rise @ Rated Load	41°C
S.F. Amps		Temp. Rise @ S.F. Load	50°C
		Locked-rotor Power Factor	33
		Rotor inertia	0.282 LB-FT ²

Load Characteristics 575 V, 60 Hz, 15 HP

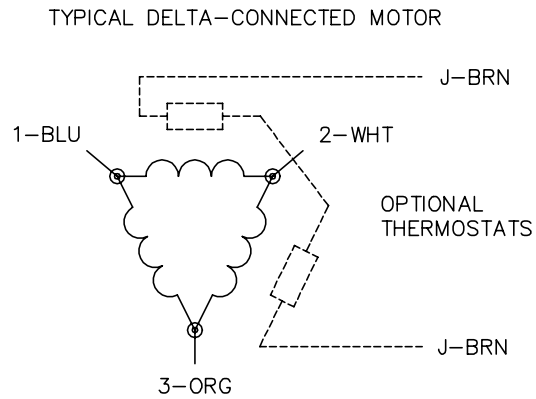
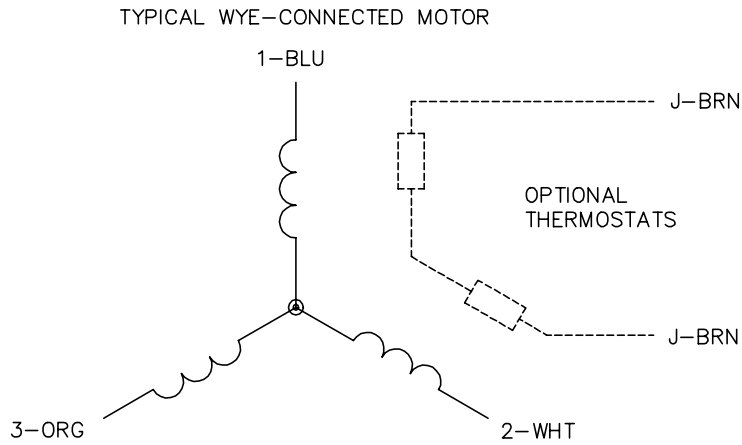
% of Rated Load	25	50	75	100	125	150	S.F.
Power Factor	50	73	81	86	88	88	87
Efficiency	86.5	90.7	91.4	91	89.6	88	90.2
Speed	3574	3551	3525	3496	3463	3427	3476
Line amperes	6.44	8.44	11.3	14.4	17.7	21.7	16.4

Performance Graph at 575V, 60Hz, 15.0HP Typical performance - Not guaranteed values





CD0006



NOTES:

1. THREE LEAD MOTOR MAY BE EITHER WYE CONNECTED OR DELTA CONNECTED.
2. INTERCHANGE ANY TWO LINE LEADS TO REVERSE ROTATION.
3. OPTIONAL THERMOSTATS ARE PROVIDED WHEN SPECIFIED.
4. ACTUAL NUMBER OF INTERNAL PARALLEL CIRCUITS MAY VARY.
5. LEAD COLORS ARE OPTIONAL. LEADS MUST BE NUMBERED AS SHOWN.

CD0006

REV. DESC: ADD CLASS CONN00000007		
REV. LTR: E	VERSION: 01	TDR: 000001099922
FILE: \AAA\00005\141	REVISED: 10:24:49 02/19/2019	BY: ENBRIRO
MTL: -		

BALDOR - RELIANCE®

3PH, SV, 3 LEADS, WYE OR DELTA CONNECTED

SH 1 of 1