

BALDOR® • RELIANCE 

Product Information Packet

JPL1409T

5HP,3500RPM,1PH,60HZ,184,JP,3634LC,OPEN

Part Detail							
Revision:	R	Status:	PRD/A	Change #:		Proprietary:	No
Type:	AC	Elec. Spec:	36WGW925	CD Diagram:	CD0017A02	Mfg Plant:	
Mech. Spec:	36E774	Layout:	36LYE774	Poles:	02	Created Date:	11-10-2005
Base:	RG	Eff. Date:	04-26-2021	Leads:	2#12 A PH,2#16 B PH		

Specs			
Catalog Number:	JPL1409T	Inverter Code:	Not Inverter
Enclosure:	OPEN	KVA Code:	H
Frame:	184JP	Lifting Lugs:	No Lifting Lugs
Frame Material:	Steel	Locked Bearing Indicator:	Locked Bearing
Output @ Frequency:	5.000 HP @ 60 HZ	Motor Lead Quantity/Wire Size:	2 @ 12 AWG, A PH
Synchronous Speed @ Frequency:	3600 RPM @ 60 HZ	Motor Lead Exit:	Ko Box
Voltage @ Frequency:	230.0 V @ 60 HZ	Motor Lead Termination:	Flying Leads
XP Class and Group:	None	Motor Type:	3634LC
XP Division:	Not Applicable	Mounting Arrangement:	F1
Agency Approvals:	CSA	Power Factor:	96
	UR	Product Family:	General Purpose
Auxillary Box:	No Auxillary Box	Pulley End Bearing Type:	Ball
Auxillary Box Lead Termination:	None	Pulley Face Code:	C-Face
Base Indicator:	Rigid	Pulley Shaft Indicator:	Tapped & Key
Bearing Grease Type:	Polyrex EM (-20F +300F)	Rodent Screen:	Included
Blower:	None	Shaft Extension Location:	Pulley End
Current @ Voltage:	21.500 A @ 230.0 V	Shaft Ground Indicator:	No Shaft Grounding
	23.000 A @ 208.0 V	Shaft Rotation:	Reversible

Design Code:	L	Shaft Slinger Indicator:	Shaft Slinger
Drip Cover:	No Drip Cover	Speed Code:	Single Speed
Duty Rating:	CONT	Motor Standards:	NEMA
Electrically Isolated Bearing:	Not Electrically Isolated	Starting Method:	Direct on line
Feedback Device:	NO FEEDBACK	Thermal Device - Bearing:	None
Front Face Code:	Standard	Thermal Device - Winding:	None
Front Shaft Indicator:	None	Vibration Sensor Indicator:	No Vibration Sensor
Heater Indicator:	No Heater	Winding Thermal 1:	None
Insulation Class:	F	Winding Thermal 2:	None

Nameplate NP1256L										
CAT.NO.	JPL1409T									
SPEC.	36E774W925G1									
HP	5									
VOLTS	230									
AMP	21.5									
RPM	3500									
FRAME	184JP				HZ	60			PH	1
SER.F.	1.15		CODE	H	DES	L		CLASS	F	
NEMA-NOM-EFF	80		PF	96						
RATING	40C AMB-CONT									
CC								USABLE AT 208V	23	
DE	6207			ODE	6205					
ENCL	OPEN		SN							

AC Induction Motor Performance Data

Record # 65030

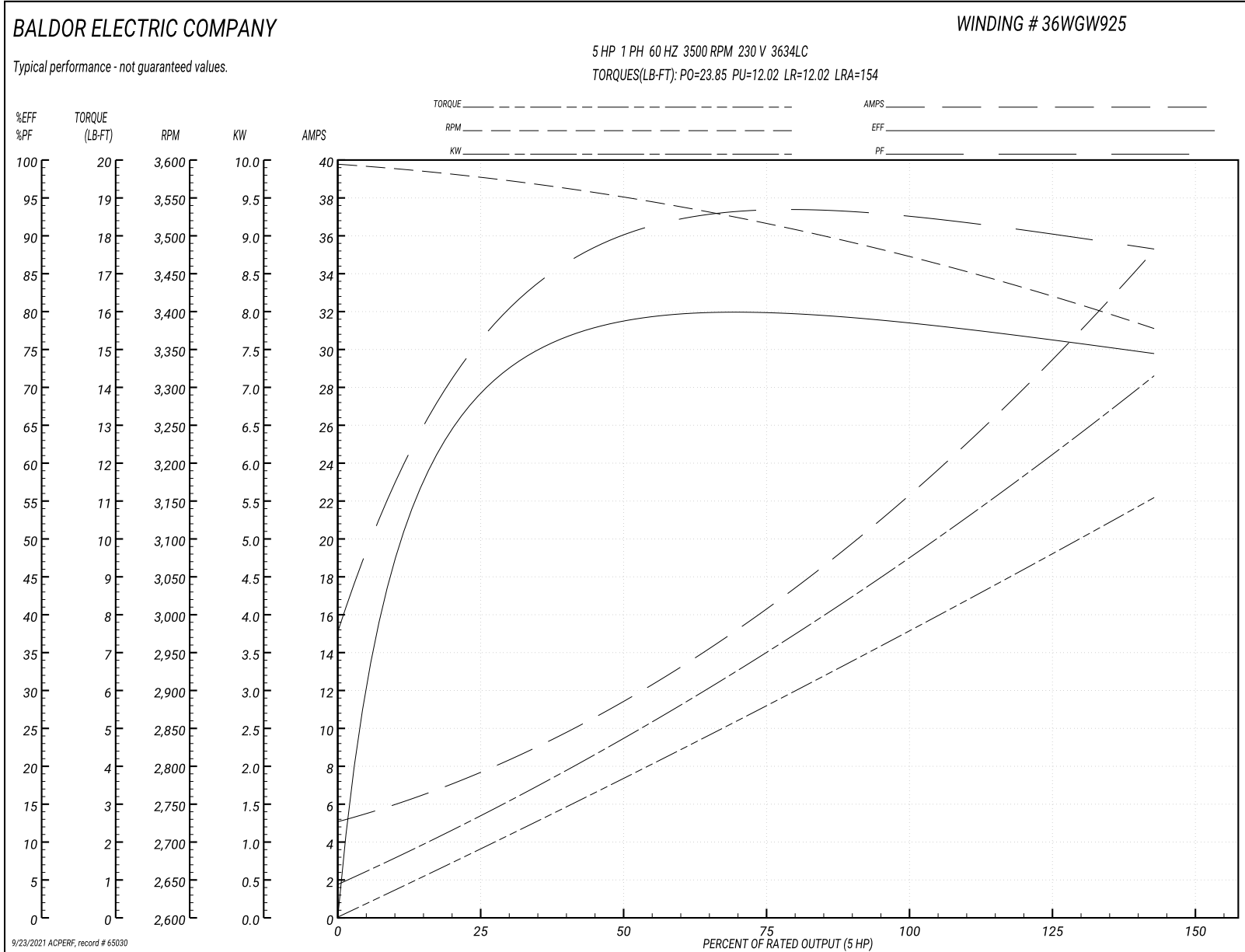
Typical performance - not guaranteed values

Winding: 36WG925-R001			Type: 3634LC	Enclosure: OPEN	
Nameplate Data			230 V, 60 Hz: Single Voltage Motor		
Rated Output (HP)	5		Full Load Torque	7.46 LB-FT	
Volts	230		Start Configuration	direct on line	
Full Load Amps	21.5		Breakdown Torque	23.85 LB-FT	
R.P.M.	3500		Pull-up Torque	12.02 LB-FT	
Hz	60	Phase	1	Locked-rotor Torque	12.02 LB-FT
NEMA Design Code	L	KVA Code	H	Starting Current	154 A
Service Factor (S.F.)	1.15			No-load Current	4.9 A
NEMA Nom. Eff.	75	Power Factor	88	Line-line Res. @ 25°C	0.316 Ω A Ph 0.937 Ω B Ph
Rating - Duty		40C AMB-CONT		Temp. Rise @ Rated Load	83°C
S.F. Amps				Temp. Rise @ S.F. Load	96°C
				Locked-rotor Power Factor	76.8
				Rotor inertia	0.153 LB-FT ²

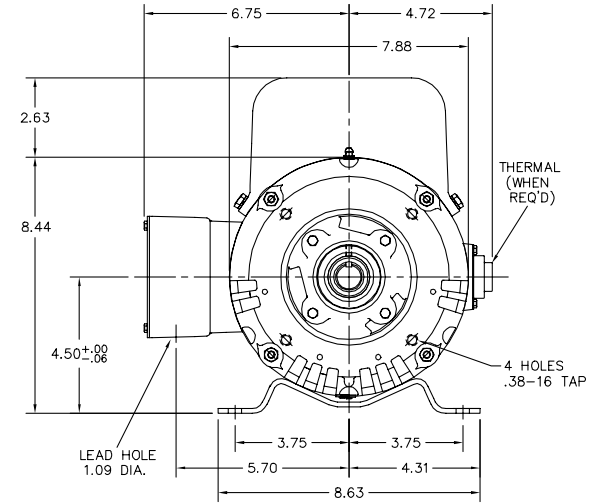
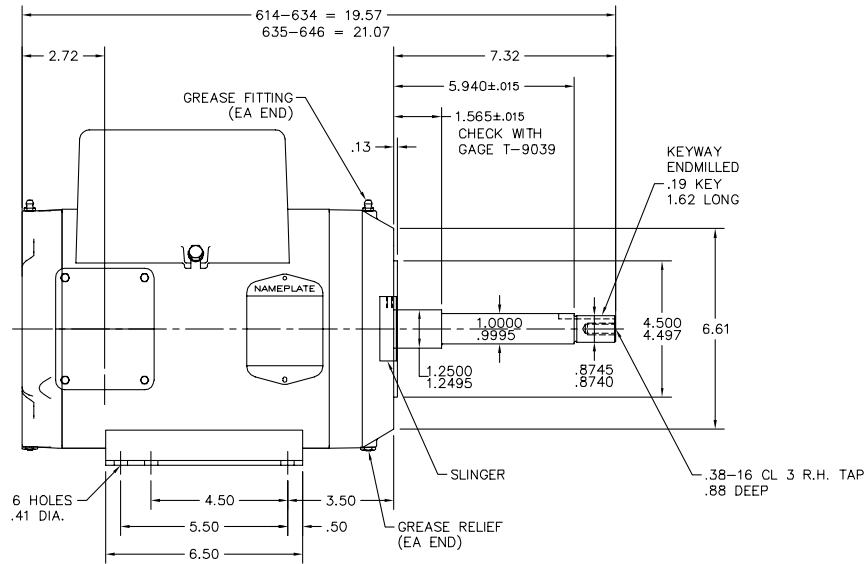
Load Characteristics 230 V, 60 Hz, 5 HP

% of Rated Load	25	50	75	100	125	150	S.F.
Power Factor	81	89	92	93	92	88	92
Efficiency	66.1	77.2	79.8	79.6	77.5	73.7	78.3
Speed	3574	3546	3515	3480	3434	3372	3452
Line amperes	7.76	11.85	16.56	21.72	27.7	35.76	25.3

Performance Graph at 230V, 60Hz, 5.0HP Typical performance - Not guaranteed values



36LYE774



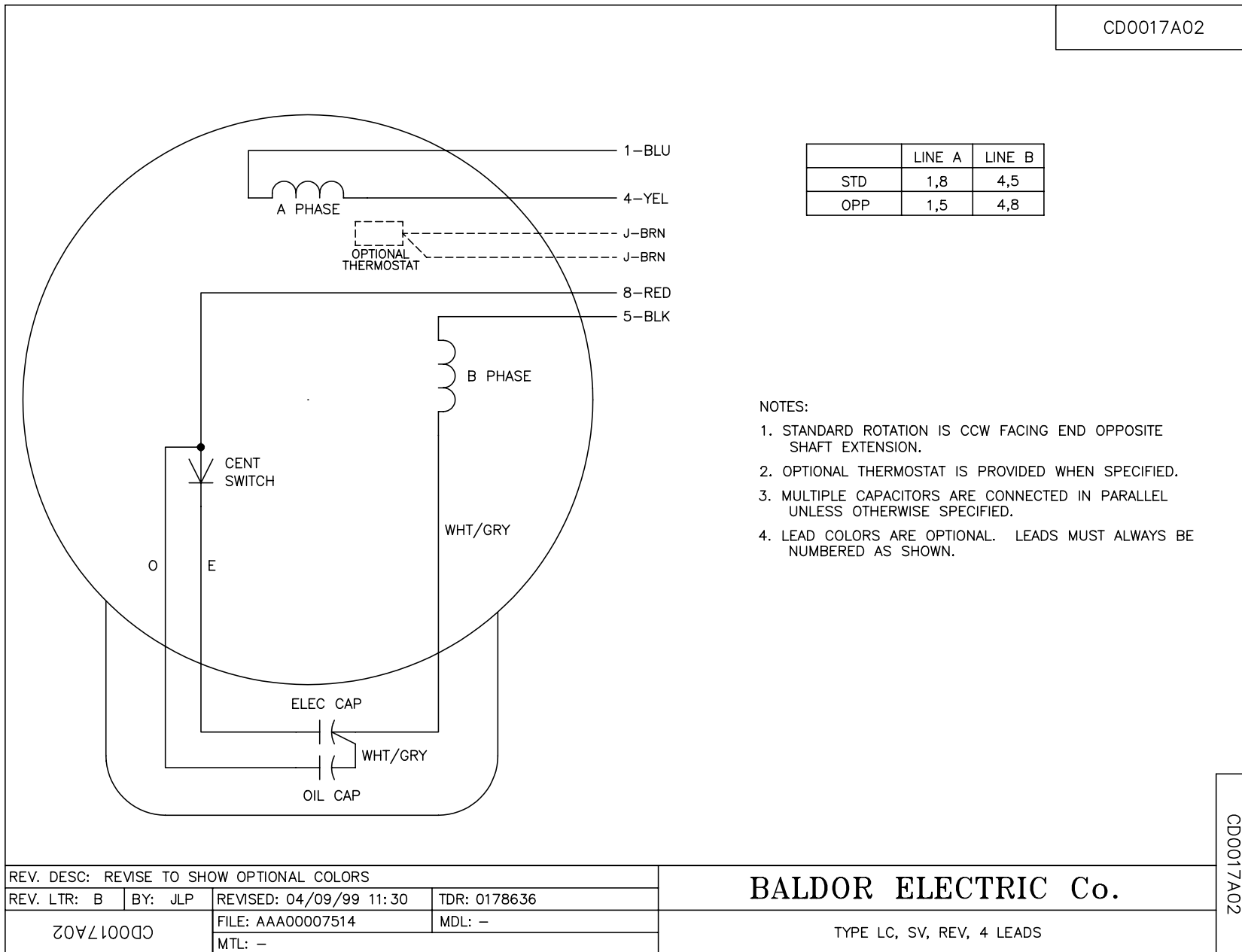
36LYE774

CUSTOMER IS RESPONSIBLE FOR DETERMINING THAT BALDOR'S PRODUCT WILL PERFORM SUITABLY IN THE INTENDED APPLICATION.

REV. DESC: CHANGE FREP: WAS 36EP3200A25 NOW 36EP3204D00		
REV. LTR: J	VERSION: 03	TDR: 000001105395
FILE: \AAA\00013\544	REVISED: 11:52:33 04/10/2019	BY: FGCHAH1
MTL: -		

BALDOR - RELIANCE®
HORZ 182-4JP OPEN 36L-LC W/SCREENS
SH 1 of 1

CD0017A02



	LINE A	LINE B
STD	1,8	4,5
OPP	1,5	4,8

NOTES:

1. STANDARD ROTATION IS CCW FACING END OPPOSITE SHAFT EXTENSION.
2. OPTIONAL THERMOSTAT IS PROVIDED WHEN SPECIFIED.
3. MULTIPLE CAPACITORS ARE CONNECTED IN PARALLEL UNLESS OTHERWISE SPECIFIED.
4. LEAD COLORS ARE OPTIONAL. LEADS MUST ALWAYS BE NUMBERED AS SHOWN.

REV. DESC: REVISE TO SHOW OPTIONAL COLORS			
REV. LTR: B	BY: JLP	REVISED: 04/09/99 11:30	TDR: 0178636
CD0017A02		FILE: AAA00007514	MDL: -
		MTL: -	

BALDOR ELECTRIC Co.

TYPE LC, SV, REV, 4 LEADS

CD0017A02