

BALDOR® • RELIANCE 

Product Information Packet

JPL1511T

10HP,3450RPM,1PH,60HZ,215JP,3740L,OPEN

Part Detail							
Revision:	BB	Status:	PRD/A	Change #:		Proprietary:	No
Type:	AC	Elec. Spec:	37WG047	CD Diagram:	CD0017A01	Mfg Plant:	
Mech. Spec:	37E285	Layout:	37LYE285	Poles:	02	Created Date:	
Base:	RG	Eff. Date:	06-14-2021	Leads:	2#8 A PH,2#14 B PH		

Specs			
Catalog Number:	JPL1511T	Inverter Code:	Not Inverter
Enclosure:	OPEN	KVA Code:	G
Frame:	215JP	Lifting Lugs:	Standard Lifting Lugs
Frame Material:	Steel	Locked Bearing Indicator:	Locked Bearing
Output @ Frequency:	10.000 HP @ 60 HZ	Motor Lead Quantity/Wire Size:	2 @ 8 AWG, A PH
Synchronous Speed @ Frequency:	3600 RPM @ 60 HZ	Motor Lead Exit:	Ko Box
Voltage @ Frequency:	230.0 V @ 60 HZ	Motor Lead Termination:	Flying Leads
XP Class and Group:	None	Motor Type:	3740L
XP Division:	Not Applicable	Mounting Arrangement:	F1
Agency Approvals:	CSA	Power Factor:	86
	UR	Product Family:	General Purpose
Auxillary Box:	No Auxillary Box	Pulley End Bearing Type:	Ball
Auxillary Box Lead Termination:	None	Pulley Face Code:	C-Face
Base Indicator:	Rigid	Pulley Shaft Indicator:	Tapped & Key
Bearing Grease Type:	Polyrex EM (-20F +300F)	Rodent Screen:	Included
Blower:	None	Shaft Extension Location:	Pulley End
Current @ Voltage:	46.000 A @ 230.0 V	Shaft Ground Indicator:	No Shaft Grounding
	48.000 A @ 208.0 V	Shaft Rotation:	Reversible

Design Code:	L	Shaft Slinger Indicator:	Shaft Slinger
Drip Cover:	No Drip Cover	Speed Code:	Single Speed
Duty Rating:	CONT	Motor Standards:	NEMA
Electrically Isolated Bearing:	Not Electrically Isolated	Starting Method:	Direct on line
Feedback Device:	NO FEEDBACK	Thermal Device - Bearing:	None
Front Face Code:	Standard	Thermal Device - Winding:	None
Front Shaft Indicator:	None	Vibration Sensor Indicator:	No Vibration Sensor
Heater Indicator:	No Heater	Winding Thermal 1:	None
Insulation Class:	F	Winding Thermal 2:	None

Nameplate NP1256L										
CAT.NO.	JPL1511T									
SPEC.	37E285X47									
HP	10									
VOLTS	230									
AMP	46									
RPM	3450									
FRAME	215JP				HZ	60			PH	1
SER.F.	1.15		CODE	G	DES	L		CLASS	F	
NEMA-NOM-EFF	83		PF	86						
RATING	40C AMB-CONT									
CC								USABLE AT 208V	48	
DE	6309			ODE	6206					
ENCL	OPEN		SN							

AC Induction Motor Performance Data

Record # 11971

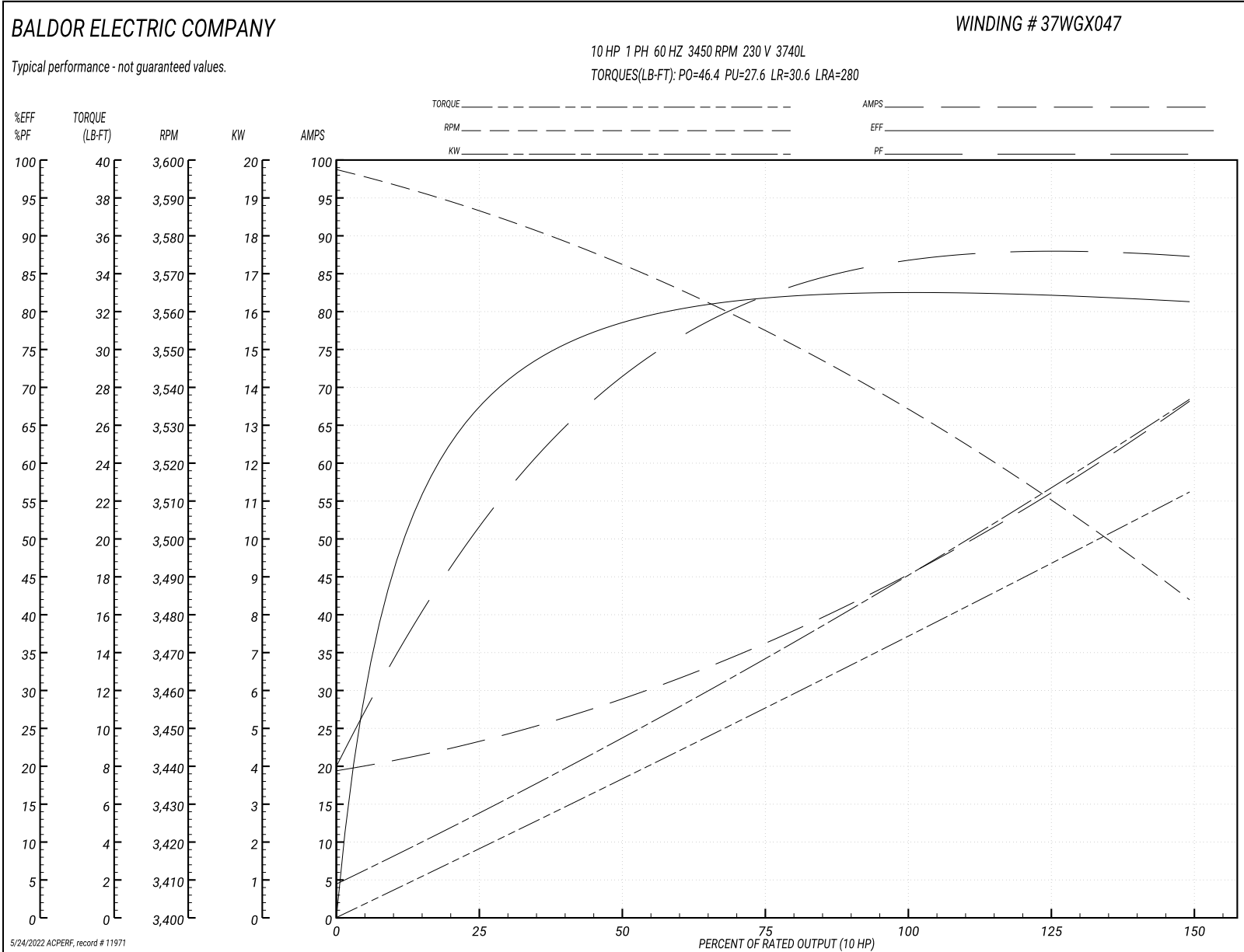
Typical performance - not guaranteed values

Winding: 37WGX047-R001		Type: 3740L		Enclosure: OPEN	
Nameplate Data			230 V, 60 Hz: Single Voltage Motor		
Rated Output (HP)	10	Full Load Torque	15 LB-FT		
Volts	230	Start Configuration	direct on line		
Full Load Amps	46	Breakdown Torque	46.4 LB-FT		
R.P.M.	3450	Pull-up Torque	27.6 LB-FT		
Hz	60 Phase	1	Locked-rotor Torque	30.6 LB-FT	
NEMA Design Code	L	KVA Code	G	Starting Current	280 A
Service Factor (S.F.)	1.15	No-load Current	19.3 A		
NEMA Nom. Eff.	83	Power Factor	86	Line-line Res. @ 25°C	0.163 Ω A Ph 0.728 Ω B Ph
Rating - Duty	40C	AMB-CONT	Temp. Rise @ Rated Load	100°C	
S.F. Amps			Temp. Rise @ S.F. Load	115°C	

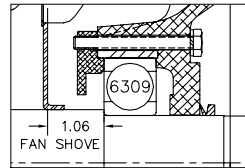
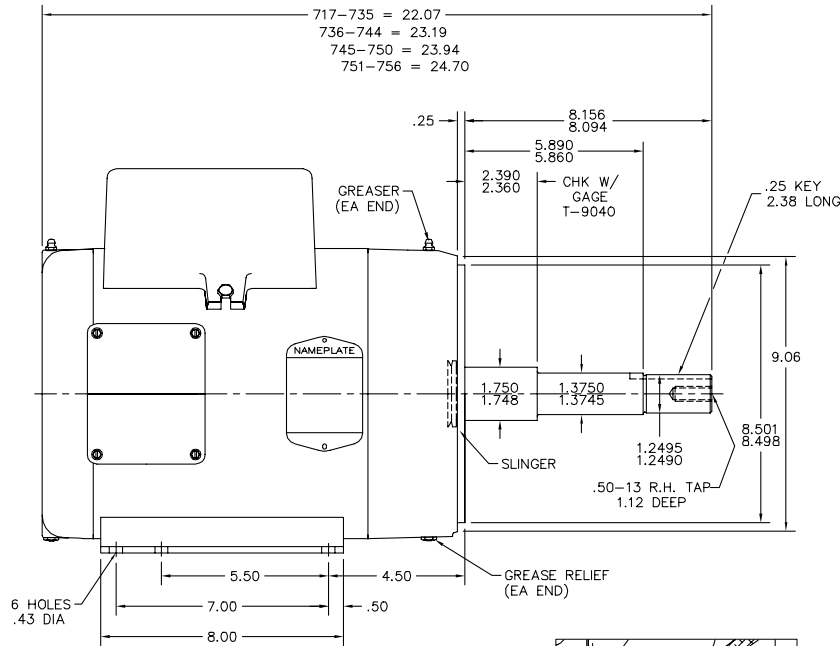
Load Characteristics 230 V, 60 Hz, 10 HP

% of Rated Load	25	50	75	100	125	150	S.F.
Power Factor	56	72	82	86	88	87	87
Efficiency	63	79.3	81.1	83.7	82.8	80.7	83.2
Speed	3587	3570	3552	3536	3512	3482	3522
Line amperes	23.5	29	37.2	45.5	55.6	68.6	51.6

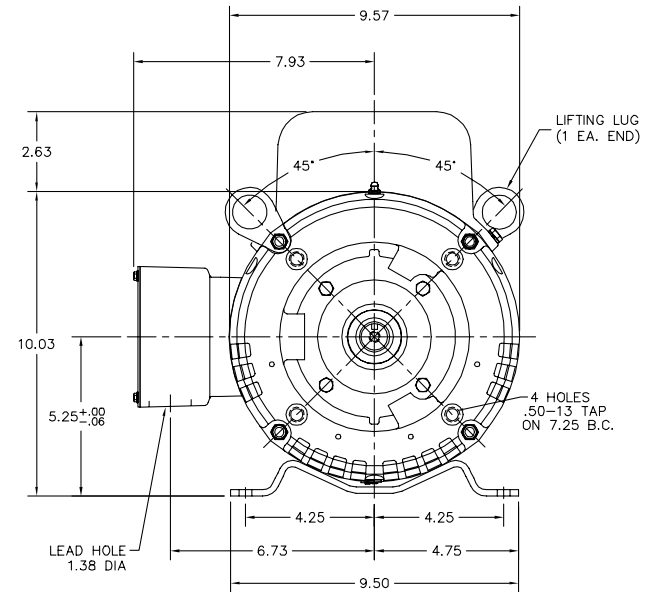
Performance Graph at 230V, 60Hz, 10.0HP Typical performance - Not guaranteed values



37LYE285



PULLEY END DETAIL



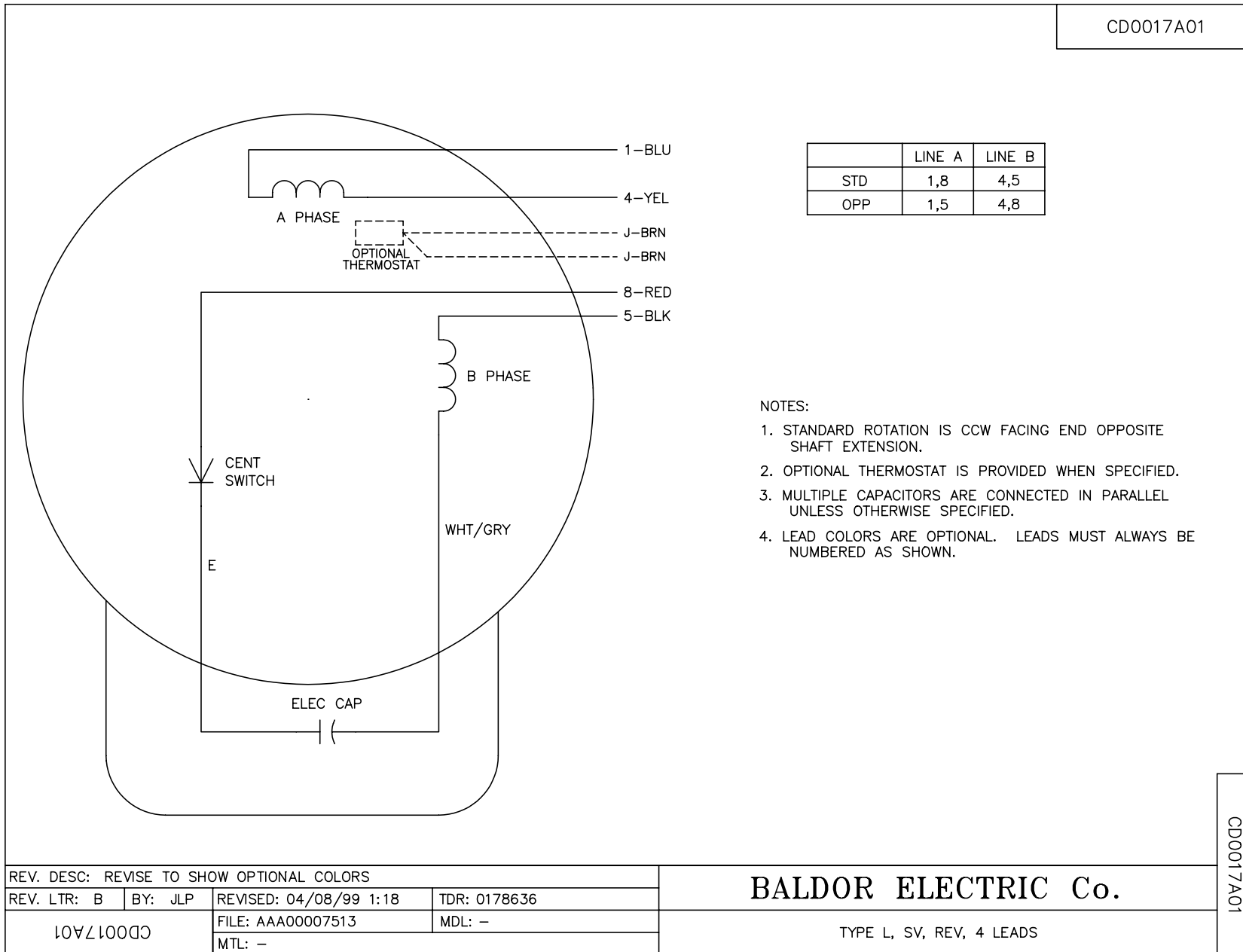
37LYE285

CUSTOMER IS RESPONSIBLE FOR DETERMINING THAT THE PRODUCT WILL PERFORM SUITABLY IN THE INTENDED APPLICATION.

REV. DESC: CHANGE ENDPLATE, REMOVE TIGHT SLEEVE, CHANGE SEAL	VERSION: 03	TDR: 000001164970
REV. LTR: N	REVISED: 08:14:10 04/26/2021	BY: ENBRYPO
FILE: \AAA\00009\712		
MTL: -		

BALDOR - RELIANCE®
 HORZ 213-5JP OPEN 37L-LC W/SCREENS, LIFTING LUGS
 SH 1 of 1

CDO017A01



REV. DESC: REVISE TO SHOW OPTIONAL COLORS			
REV. LTR: B	BY: JLP	REVISED: 04/08/99 1:18	TDR: 0178636
CDO017A01		FILE: AAA00007513	MDL: -
		MTL: -	

BALDOR ELECTRIC Co.

TYPE L, SV, REV, 4 LEADS

CDO017A01