

BALDOR® • RELIANCE 

Product Information Packet

JPM2531T

25HP, 1760RPM, 3PH, 60HZ, 284JP, 3942M, OPSB, F

| Part Detail | | | | | | | |
|-------------|--------|-------------|------------|-------------|--------|---------------|------------|
| Revision: | G | Status: | INA/A | Change #: | | Proprietary: | No |
| Type: | AC | Elec. Spec: | 39WGW918 | CD Diagram: | CD0005 | Mfg Plant: | |
| Mech. Spec: | 39P023 | Layout: | 39LYP023 | Poles: | 04 | Created Date: | 06-29-2010 |
| Base: | RG | Eff. Date: | 03-08-2016 | Leads: | 9#10 | | |

| Specs | | | |
|---------------------------------|-------------------------|--------------------------------|-----------------------|
| Catalog Number: | JPM2531T | Inverter Code: | Not Inverter |
| Enclosure: | ODP | KVA Code: | G |
| Frame: | 284JP | Lifting Lugs: | Standard Lifting Lugs |
| Output @ Frequency: | 25.000 HP @ 60 HZ | Locked Bearing Indicator: | Locked Bearing |
| Synchronous Speed @ Frequency: | 1800 RPM @ 60 HZ | Motor Lead Quantity/Wire Size: | 9 @ 10 AWG |
| Voltage @ Frequency: | 230.0 V @ 60 HZ | Motor Lead Exit: | Ko Box |
| | 460.0 V @ 60 HZ | Motor Lead Termination: | Flying Leads |
| XP Division: | Not Applicable | Motor Type: | 3942M |
| Agency Approvals: | UR | Mounting Arrangement: | F1 |
| | CSA | Power Factor: | 83 |
| Auxillary Box: | No Auxillary Box | Product Family: | General Purpose |
| Auxillary Box Lead Termination: | None | Pulley End Bearing Type: | Ball |
| Base Indicator: | RG | Pulley Face Code: | C-Face |
| Bearing Grease Type: | Polyrex EM (-20F +300F) | Pulley Shaft Indicator: | Tapped & Key |
| Blower: | None | Rodent Screen: | Included |
| Current @ Voltage: | 31.000 A @ 460.0 V | Shaft Extension Location: | Pulley End |
| | 62.000 A @ 230.0 V | Shaft Ground Indicator: | No Shaft Grounding |
| | 66.000 A @ 208.0 V | Shaft Rotation: | Reversible |

| | | | |
|---------------------------------------|---------------------------|------------------------------------|---------------------|
| Design Code: | B | Shaft Slinger Indicator: | Shaft Slinger |
| Drip Cover: | No Drip Cover | Speed Code: | Single Speed |
| Duty Rating: | CONT | Motor Standards: | NEMA |
| Electrically Isolated Bearing: | Not Electrically Isolated | Starting Method: | Direct on line |
| Feedback Device: | NO FEEDBACK | Thermal Device - Bearing: | None |
| Front Face Code: | Standard | Thermal Device - Winding: | None |
| Front Shaft Indicator: | None | Vibration Sensor Indicator: | No Vibration Sensor |
| Heater Indicator: | No Heater | Winding Thermal 1: | None |
| Insulation Class: | B | Winding Thermal 2: | None |

| Nameplate NP1256L | | | | | | | | | | |
|-------------------|--------------|--|------|----|----------------|------|--|-------|----|---|
| CAT.NO. | JPM2531T | | | | | | | | | |
| SPEC. | 39P023W918H1 | | | | | | | | | |
| HP | 25 | | | | | | | | | |
| VOLTS | 230/460 | | | | | | | | | |
| AMP | 62/31 | | | | | | | | | |
| RPM | 1760 | | | | | | | | | |
| FRAME | 284JP | | | | HZ | 60 | | | PH | 3 |
| SER.F. | 1.15 | | CODE | G | DES | B | | CLASS | B | |
| NEMA-NOM-EFF | 91.7 | | PF | 83 | | | | | | |
| RATING | 40C AMB-CONT | | | | | | | | | |
| CC | 010A | | | | USABLE AT 208V | | | 66 | | |
| DE | 6312 | | | | ODE | 6208 | | | | |
| ENCL | OPSB | | SN | | | | | | | |

AC Induction Motor Performance Data

Record # 12995

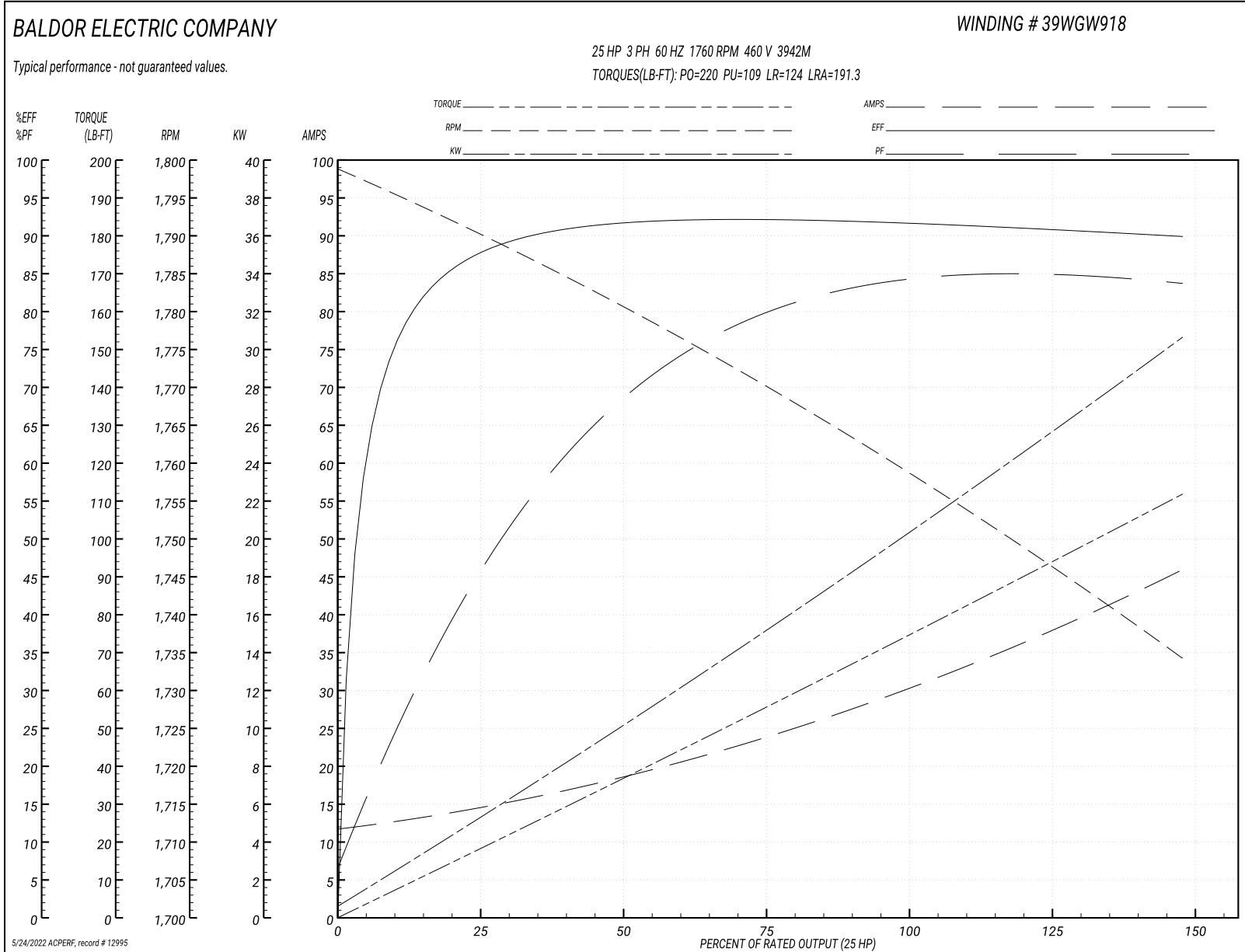
Typical performance - not guaranteed values

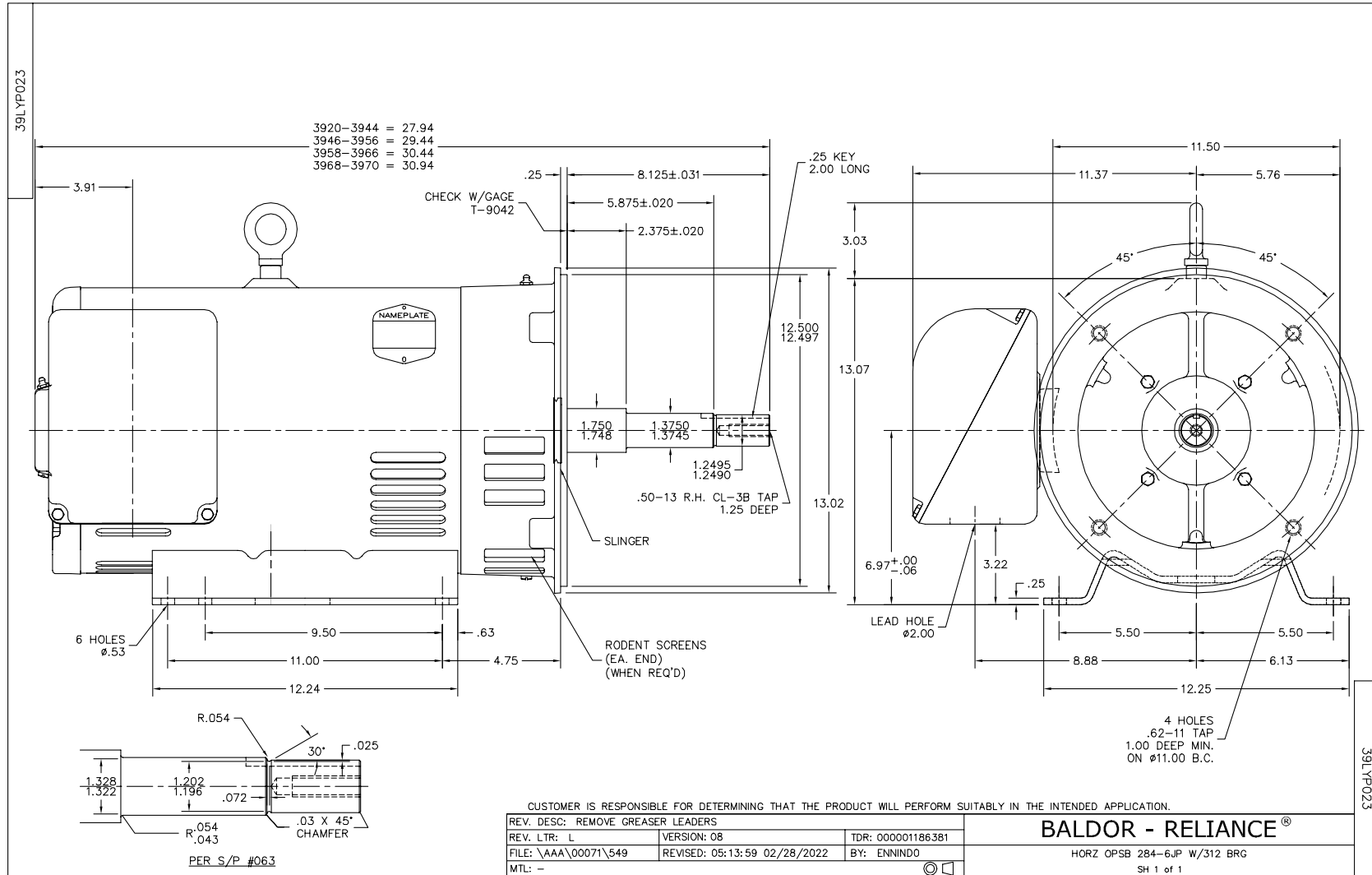
| Winding: 39WGW918-R001 | | Type: 3942M | | Enclosure: OPSB | |
|-------------------------------|-------------------|----------------------------------|--|------------------------|--|
| Nameplate Data | | | 460 V, 60 Hz: High Voltage Connection | | |
| Rated Output (HP) | 25 | Full Load Torque | 74.6 LB-FT | | |
| Volts | 230/460 | Start Configuration | direct on line | | |
| Full Load Amps | 62/31 | Breakdown Torque | 220 LB-FT | | |
| R.P.M. | 1760 | Pull-up Torque | 109 LB-FT | | |
| Hz | 60 Phase | Locked-rotor Torque | 124 LB-FT | | |
| NEMA Design Code | B KVA Code | G | Starting Current | 191.3 A | |
| Service Factor (S.F.) | 1.15 | No-load Current | 12.11 A | | |
| NEMA Nom. Eff. | 91.7 Power Factor | 83 | Line-line Res. @ 25°C | 0.398 Ω | |
| Rating - Duty | 40C AMB-CONT | Temp. Rise @ Rated Load | 42°C | | |
| S.F. Amps | | Temp. Rise @ S.F. Load | 56°C | | |
| | | Locked-rotor Power Factor | 35 | | |
| | | Rotor inertia | 1.84 LB-FT ² | | |

Load Characteristics 460 V, 60 Hz, 25 HP

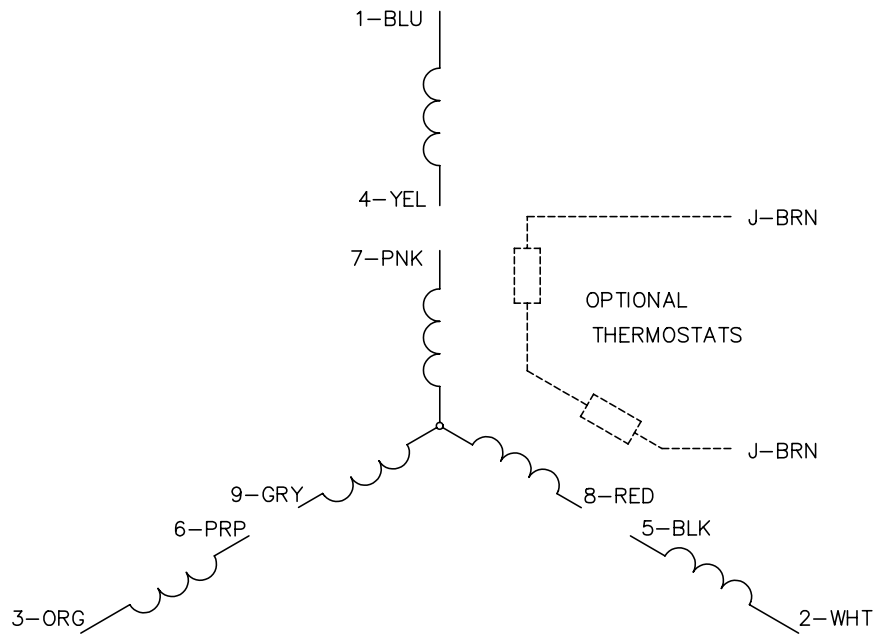
| % of Rated Load | 25 | 50 | 75 | 100 | 125 | 150 | S.F. |
|------------------------|-----------|-----------|-----------|------------|------------|------------|-------------|
| Power Factor | 48 | 69 | 79 | 83 | 85 | 86 | 84 |
| Efficiency | 87.4 | 91.5 | 92.1 | 91.8 | 91 | 89.8 | 91.3 |
| Speed | 1790 | 1780 | 1770 | 1759 | 1747 | 1734 | 1752 |
| Line amperes | 14.07 | 18.47 | 24.1 | 30.6 | 37.8 | 45.7 | 34.9 |

Performance Graph at 460V, 60Hz, 25.0HP Typical performance - Not guaranteed values

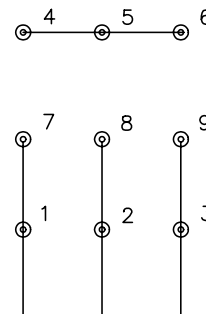




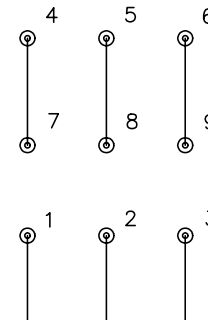
CD0005



LOW VOLTAGE
(2Y)



HIGH VOLTAGE
(1Y)



NOTES:

1. INTERCHANGE ANY TWO LINE LEADS TO REVERSE ROTATION.
2. OPTIONAL THERMOSTATS ARE PROVIDED WHEN SPECIFIED.
3. ACTUAL NUMBER OF INTERNAL PARALLEL CIRCUITS MAY BE A MULTIPLE OF THOSE SHOWN ABOVE.
4. LEAD COLORS ARE OPTIONAL. LEADS MUST ALWAYS BE NUMBERED AS SHOWN.

| | | | |
|---|---------|-------------------------|--------------|
| REV. DESC: REVISE TO SHOW OPTIONAL COLORS | | | |
| REV. LTR: E | BY: JLP | REVISED: 01/19/99 10:15 | TDR: 0171435 |
| 90000 | | FILE: AAA00005140 | MDL: - |
| | | MTL: - | |

BALDOR ELECTRIC Co.

3PH, DV, 9 LEADS

CD0005