

**BALDOR® • RELIANCE** 

**Product Information Packet**

**L1502**

**2HP,1725RPM,1PH,60HZ,213,3720L,OPEN,F1**

Part Detail							
Revision:	AF	Status:	PRD/A	Change #:		Proprietary:	No
Type:	AC	Elec. Spec:	37WGX227	CD Diagram:	CD0076	Mfg Plant:	
Mech. Spec:	37E001	Layout:	37LYE001	Poles:	04	Created Date:	
Base:	RG	Eff. Date:	07-03-2019	Leads:	8#14		

Specs			
Catalog Number:	L1502	Inverter Code:	Not Inverter
Frame:	213	KVA Code:	J
Frame Material:	Steel	Lifting Lugs:	Standard Lifting Lugs
Output @ Frequency:	2.000 HP @ 60 HZ	Locked Bearing Indicator:	No Locked Bearing
Synchronous Speed @ Frequency:	1800 RPM @ 60 HZ	Motor Lead Quantity/Wire Size:	8 @ 14 AWG
Voltage @ Frequency:	230.0 V @ 60 HZ	Motor Lead Exit:	Ko Box
	115.0 V @ 60 HZ	Motor Lead Termination:	Flying Leads
XP Division:	Not Applicable	Motor Type:	3720L
Agency Approvals:	CSA	Mounting Arrangement:	F1
	UR	Power Factor:	68
Auxillary Box:	No Auxillary Box	Product Family:	General Purpose
Auxillary Box Lead Termination:	None	Pulley End Bearing Type:	Ball
Base Indicator:	Rigid	Pulley Face Code:	Standard
Bearing Grease Type:	Polyrex EM (-20F +300F)	Pulley Shaft Indicator:	Standard
Blower:	None	Rodent Screen:	None
Current @ Voltage:	25.000 A @ 115.0 V	Shaft Extension Location:	Pulley End
	13.000 A @ 208.0 V	Shaft Ground Indicator:	No Shaft Grounding
	12.500 A @ 230.0 V	Shaft Rotation:	Reversible

<b>Design Code:</b>	L	<b>Shaft Slinger Indicator:</b>	No Slinger
<b>Drip Cover:</b>	No Drip Cover	<b>Speed Code:</b>	Single Speed
<b>Duty Rating:</b>	CONT	<b>Motor Standards:</b>	NEMA
<b>Electrically Isolated Bearing:</b>	Not Electrically Isolated	<b>Starting Method:</b>	Direct on line
<b>Feedback Device:</b>	NO FEEDBACK	<b>Thermal Device - Bearing:</b>	None
<b>Front Face Code:</b>	Standard	<b>Thermal Device - Winding:</b>	None
<b>Front Shaft Indicator:</b>	None	<b>Vibration Sensor Indicator:</b>	No Vibration Sensor
<b>Heater Indicator:</b>	No Heater	<b>Winding Thermal 1:</b>	None
<b>Insulation Class:</b>	B	<b>Winding Thermal 2:</b>	None

Nameplate NP1256L										
CAT.NO.	L1502									
SPEC.	37E01X227									
HP	2									
VOLTS	115/230									
AMP	25/12.5									
RPM	1725									
FRAME	213				HZ	60			PH	1
SER.F.	1.15			CODE	J	DES	L		CLASS	B
NEMA-NOM-EFF	69			PF	68					
RATING	40C AMB-CONT									
CC									USABLE AT 208V	13
DE	6307				ODE	6206				
ENCL	OPEN			SN						

**AC Induction Motor Performance Data**

Record # 12010

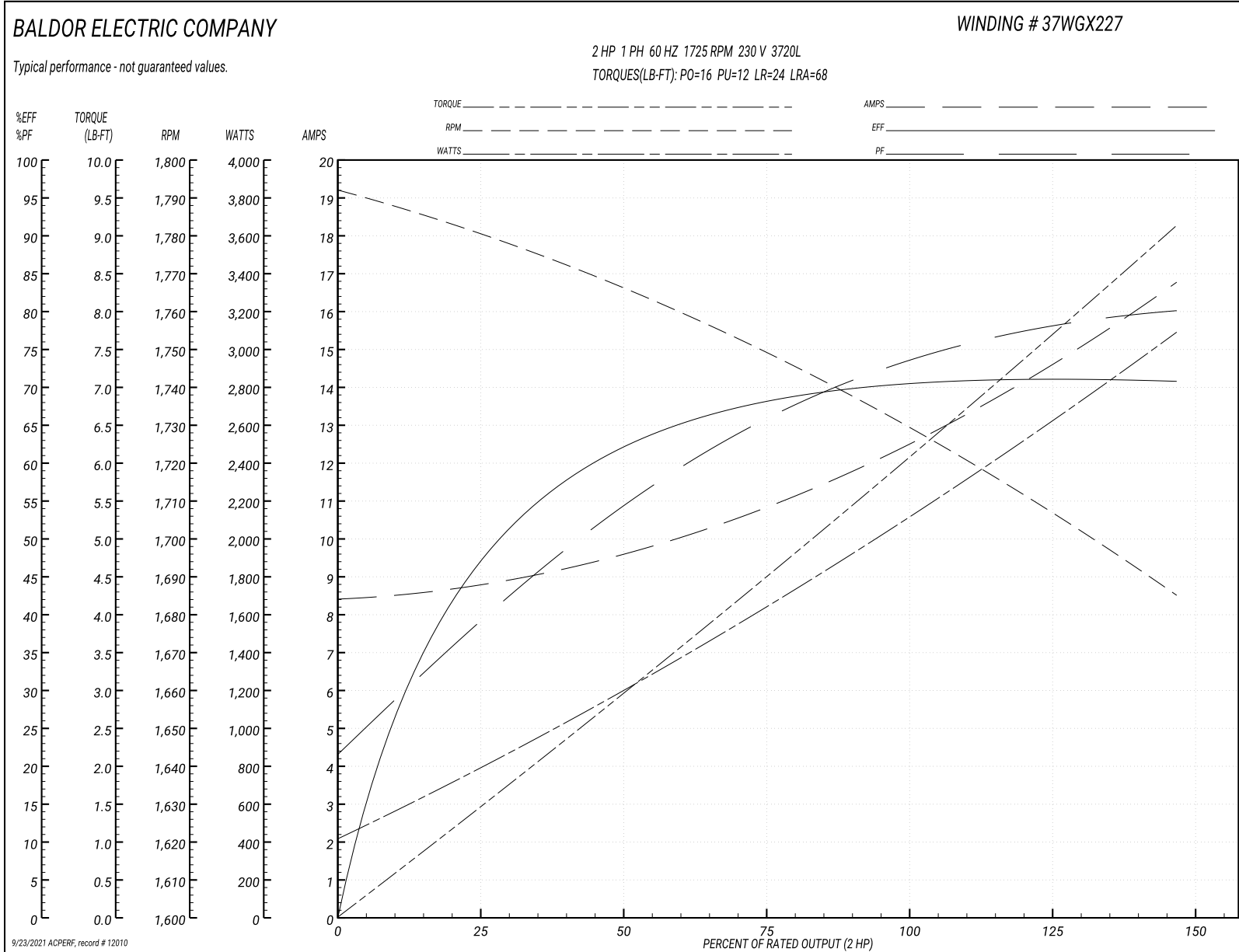
Typical performance - not guaranteed values

Winding: 37WGX227-R001		Type: 3720L		Enclosure: OPEN	
<b>Nameplate Data</b>			<b>230 V, 60 Hz: High Voltage Connection</b>		
Rated Output (HP)	2		Full Load Torque	6.1 LB-FT	
Volts	115/230		Start Configuration	direct on line	
Full Load Amps	25/12.5		Breakdown Torque	16 LB-FT	
R.P.M.	1725		Pull-up Torque	12 LB-FT	
Hz	60 Phase	1	Locked-rotor Torque	24 LB-FT	
NEMA Design Code	L	KVA Code	J	Starting Current	68 A
Service Factor (S.F.)	1.15		No-load Current	8.4 A	
NEMA Nom. Eff.	69	Power Factor	68	Line-line Res. @ 25°C	0.904 Ω A Ph 1.08 Ω B Ph
Rating - Duty	40C AMB-CONT		Temp. Rise @ Rated Load	37°C	
S.F. Amps			Temp. Rise @ S.F. Load	48°C	

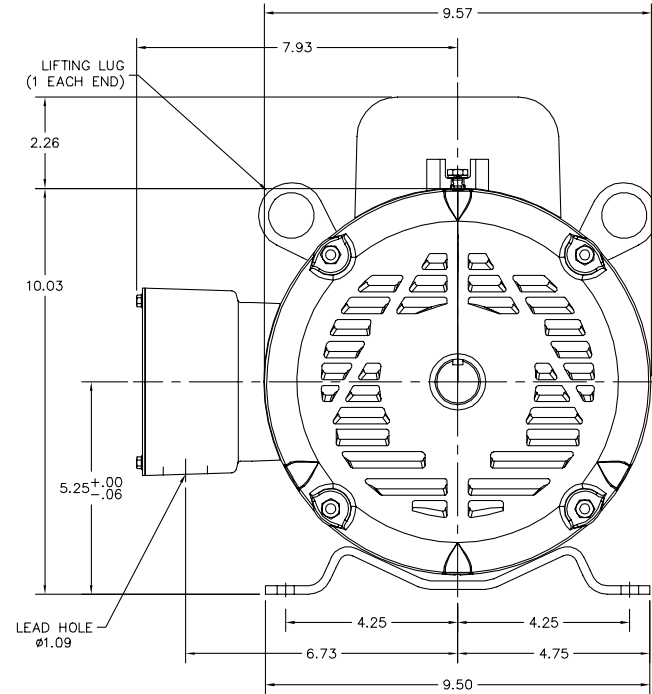
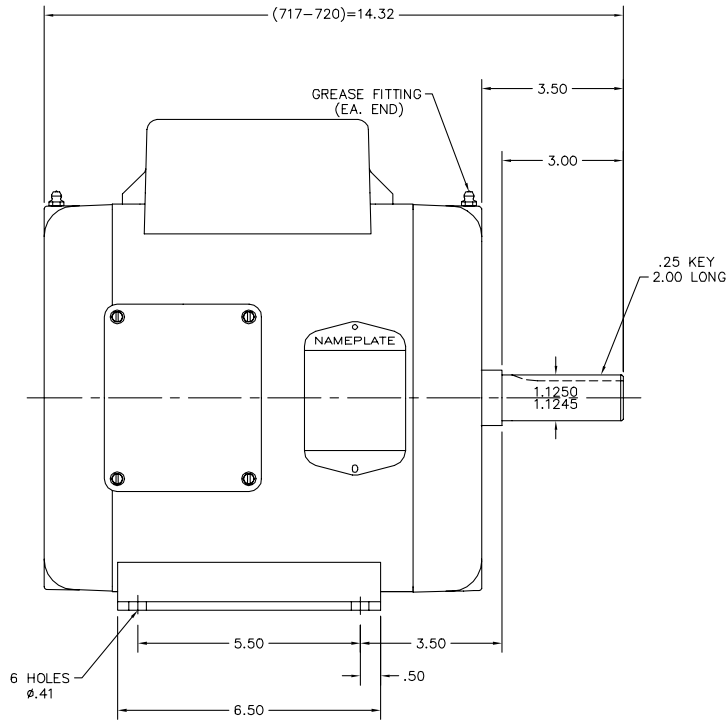
**Load Characteristics 230 V, 60 Hz, 2 HP**

% of Rated Load	25	50	75	100	125	150	S.F.
Power Factor	39	54	65	73	79	82	77
Efficiency	47.1	62.1	68.3	70.9	71.4	70.5	71.2
Speed	1779	1765	1748	1730	1709	1684	1717
Line amperes	8.8	9.7	10.9	12.5	14.5	16.8	13.7

Performance Graph at 230V, 60Hz, 2.0HP Typical performance - Not guaranteed values



37LYE001



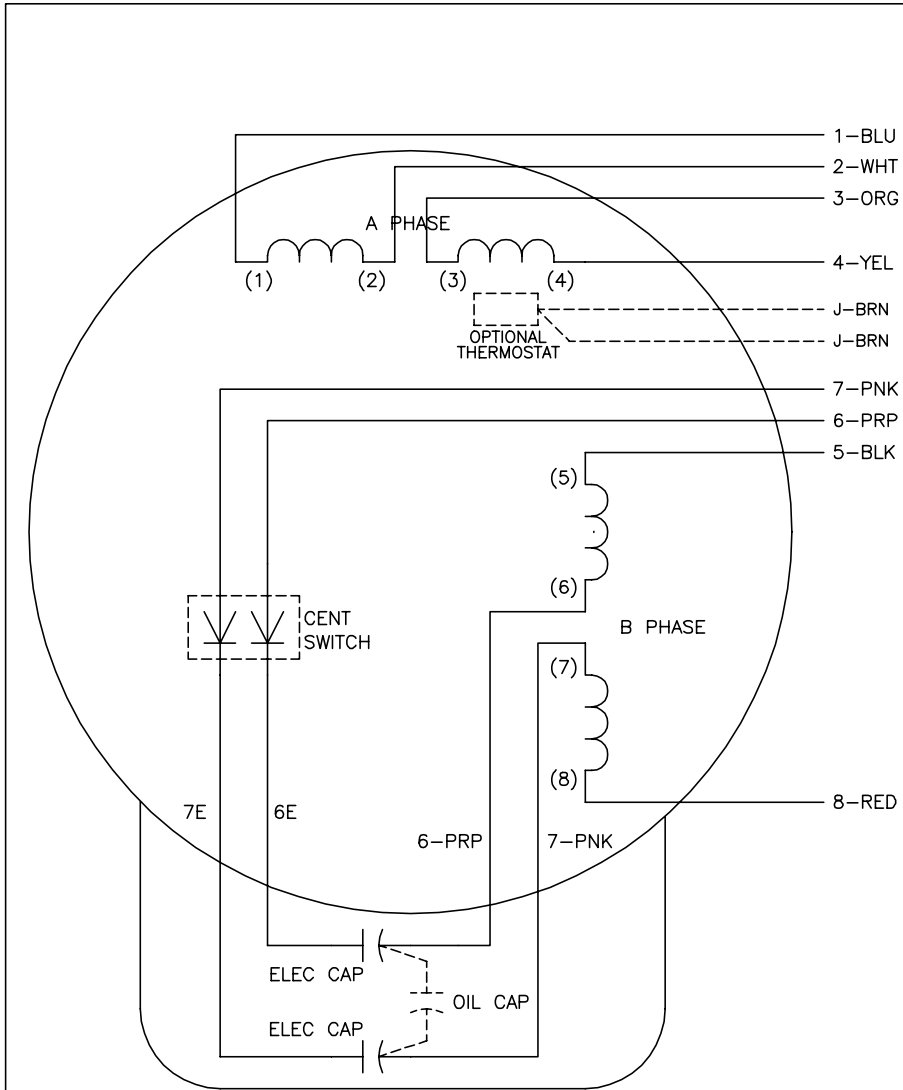
37LYE001

CUSTOMER IS RESPONSIBLE FOR DETERMINING THAT BALDOR'S PRODUCT WILL PERFORM SUITABLY IN THE INTENDED APPLICATION.

REV. DESC: REPLACE ENDPLATES	VERSION: 02	TDR: 000001018975
REV. LTR: G	REVISED: 09:23:00 03/07/2017	BY: USZAHAR
FILE: \AAA\00002\808		
MTL: -		

**BALDOR**  
 STD HORZ NEMA 213 OPEN 37L  
 SH 1 of 1

CD0076



	LINE A	LINE B	JOIN	JOIN
HIGH STD	1,8	4,5	2,3	6,7
HIGH OPP	1,5	4,8	2,3	6,7
LOW STD	1,3,6,8	2,4,5,7	-	-
LOW OPP	1,3,5,7	2,4,6,8	-	-

NOTES:

1. STANDARD ROTATION IS CCW FACING END OPPOSITE SHAFT EXTENSION.
2. OPTIONAL THERMOSTAT IS PROVIDED WHEN SPECIFIED.
3. OPTIONAL OIL CAP(S) ARE PROVIDED WHEN SPECIFIED. MULTIPLE OIL CAPS ARE CONNECTED IN PARALLEL.
4. LEAD COLORS ARE OPTIONAL. LEADS MUST ALWAYS BE NUMBERED AS SHOWN.

REV. DESC: ADD OPTIONAL COLORS			
REV. LTR: E	VERSION: 01	TDR: 000000372126	
9Z0000	FILE: \AAA\00007\419	REVISED: 15:44:39 09/28/2005	
	MTL: -	BY: ENJOEPO	

**BALDOR ELECTRIC Co.**

TYPE L OR LC, DV, REV, SERIES/PAR B PH, 8 LEAD

CD0076