

BALDOR® • RELIANCE 

Product Information Packet

L1503

2HP,1140RPM,1PH,60HZ,215,3729L,OPEN,F1

Part Detail							
Revision:	AJ	Status:	INA/A	Change #:		Proprietary:	No
Type:	AC	Elec. Spec:	37WG0470	CD Diagram:	CD0076	Mfg Plant:	
Mech. Spec:	37D011	Layout:	37LYD011	Poles:	06	Created Date:	
Base:	RG	Eff. Date:	04-08-2016	Leads:	8#14		

Specs			
Catalog Number:	L1503	Insulation Class:	B
Enclosure:	ODP	Inverter Code:	Not Inverter
Frame:	215	KVA Code:	H
Frame Material:	Steel	Lifting Lugs:	Standard Lifting Lugs
Output @ Frequency:	2.000 HP @ 60 HZ	Locked Bearing Indicator:	No Locked Bearing
Synchronous Speed @ Frequency:	1200 RPM @ 60 HZ	Motor Lead Quantity/Wire Size:	8 @ 14 AWG
Voltage @ Frequency:	115.0 V @ 60 HZ	Motor Lead Exit:	Ko Box
	230.0 V @ 60 HZ	Motor Lead Termination:	Flying Leads
XP Division:	Not Applicable	Motor Type:	3729L
Agency Approvals:	UR	Mounting Arrangement:	F1
	CSA	Power Factor:	65
Auxillary Box:	No Auxillary Box	Product Family:	General Purpose
Auxillary Box Lead Termination:	None	Pulley End Bearing Type:	Ball
Base Indicator:	RG	Pulley Face Code:	Standard
Bearing Grease Type:	Polyrex EM (-20F +300F)	Pulley Shaft Indicator:	Standard
Blower:	None	Rodent Screen:	None
Current @ Voltage:	14.000 A @ 230.0 V	Shaft Extension Location:	Pulley End
	14.700 A @ 208.0 V	Shaft Ground Indicator:	No Shaft Grounding

	28.000 A @ 115.0 V	Shaft Rotation:	Reversible
Design Code:	L	Shaft Slinger Indicator:	No Slinger
Drip Cover:	No Drip Cover	Speed Code:	Single Speed
Duty Rating:	CONT	Motor Standards:	NEMA
Electrically Isolated Bearing:	Not Electrically Isolated	Starting Method:	Direct on line
Feedback Device:	NO FEEDBACK	Thermal Device - Bearing:	None
Front Face Code:	Standard	Thermal Device - Winding:	None
Front Shaft Indicator:	None	Vibration Sensor Indicator:	No Vibration Sensor
Heater Indicator:	No Heater	Winding Thermal 1:	None
		Winding Thermal 2:	None

Nameplate NP1256L										
CAT.NO.										
SPEC.	37D11-470									
HP	2									
VOLTS	115/230									
AMP	28/14									
RPM	1140									
FRAME	215				HZ	60			PH	1
SER.F.	1.15		CODE	H	DES	L		CLASS	B	
NEMA-NOM-EFF	68		PF	65						
RATING	40C AMB-CONT									
CC								USABLE AT 208V	14.7	
DE	6307			ODE	6206					
ENCL	OPEN		SN							

AC Induction Motor Performance Data

Record # 11609

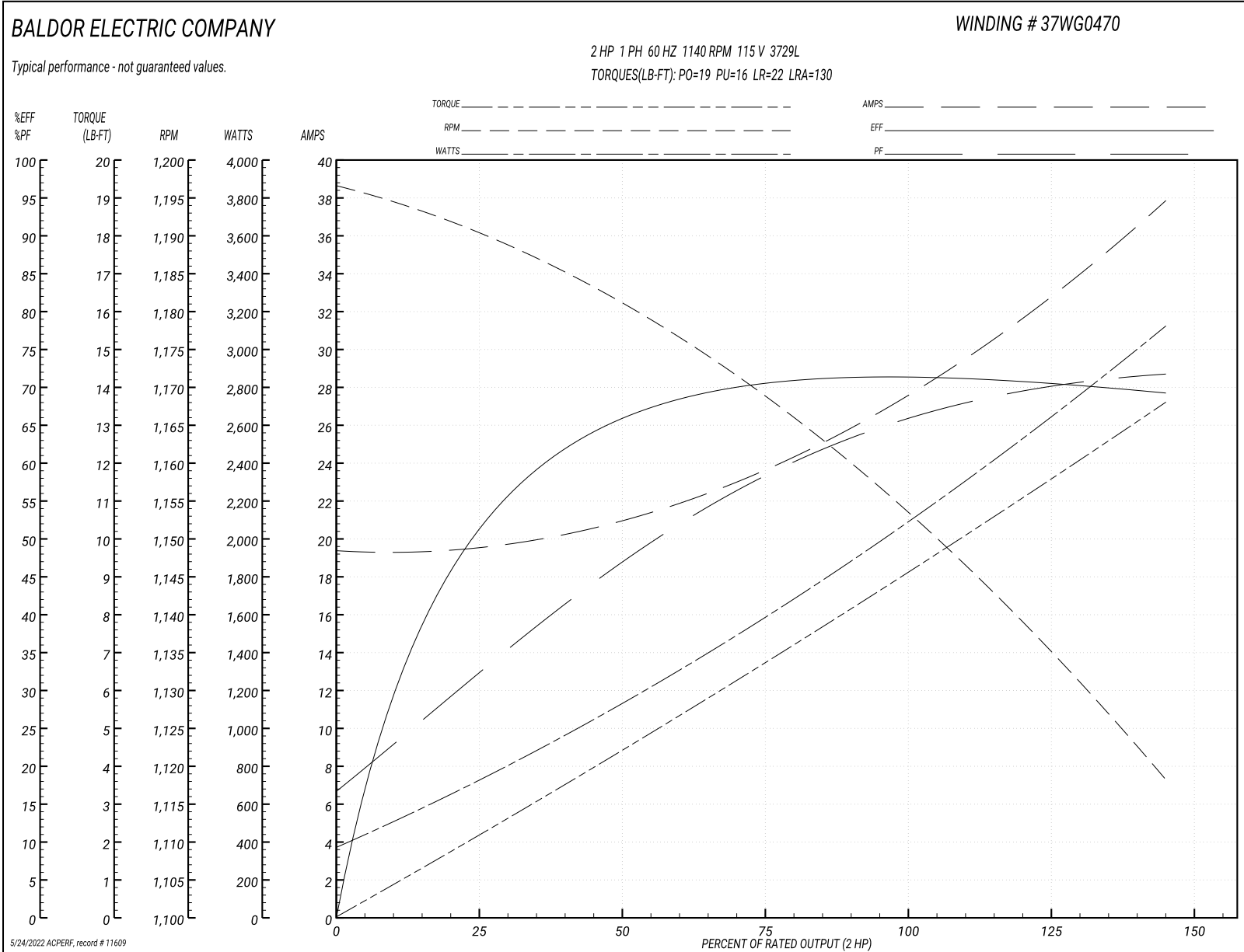
Typical performance - not guaranteed values

Winding: 37WG0470-R001		Type: 3729L		Enclosure: TEFC	
Nameplate Data			115 V, 60 Hz: Low Voltage Connection		
Rated Output (HP)	2		Full Load Torque	9.1 LB-FT	
Volts	115/230		Start Configuration	direct on line	
Full Load Amps	28/14		Breakdown Torque	19 LB-FT	
R.P.M.	1140		Pull-up Torque	16 LB-FT	
Hz	60 Phase	1	Locked-rotor Torque	22 LB-FT	
NEMA Design Code	L	KVA Code	H	Starting Current	130 A
Service Factor (S.F.)	1.15		No-load Current	19.1 A	
NEMA Nom. Eff.	68	Power Factor	65	Line-line Res. @ 25°C	0.261 Ω A Ph 0.849 Ω B Ph
Rating - Duty	40C AMB-CONT		Temp. Rise @ Rated Load	67°C	
S.F. Amps			Temp. Rise @ S.F. Load	83°C	

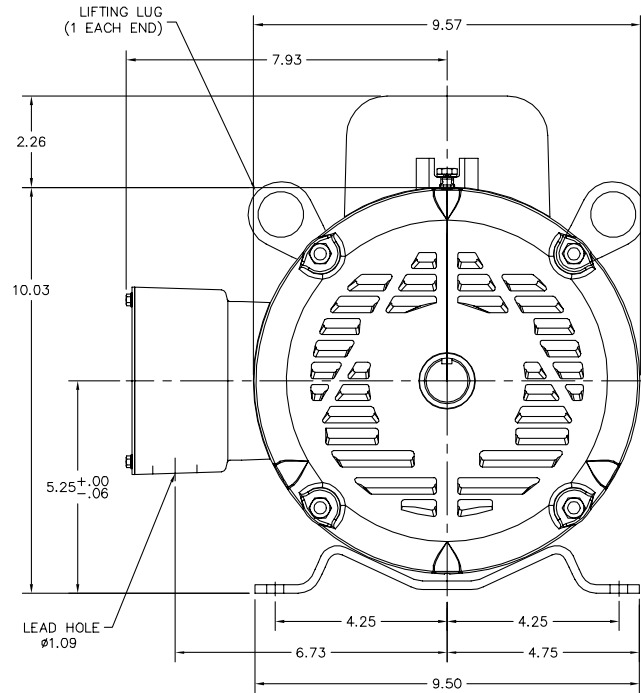
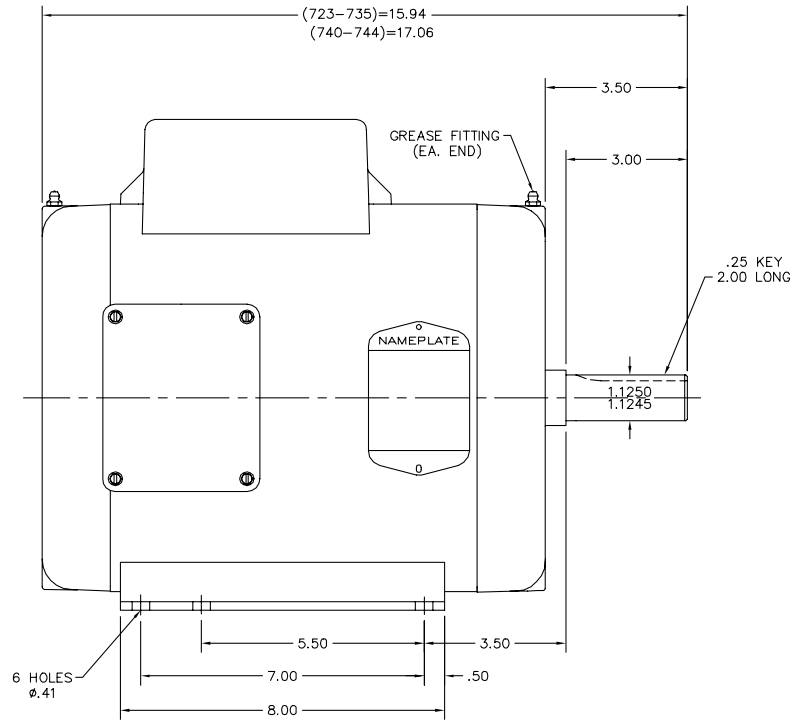
Load Characteristics 115 V, 60 Hz, 2 HP

% of Rated Load	25	50	75	100	125	150	S.F.
Power Factor	32	47	58	66	71	74	0
Efficiency	50.6	65	70.5	72.1	71.5	68.6	0
Speed	1189	1179	1168	1155	1139	1116	0
Line amperes	19.8	21.4	23.8	27.3	31.9	38.3	30.1

Performance Graph at 115V, 60Hz, 2.0HP Typical performance - Not guaranteed values



37LYD011



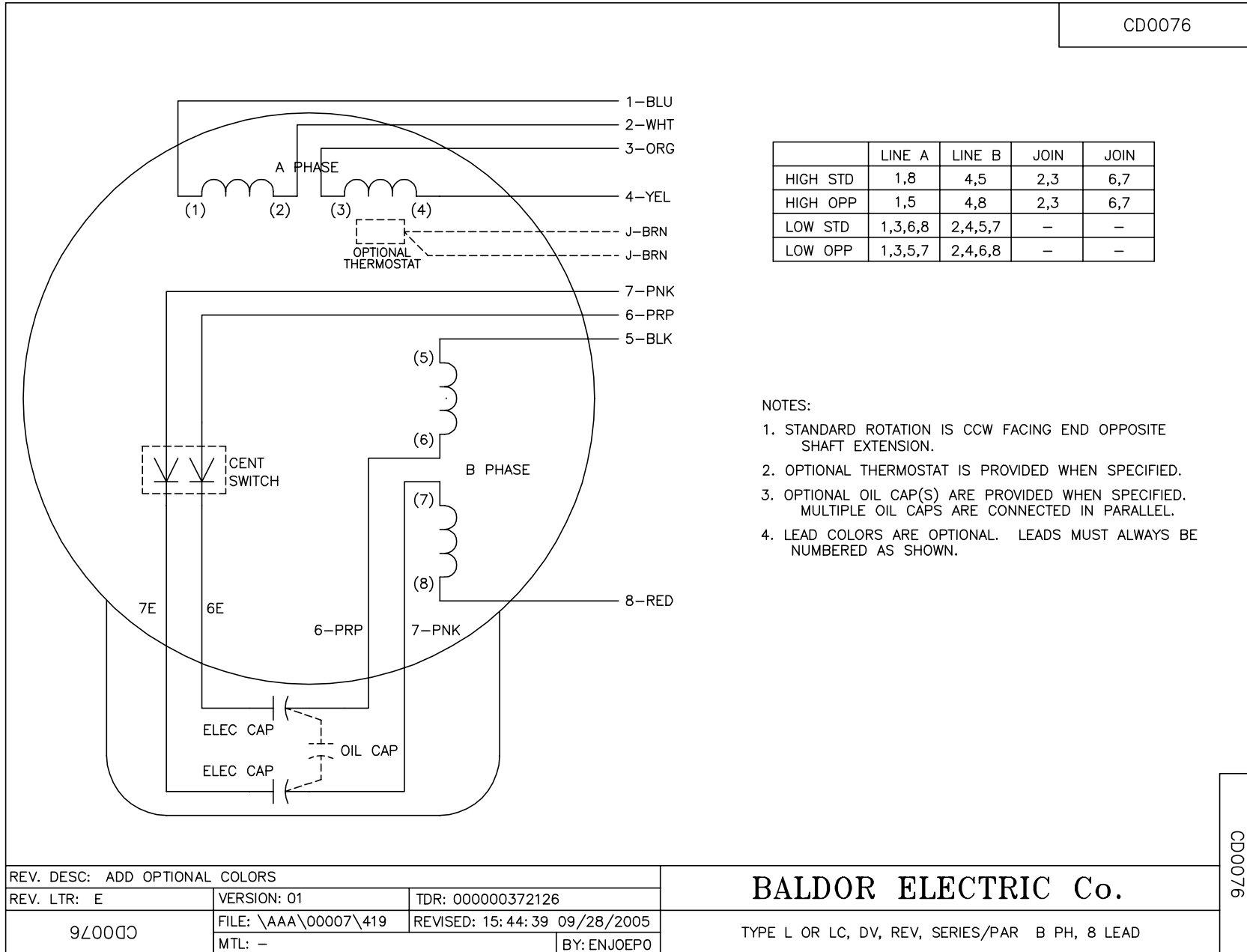
37LYD011

CUSTOMER IS RESPONSIBLE FOR DETERMINING THAT BALDOR'S PRODUCT WILL PERFORM SUITABLY IN THE INTENDED APPLICATION.

REV. DESC: REPLACE ENDPLATES		
REV. LTR: G	VERSION: 02	TDR: 00001018975
FILE: \AAA\00002\779	REVISED: 09:20:12 03/07/2017	BY: USZAHAR
MTL: -		

BALDOR
 STD HORZ NEMA 213-5 OPEN 37L
 SH 1 of 1

CD0076



	LINE A	LINE B	JOIN	JOIN
HIGH STD	1,8	4,5	2,3	6,7
HIGH OPP	1,5	4,8	2,3	6,7
LOW STD	1,3,6,8	2,4,5,7	-	-
LOW OPP	1,3,5,7	2,4,6,8	-	-

NOTES:

1. STANDARD ROTATION IS CCW FACING END OPPOSITE SHAFT EXTENSION.
2. OPTIONAL THERMOSTAT IS PROVIDED WHEN SPECIFIED.
3. OPTIONAL OIL CAP(S) ARE PROVIDED WHEN SPECIFIED. MULTIPLE OIL CAPS ARE CONNECTED IN PARALLEL.
4. LEAD COLORS ARE OPTIONAL. LEADS MUST ALWAYS BE NUMBERED AS SHOWN.

CD0076

REV. DESC: ADD OPTIONAL COLORS			
REV. LTR: E	VERSION: 01	TDR: 000000372126	
9Z00D0	FILE: \AAA\00007\419	REVISED: 15:44:39 09/28/2005	
	MTL: -	BY: ENJOEPO	

BALDOR ELECTRIC Co.

TYPE L OR LC, DV, REV, SERIES/PAR B PH, 8 LEAD