

BALDOR® • RELIANCE 

Product Information Packet

L1505

3HP,1725RPM,1PH,60HZ,215,3729L,OPEN,F1

Part Detail							
Revision:	AM	Status:	PRD/A	Change #:		Proprietary:	No
Type:	AC	Elec. Spec:	37WG0087	CD Diagram:	CD0076	Mfg Plant:	
Mech. Spec:	37D011	Layout:	37LYD011	Poles:	04	Created Date:	
Base:	RG	Eff. Date:	02-11-2022	Leads:	4#12 A PH,4#14 B PH		

Specs			
Catalog Number:	L1505	Insulation Class:	B
Enclosure:	ODP	Inverter Code:	Not Inverter
Frame:	215	KVA Code:	J
Frame Material:	Steel	Lifting Lugs:	Standard Lifting Lugs
Output @ Frequency:	3.000 HP @ 60 HZ	Locked Bearing Indicator:	No Locked Bearing
Synchronous Speed @ Frequency:	1800 RPM @ 60 HZ	Motor Lead Quantity/Wire Size:	4 @ 12 AWG, A PH
Voltage @ Frequency:	115.0 V @ 60 HZ	Motor Lead Exit:	Ko Box
	230.0 V @ 60 HZ	Motor Lead Termination:	Flying Leads
XP Division:	Not Applicable	Motor Type:	3729L
Agency Approvals:	UR	Mounting Arrangement:	F1
	CSA	Power Factor:	70
Auxillary Box:	No Auxillary Box	Product Family:	General Purpose
Auxillary Box Lead Termination:	None	Pulley End Bearing Type:	Ball
Base Indicator:	RG	Pulley Face Code:	Standard
Bearing Grease Type:	Polyrex EM (-20F +300F)	Pulley Shaft Indicator:	Standard
Blower:	None	Rodent Screen:	None
Current @ Voltage:	18.000 A @ 230.0 V	Shaft Extension Location:	Pulley End
	19.000 A @ 208.0 V	Shaft Ground Indicator:	No Shaft Grounding

	36.000 A @ 115.0 V	Shaft Rotation:	Reversible
Design Code:	L	Shaft Slinger Indicator:	No Slinger
Drip Cover:	No Drip Cover	Speed Code:	Single Speed
Duty Rating:	CONT	Motor Standards:	NEMA
Electrically Isolated Bearing:	Not Electrically Isolated	Starting Method:	Direct on line
Feedback Device:	NO FEEDBACK	Thermal Device - Bearing:	None
Front Face Code:	Standard	Thermal Device - Winding:	None
Front Shaft Indicator:	None	Vibration Sensor Indicator:	No Vibration Sensor
Heater Indicator:	No Heater	Winding Thermal 1:	None
		Winding Thermal 2:	None

Nameplate NP1256L										
CAT.NO.										
SPEC.	37D11-87									
HP	3									
VOLTS	115/230									
AMP	36/18									
RPM	1725									
FRAME	215				HZ	60			PH	1
SER.F.	1.15		CODE	J	DES	L		CLASS	B	
NEMA-NOM-EFF	75		PF	70						
RATING	40C AMB-CONT									
CC									USABLE AT 208V	19
DE	6307				ODE	6206				
ENCL	OPEN		SN							

AC Induction Motor Performance Data

Record # 20886

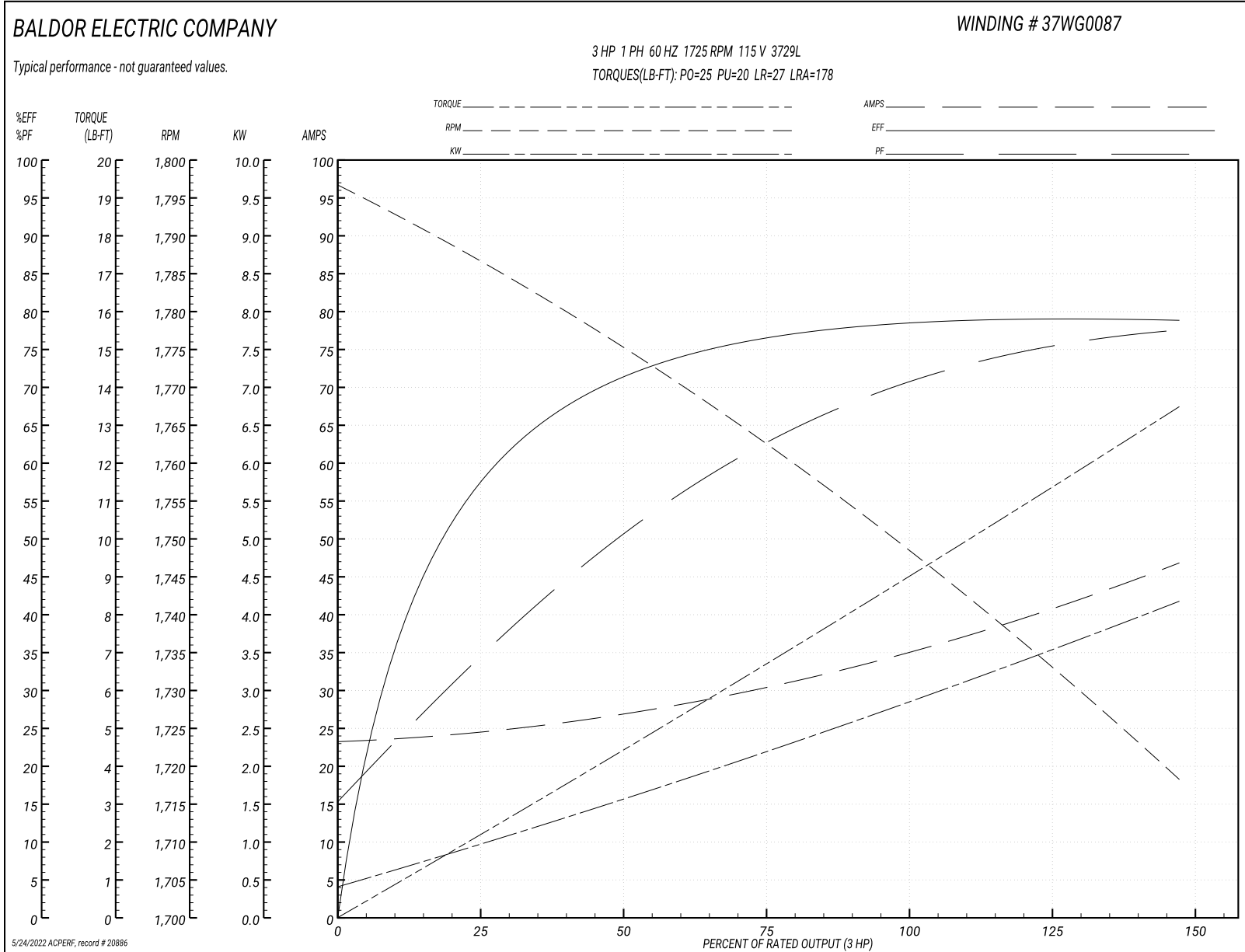
Typical performance - not guaranteed values

Winding: 37WG0087-R001		Type: 3729L		Enclosure: OPEN	
Nameplate Data			115 V, 60 Hz: Low Voltage Connection		
Rated Output (HP)		3	Full Load Torque		9 LB-FT
Volts		115/230	Start Configuration		direct on line
Full Load Amps		36/18	Breakdown Torque		25 LB-FT
R.P.M.		1725	Pull-up Torque		20 LB-FT
Hz	60 Phase	1	Locked-rotor Torque		27 LB-FT
NEMA Design Code	L	KVA Code	J	Starting Current	178 A
Service Factor (S.F.)		1.15	No-load Current		23.3 A
NEMA Nom. Eff.	75	Power Factor	70	Line-line Res. @ 25°C	0.103 Ω A Ph 0.497 Ω B Ph
Rating - Duty		40C	AMB-CONT	Temp. Rise @ Rated Load	62°C
S.F. Amps				Temp. Rise @ S.F. Load	78°C

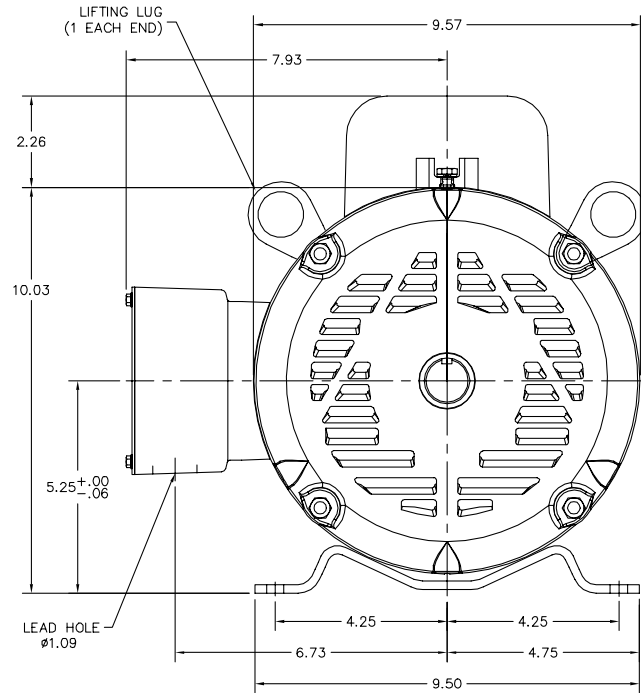
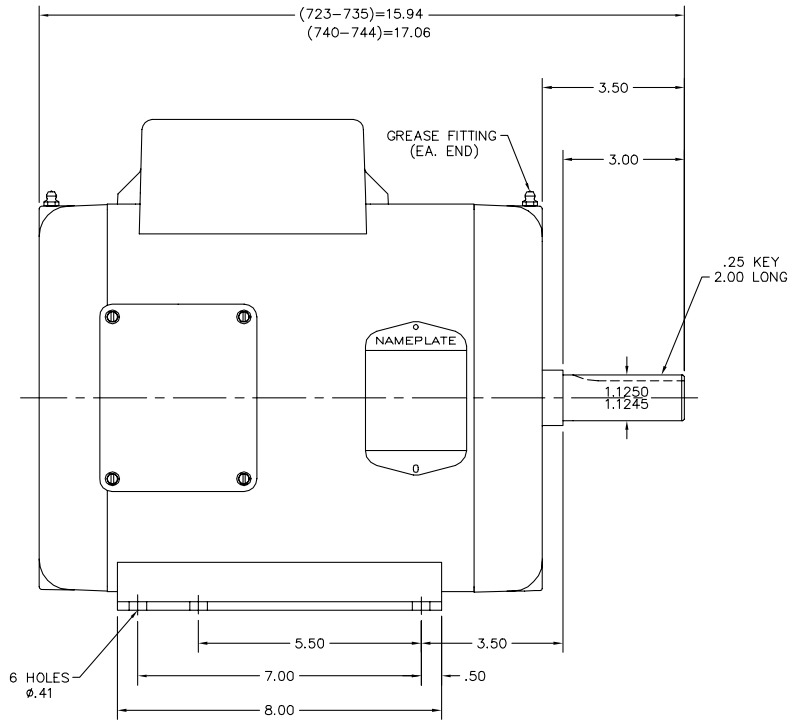
Load Characteristics 115 V, 60 Hz, 3 HP

% of Rated Load	25	50	75	100	125	150	S.F.
Power Factor	35	51	63	71	76	79	0
Efficiency	57.5	71.3	76.6	78.7	79.2	78.7	0
Speed	1786	1775	1762	1749	1734	1718	0
Line amperes	24.5	26.9	30.5	35.1	40.5	46.8	38.3

Performance Graph at 115V, 60Hz, 3.0HP Typical performance - Not guaranteed values



37LYD011



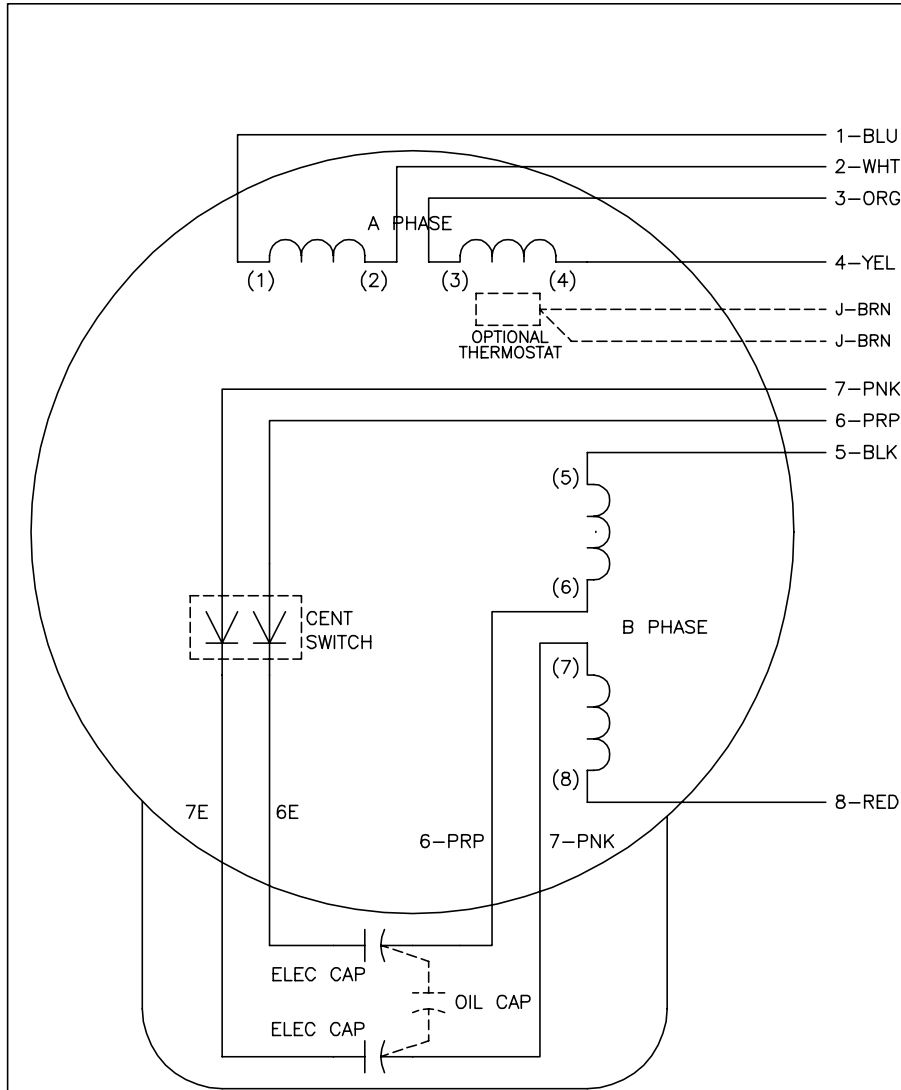
37LYD011

CUSTOMER IS RESPONSIBLE FOR DETERMINING THAT BALDOR'S PRODUCT WILL PERFORM SUITABLY IN THE INTENDED APPLICATION.

REV. DESC: REPLACE ENDPLATES		
REV. LTR: G	VERSION: 02	TDR: 000001018975
FILE: \AAA\00002\779	REVISED: 09:20:12 03/07/2017	BY: USZAHAR
MTL: -		

BALDOR
 STD HORZ NEMA 213-5 OPEN 37L
 SH 1 of 1

CD0076



	LINE A	LINE B	JOIN	JOIN
HIGH STD	1,8	4,5	2,3	6,7
HIGH OPP	1,5	4,8	2,3	6,7
LOW STD	1,3,6,8	2,4,5,7	-	-
LOW OPP	1,3,5,7	2,4,6,8	-	-

NOTES:

1. STANDARD ROTATION IS CCW FACING END OPPOSITE SHAFT EXTENSION.
2. OPTIONAL THERMOSTAT IS PROVIDED WHEN SPECIFIED.
3. OPTIONAL OIL CAP(S) ARE PROVIDED WHEN SPECIFIED. MULTIPLE OIL CAPS ARE CONNECTED IN PARALLEL.
4. LEAD COLORS ARE OPTIONAL. LEADS MUST ALWAYS BE NUMBERED AS SHOWN.

REV. DESC: ADD OPTIONAL COLORS			
REV. LTR: E	VERSION: 01	TDR: 000000372126	
9Z0000	FILE: \AAA\00007\419	REVISED: 15:44:39 09/28/2005	
	MTL: -	BY: ENJOEPO	

BALDOR ELECTRIC Co.

TYPE L OR LC, DV, REV, SERIES/PAR B PH, 8 LEAD

CD0076