

BALDOR® • RELIANCE 

Product Information Packet

L1506

3HP,1140RPM,1PH,60HZ,215,3735LC,OPEN,F1

Part Detail							
Revision:	AN	Status:	PRD/A	Change #:		Proprietary:	No
Type:	AC	Elec. Spec:	37WG0471	CD Diagram:	CD0076	Mfg Plant:	
Mech. Spec:	37E008	Layout:	37LYE008	Poles:	06	Created Date:	
Base:	RG	Eff. Date:	02-11-2022	Leads:	8#14		

Specs			
Catalog Number:	L1506	Inverter Code:	Not Inverter
Frame:	215	KVA Code:	H
Frame Material:	Steel	Lifting Lugs:	Standard Lifting Lugs
Output @ Frequency:	3.000 HP @ 60 HZ	Locked Bearing Indicator:	No Locked Bearing
Synchronous Speed @ Frequency:	1200 RPM @ 60 HZ	Motor Lead Quantity/Wire Size:	8 @ 14 AWG
Voltage @ Frequency:	230.0 V @ 60 HZ	Motor Lead Exit:	Ko Box
	115.0 V @ 60 HZ	Motor Lead Termination:	Flying Leads
XP Division:	Not Applicable	Motor Type:	3735LC
Agency Approvals:	CSA	Mounting Arrangement:	F1
	UR	Power Factor:	80
Auxillary Box:	No Auxillary Box	Product Family:	General Purpose
Auxillary Box Lead Termination:	None	Pulley End Bearing Type:	Ball
Base Indicator:	Rigid	Pulley Face Code:	Standard
Bearing Grease Type:	Polyrex EM (-20F +300F)	Pulley Shaft Indicator:	Standard
Blower:	None	Rodent Screen:	None
Current @ Voltage:	32.000 A @ 115.0 V	Shaft Extension Location:	Pulley End
	16.800 A @ 208.0 V	Shaft Ground Indicator:	No Shaft Grounding
	16.000 A @ 230.0 V	Shaft Rotation:	Reversible

Design Code:	L	Shaft Slinger Indicator:	No Slinger
Drip Cover:	No Drip Cover	Speed Code:	Single Speed
Duty Rating:	CONT	Motor Standards:	NEMA
Electrically Isolated Bearing:	Not Electrically Isolated	Starting Method:	Direct on line
Feedback Device:	NO FEEDBACK	Thermal Device - Bearing:	None
Front Face Code:	Standard	Thermal Device - Winding:	None
Front Shaft Indicator:	None	Vibration Sensor Indicator:	No Vibration Sensor
Heater Indicator:	No Heater	Winding Thermal 1:	None
Insulation Class:	B	Winding Thermal 2:	None

Nameplate NP1256L										
CAT.NO.										
SPEC.	37E08-471									
HP	3									
VOLTS	115/230									
AMP	32/16									
RPM	1140									
FRAME	215				HZ	60			PH	1
SER.F.	1.15		CODE	H	DES	L		CLASS	B	
NEMA-NOM-EFF	75		PF	80						
RATING	40C AMB-CONT									
CC								USABLE AT 208V	16.8	
DE	6307				ODE	6206				
ENCL	OPEN		SN							

AC Induction Motor Performance Data

Record # 11610

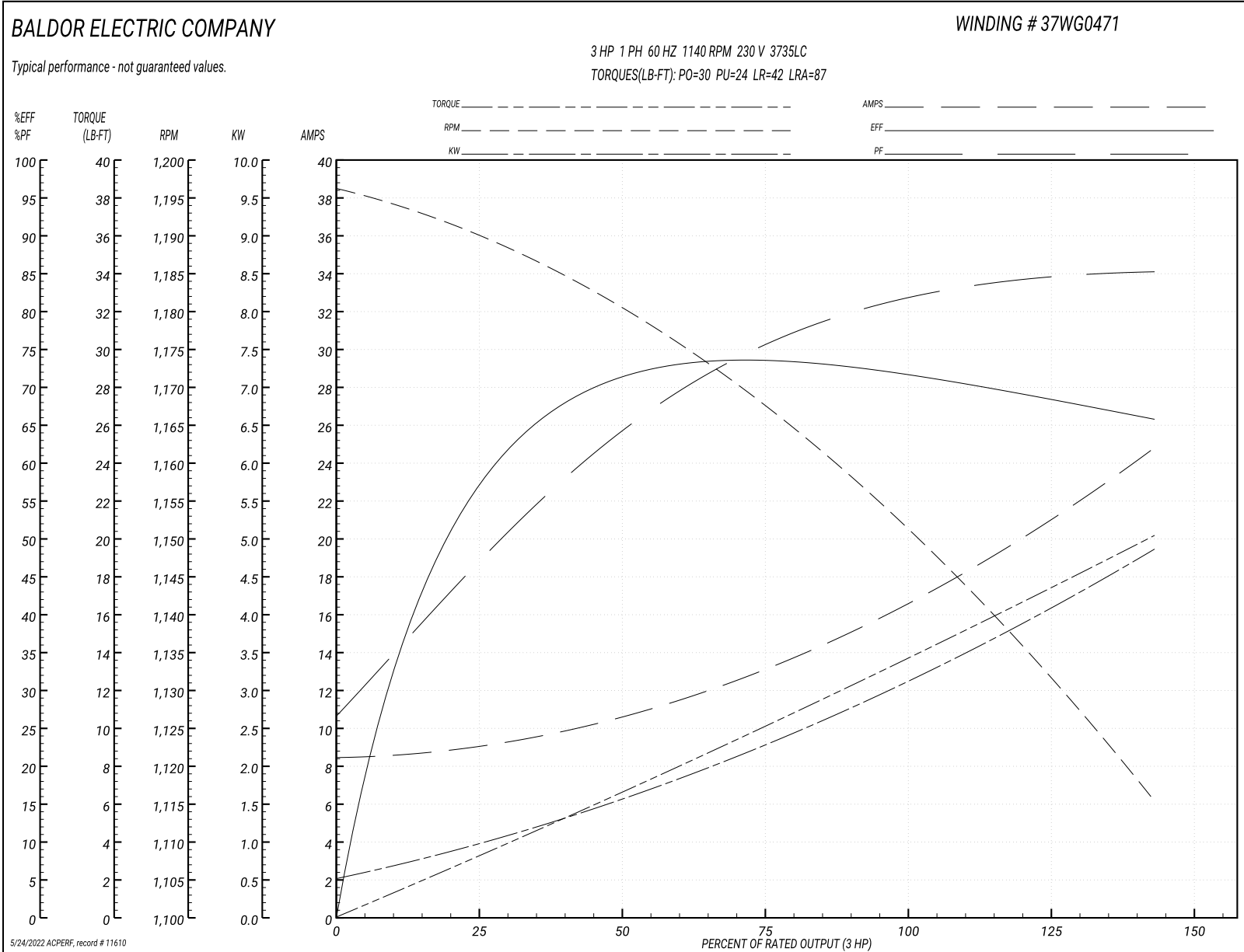
Typical performance - not guaranteed values

Winding: 37WG0471-R001		Type: 3735LC		Enclosure: OPEN	
Nameplate Data			230 V, 60 Hz: High Voltage Connection		
Rated Output (HP)	3	Full Load Torque	13.5 LB-FT		
Volts	115/230	Start Configuration	direct on line		
Full Load Amps	32/16	Breakdown Torque	30 LB-FT		
R.P.M.	1140	Pull-up Torque	24 LB-FT		
Hz	60 Phase	1	Locked-rotor Torque	42 LB-FT	
NEMA Design Code	L	KVA Code	H	Starting Current	87 A
Service Factor (S.F.)	1.15		No-load Current	8.5 A	
NEMA Nom. Eff.	75	Power Factor	80	Line-line Res. @ 25°C	0.816 Ω A Ph 2.41 Ω B Ph
Rating - Duty	40C AMB-CONT		Temp. Rise @ Rated Load	56°C	
S.F. Amps			Temp. Rise @ S.F. Load	70°C	

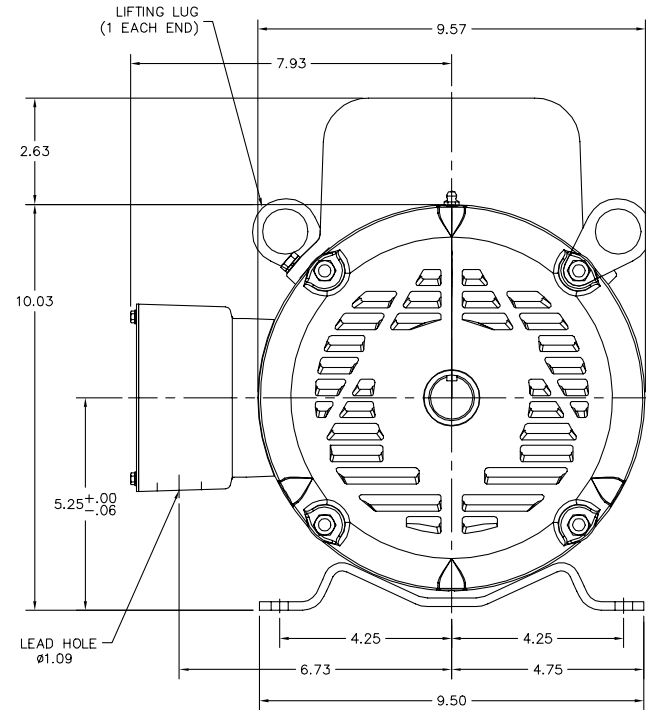
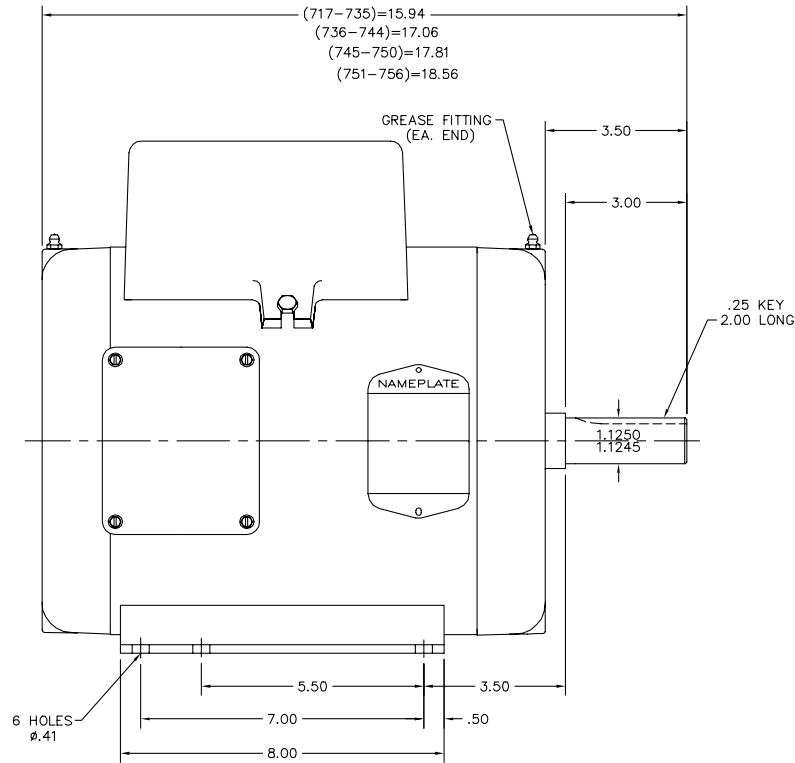
Load Characteristics 230 V, 60 Hz, 3 HP

% of Rated Load	25	50	75	100	125	150	S.F.
Power Factor	51	67	76	80	84	85	82
Efficiency	57	69	73	73	70	65	71.2
Speed	1188	1179	1167	1154	1137	1113	1144
Line amperes	8.9	10.7	13.4	16.3	20.1	25	18.6

Performance Graph at 230V, 60Hz, 3.0HP Typical performance - Not guaranteed values



37LYE008



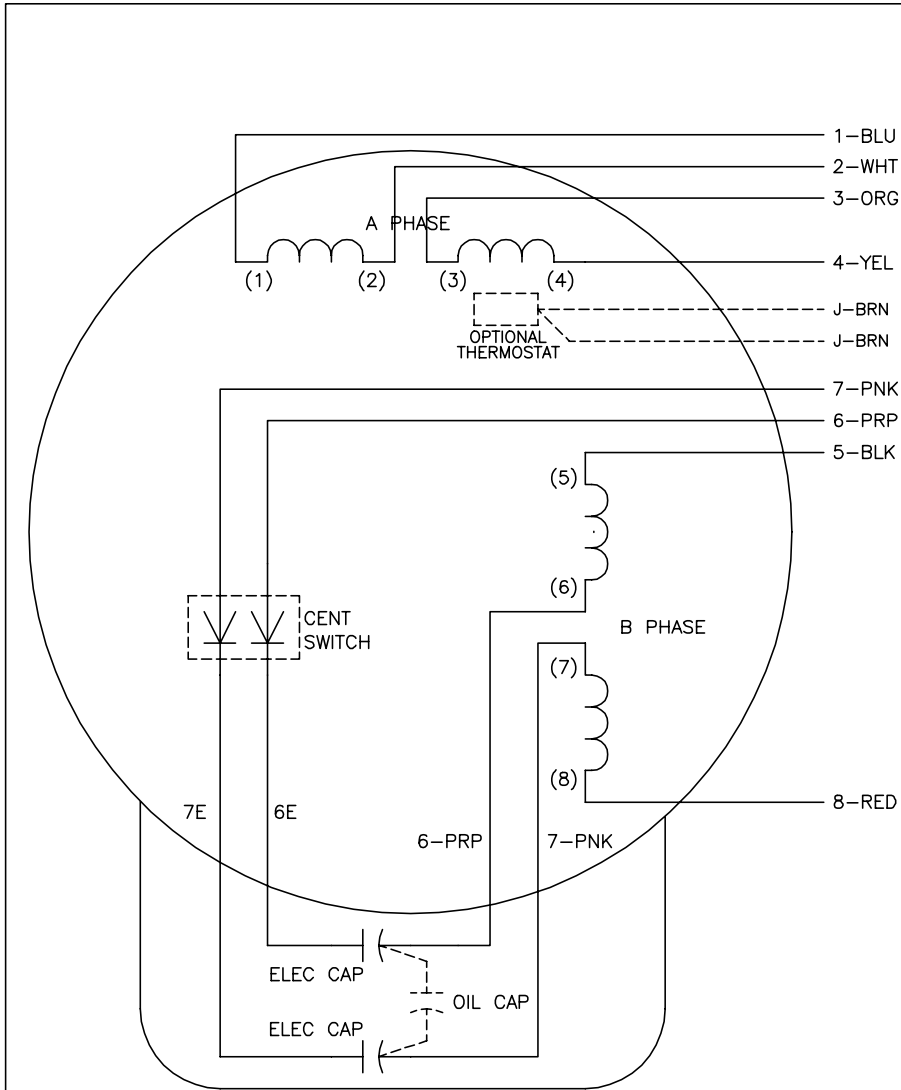
37LYE008

CUSTOMER IS RESPONSIBLE FOR DETERMINING THAT BALDOR'S PRODUCT WILL PERFORM SUITABLY IN THE INTENDED APPLICATION.

REV. DESC: REPLACE ENDPLATES		
REV. LTR: F	VERSION: 03	TDR: 000001018975
FILE: \AAA\00002\809	REVISED: 09:25:42 03/07/2017	BY: USZAHAR
MTL: -		

BALDOR
 STD HORZ NEMA 213-5 OPEN 37L-LC
 SH 1 of 1

CD0076



	LINE A	LINE B	JOIN	JOIN
HIGH STD	1,8	4,5	2,3	6,7
HIGH OPP	1,5	4,8	2,3	6,7
LOW STD	1,3,6,8	2,4,5,7	-	-
LOW OPP	1,3,5,7	2,4,6,8	-	-

NOTES:

1. STANDARD ROTATION IS CCW FACING END OPPOSITE SHAFT EXTENSION.
2. OPTIONAL THERMOSTAT IS PROVIDED WHEN SPECIFIED.
3. OPTIONAL OIL CAP(S) ARE PROVIDED WHEN SPECIFIED. MULTIPLE OIL CAPS ARE CONNECTED IN PARALLEL.
4. LEAD COLORS ARE OPTIONAL. LEADS MUST ALWAYS BE NUMBERED AS SHOWN.

CD0076

REV. DESC: ADD OPTIONAL COLORS			
REV. LTR: E	VERSION: 01	TDR: 000000372126	
9Z00D0	FILE: \AAA\00007\419	REVISED: 15:44:39 09/28/2005	
	MTL: -	BY: ENJOEPO	

BALDOR ELECTRIC Co.

TYPE L OR LC, DV, REV, SERIES/PAR B PH, 8 LEAD