

**BALDOR® • RELIANCE** 

**Product Information Packet**

**L1510T**

**7.5HP, 1750RPM, 1PH, 60HZ, 3740LC, N**

Part Detail							
Revision:	B	Status:	PRD/A	Change #:		Proprietary:	No
Type:	AC	Elec. Spec:	37WG003	CD Diagram:	CD0017A02	Mfg Plant:	
Mech. Spec:	37M295	Layout:	37LYM295	Poles:	04	Created Date:	11-20-2020
Base:	RG	Eff. Date:	02-02-2021	Leads:	2#10 A PH,2#14 B PH		

Specs			
Catalog Number:	L1510T	Inverter Code:	Not Inverter
Enclosure:	OPEN	KVA Code:	E
Frame:	215T	Lifting Lugs:	Standard Lifting Lugs
Frame Material:	Steel	Locked Bearing Indicator:	No Locked Bearing
Output @ Frequency:	7.500 HP @ 60 HZ	Motor Lead Quantity/Wire Size:	2 @ 10 AWG, A PH
Synchronous Speed @ Frequency:	1800 RPM @ 60 HZ	Motor Lead Exit:	Ko Box
Voltage @ Frequency:	230.0 V @ 60 HZ	Motor Lead Termination:	Flying Leads
XP Class and Group:	None	Motor Type:	3740LC
XP Division:	Not Applicable	Mounting Arrangement:	F1
Agency Approvals:	CSA	Power Factor:	87
	UR	Product Family:	General Purpose
Auxillary Box:	No Auxillary Box	Pulley End Bearing Type:	Ball
Auxillary Box Lead Termination:	None	Pulley Face Code:	Standard
Base Indicator:	Rigid	Pulley Shaft Indicator:	Standard
Bearing Grease Type:	Polyrex EM (-20F +300F)	Rodent Screen:	None
Blower:	None	Shaft Extension Location:	Pulley End
Current @ Voltage:	33.000 A @ 230.0 V	Shaft Ground Indicator:	No Shaft Grounding
	35.500 A @ 208.0 V	Shaft Rotation:	Reversible

Product Information Packet: L1510T - 7.5HP,1750RPM,1PH,60HZ,3740LC,N

<b>Design Code:</b>	L	<b>Shaft Slinger Indicator:</b>	No Slinger
<b>Drip Cover:</b>	No Drip Cover	<b>Speed Code:</b>	Single Speed
<b>Duty Rating:</b>	CONT	<b>Motor Standards:</b>	NEMA
<b>Electrically Isolated Bearing:</b>	Not Electrically Isolated	<b>Starting Method:</b>	Direct on line
<b>Feedback Device:</b>	NO FEEDBACK	<b>Thermal Device - Bearing:</b>	None
<b>Front Face Code:</b>	Standard	<b>Thermal Device - Winding:</b>	None
<b>Front Shaft Indicator:</b>	None	<b>Vibration Sensor Indicator:</b>	No Vibration Sensor
<b>Heater Indicator:</b>	No Heater	<b>Winding Thermal 1:</b>	None
<b>Insulation Class:</b>	F	<b>Winding Thermal 2:</b>	None

Nameplate NP1256L										
CAT.NO.	L1510T									
SPEC.	37M295W003G1									
HP	7.5									
VOLTS	230									
AMP	33									
RPM	1750									
FRAME	215T				HZ	60			PH	1
SER.F.	1.15		CODE	E	DES	L		CLASS	F	
NEMA-NOM-EFF	85.5		PF	87						
RATING	40C AMB-CONT									
CC								USABLE AT 208V	35.5	
DE	6307				ODE	6206				
ENCL	OPEN		SN							

**AC Induction Motor Performance Data**

Record # 85588

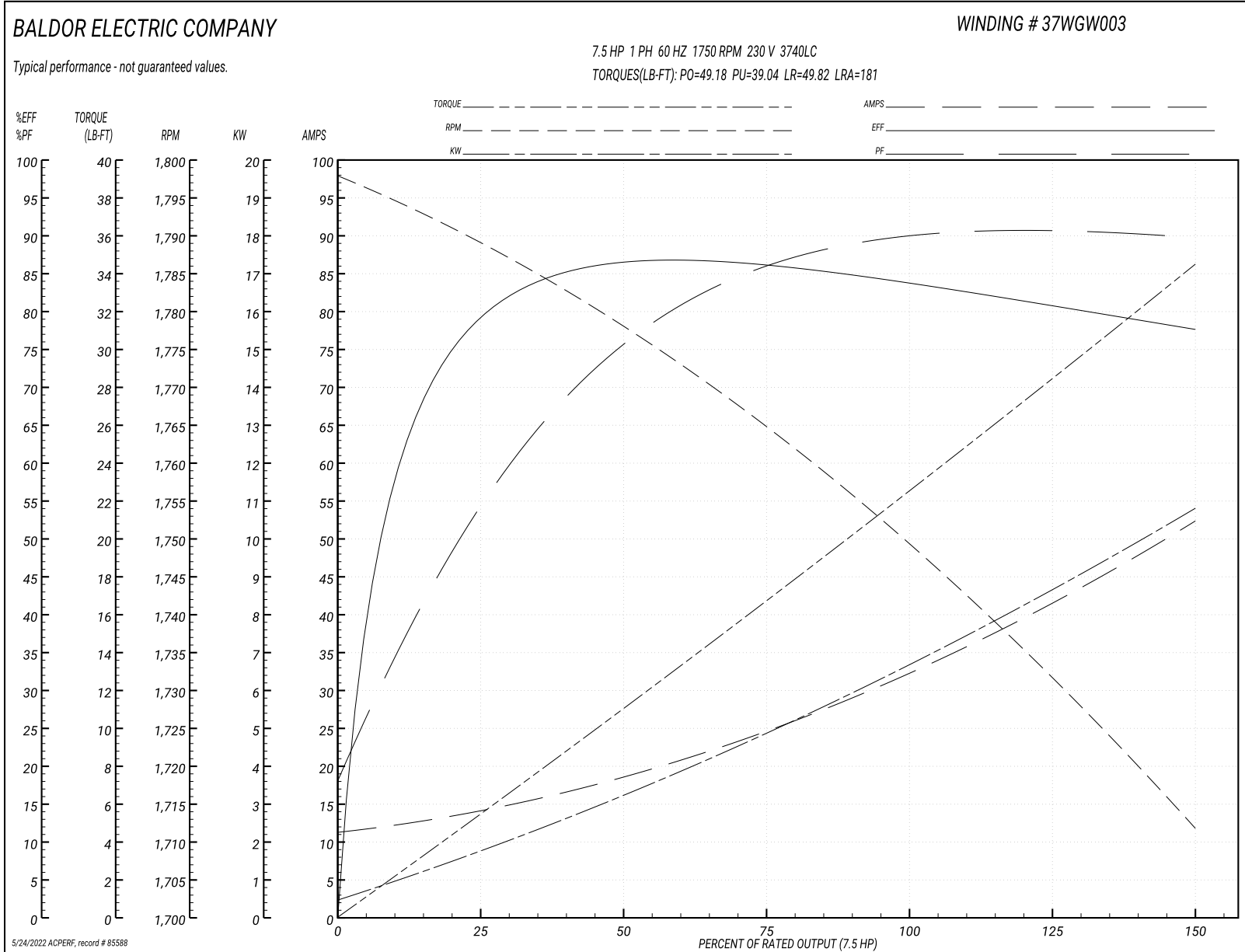
Typical performance - not guaranteed values

<b>Winding:</b> 37GW003-R001		<b>Type:</b> 3740LC		<b>Enclosure:</b> OPSB	
<b>Nameplate Data</b>			<b>230 V, 60 Hz: Single Voltage Motor</b>		
<b>Rated Output (HP)</b>	7.5	<b>Full Load Torque</b>	22.52 LB-FT		
<b>Volts</b>	230	<b>Start Configuration</b>	direct on line		
<b>Full Load Amps</b>	33	<b>Breakdown Torque</b>	49.18 LB-FT		
<b>R.P.M.</b>	1750	<b>Pull-up Torque</b>	39.04 LB-FT		
<b>Hz</b>	60 <b>Phase</b>	1	<b>Locked-rotor Torque</b>	49.82 LB-FT	
<b>NEMA Design Code</b>	L	<b>KVA Code</b>	E	<b>Starting Current</b>	181 A
<b>Service Factor (S.F.)</b>	1.15		<b>No-load Current</b>	11.57 A	
<b>NEMA Nom. Eff.</b>	85.5	<b>Power Factor</b>	87	<b>Line-line Res. @ 25°C</b>	0.318 Ω A Ph 1.82 Ω B Ph
<b>Rating - Duty</b>	40C AMB-CONT		<b>Temp. Rise @ Rated Load</b>	73°C	
<b>S.F. Amps</b>			<b>Temp. Rise @ S.F. Load</b>	91°C	
			<b>Locked-rotor Power Factor</b>	76.5	
			<b>Rotor inertia</b>	0.984 lb-ft <sup>2</sup>	

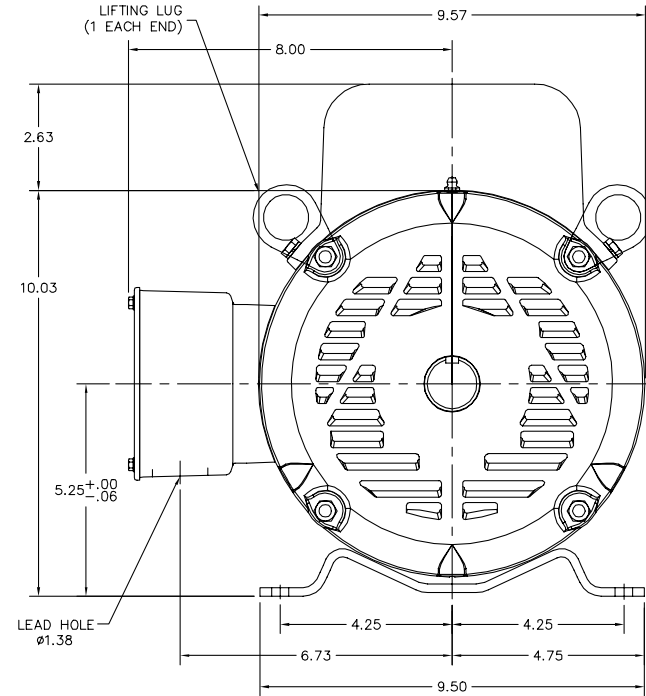
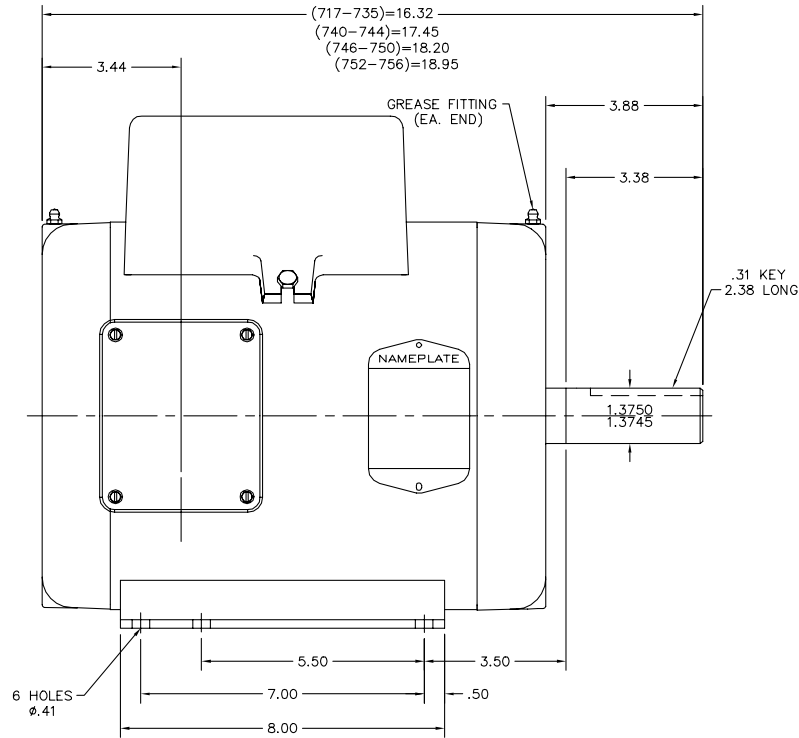
**Load Characteristics 230 V, 60 Hz, 7.5 HP**

<b>% of Rated Load</b>	<b>25</b>	<b>50</b>	<b>75</b>	<b>100</b>	<b>125</b>	<b>150</b>	<b>S.F.</b>
<b>Power Factor</b>	58	77	85	89	90	90	90
<b>Efficiency</b>	77.7	85	86	84.4	81.3	77.2	82.5
<b>Speed</b>	1788	1777	1765	1751	1732	1711	1740
<b>Line amperes</b>	13.69	18.43	24.76	32.37	41.61	52.25	37.9

Performance Graph at 230V, 60Hz, 7.5HP Typical performance - Not guaranteed values



37LYM295



37LYM295

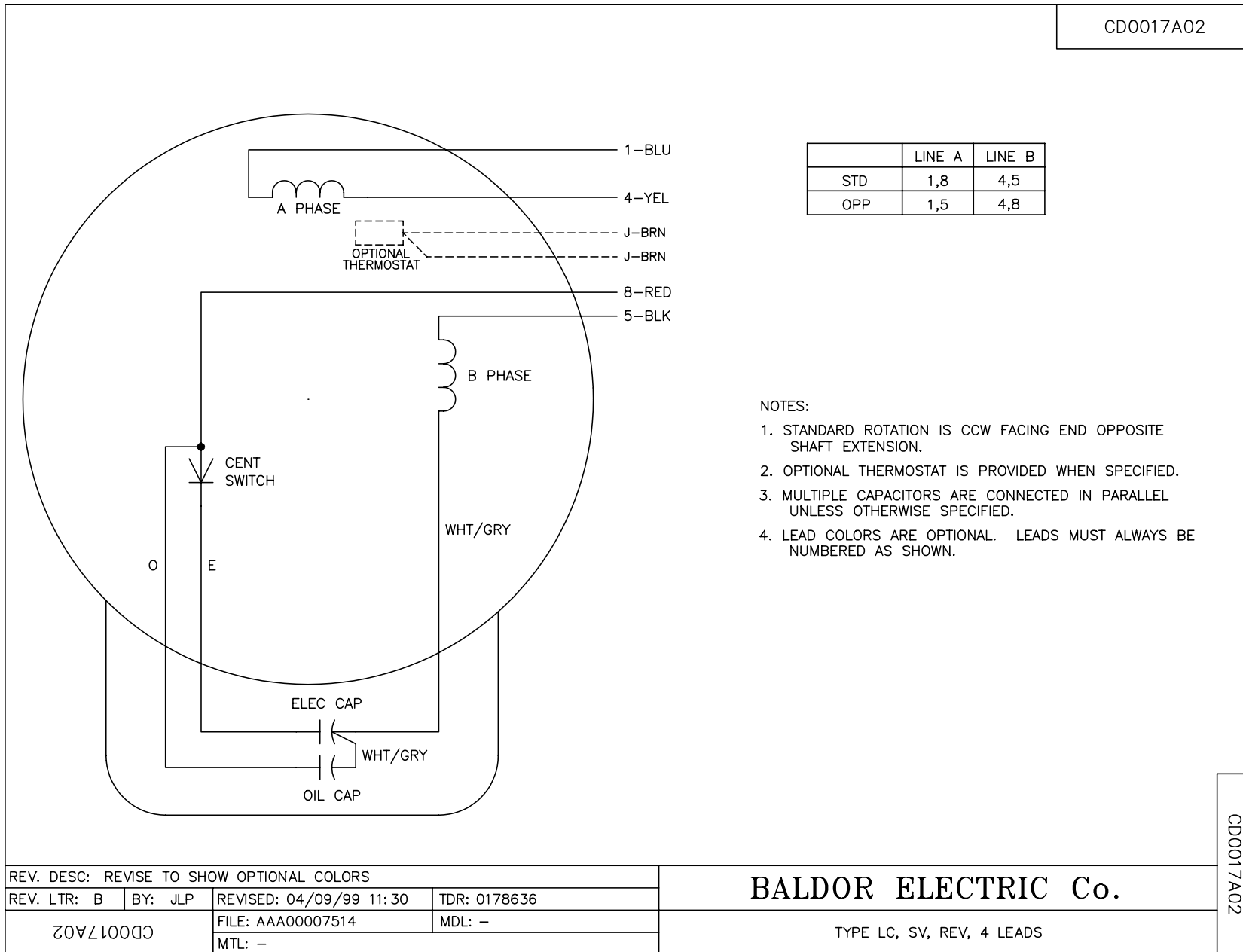
CUSTOMER IS RESPONSIBLE FOR DETERMINING THAT BALDOR'S PRODUCT WILL PERFORM SUITABLY IN THE INTENDED APPLICATION.

REV. DESC: REPLACE ENDPLATES		
REV. LTR: A	VERSION: 01	TDR: 000001018975
FILE: \AAA\00168\675	REVISED: 01:08:57 03/07/2017	BY: USZAHAR
MTL: -		

**BALDOR**

HORZ 213-5T OPEN 37L-LC, TORQ SWITCH  
SH 1 of 1

CD0017A02



REV. DESC: REVISE TO SHOW OPTIONAL COLORS			
REV. LTR: B	BY: JLP	REVISED: 04/09/99 11:30	TDR: 0178636
CD0017A02		FILE: AAA00007514	MDL: -
		MTL: -	

**BALDOR ELECTRIC Co.**

TYPE LC, SV, REV, 4 LEADS

CD0017A02