

**BALDOR® • RELIANCE** 

**Product Information Packet**

**L3510-50**

**1/.75KW IEC60034-30HP,1410 1/MIN IC411R**

Part Detail							
Revision:	-	Status:	PRD/A	Change #:		Proprietary:	No
Type:	AC	Elec. Spec:	35WGG392	CD Diagram:	CD0001	Mfg Plant:	
Mech. Spec:	35C011	Layout:	35LYC011	Poles:	04	Created Date:	08-01-2022
Base:	RG	Eff. Date:	10-10-2022	Leads:	6#18		

Specs			
Catalog Number:	L3510-50	Insulation Class:	F
Enclosure:	TEFC	Inverter Code:	Not Inverter
Frame:	56	IP Rating:	NONE
Frame Material:	Steel	KVA Code:	J
Motor Letter Type:	Cap Start, Induction Run	Lifting Lugs:	No Lifting Lugs
Output @ Frequency:	1.000 HP @ 50 HZ	Locked Bearing Indicator:	No Locked Bearing
Synchronous Speed @ Frequency:	1500 RPM @ 50 HZ	Motor Lead Quantity/Wire Size:	6 @ 18 AWG
Voltage @ Frequency:	110.0 V @ 50 HZ	Motor Lead Exit:	Ko Box
	220.0 V @ 50 HZ	Motor Lead Termination:	Flying Leads
XP Class and Group:	None	Motor Type:	3524L
XP Division:	Not Applicable	Mounting Arrangement:	F1
Agency Approvals:	CE	Power Factor:	82
	CSA	Product Family:	General Purpose
	UR	Pulley End Bearing Type:	Ball
	WEEE	Pulley Face Code:	Standard
Auxillary Box:	No Auxillary Box	Pulley Shaft Indicator:	Standard
Auxillary Box Lead Termination:	None	Rodent Screen:	None
Base Indicator:	Rigid	RoHS Status:	ROHS COMPLIANT

<b>Bearing Grease Type:</b>	Polyrex EM (-20F +300F)	<b>Shaft Extension Location:</b>	Pulley End
<b>Blower:</b>	None	<b>Shaft Ground Indicator:</b>	No Shaft Grounding
<b>Current @ Voltage:</b>	6.500 A @ 220.0 V	<b>Shaft Rotation:</b>	Reversible
	13.000 A @ 110.0 V	<b>Shaft Slinger Indicator:</b>	No Slinger
<b>Design Code:</b>	L	<b>Speed Code:</b>	Single Speed
<b>Drip Cover:</b>	No Drip Cover	<b>Motor Standards:</b>	NEMA
<b>Duty Rating:</b>	CONT	<b>Starting Method:</b>	Direct on line
<b>Electrically Isolated Bearing:</b>	Not Electrically Isolated	<b>Thermal Device - Bearing:</b>	None
<b>Feedback Device:</b>	NO FEEDBACK	<b>Thermal Device - Winding:</b>	None
<b>Front Face Code:</b>	Standard	<b>Vibration Sensor Indicator:</b>	No Vibration Sensor
<b>Front Shaft Indicator:</b>	None	<b>Winding Thermal 1:</b>	None
<b>Heater Indicator:</b>	No Heater	<b>Winding Thermal 2:</b>	None

Nameplate NP1372L													
CAT.NO.	L3510-50												
SPEC.	35C11YG392												
HP	1/.75KW IEC60034-30												
VOLTS	110/220												
AMP	13/6.5												
RPM	1410 1/MIN IC411 24KG												
FRAME	56					HZ	50			PH	1		
SER.F.	1.15					CODE	J		DES	L		CL	F
NEMA-NOM-EFF	64					PF	82						
RATING	40C AMB-CONT												
CC										USABLE AT 208V	N/A		
DE	6205					ODE	6203						
ENCL	TEFC					SN							
	IP54												

**AC Induction Motor Performance Data**

Record # 89042

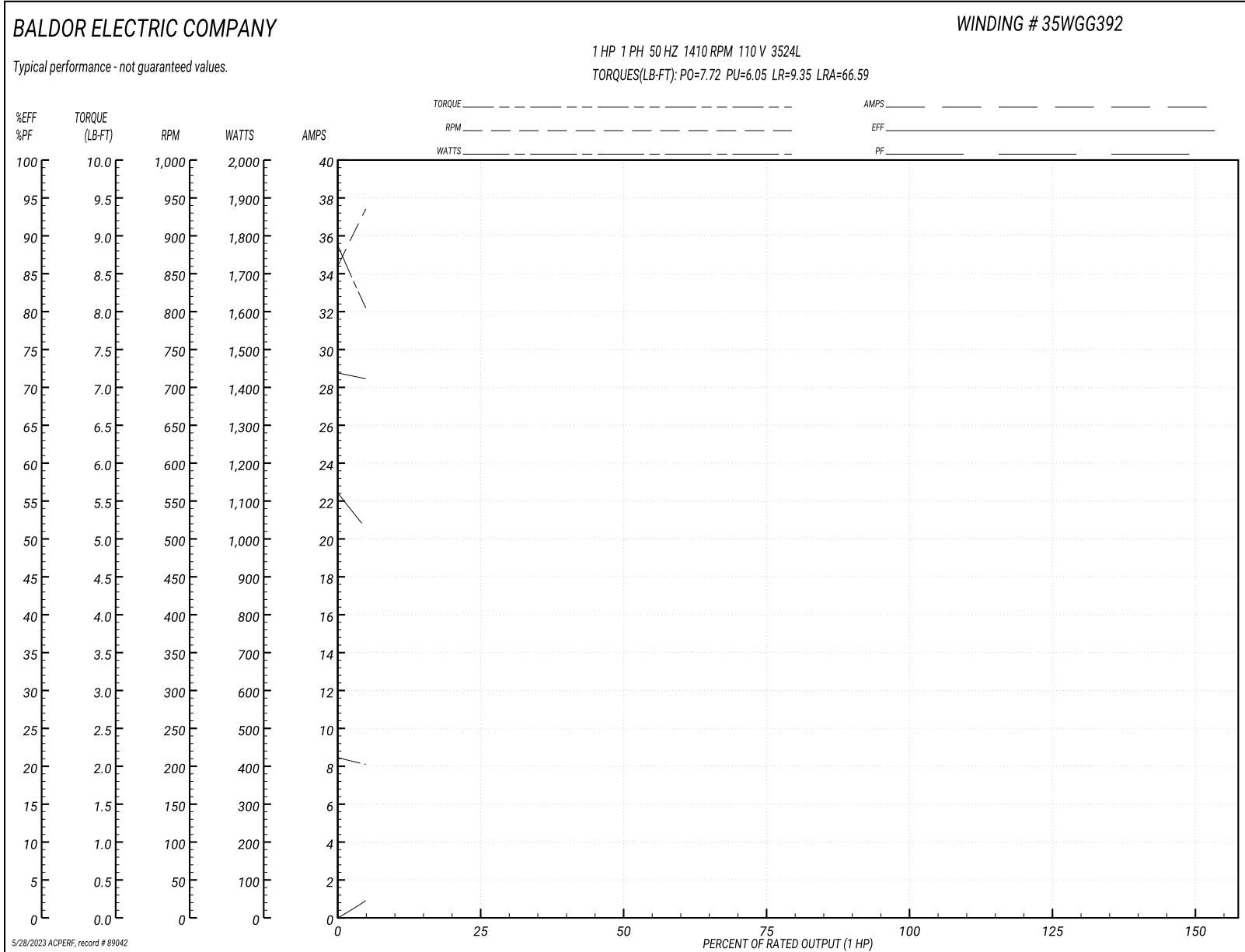
Typical performance - not guaranteed values

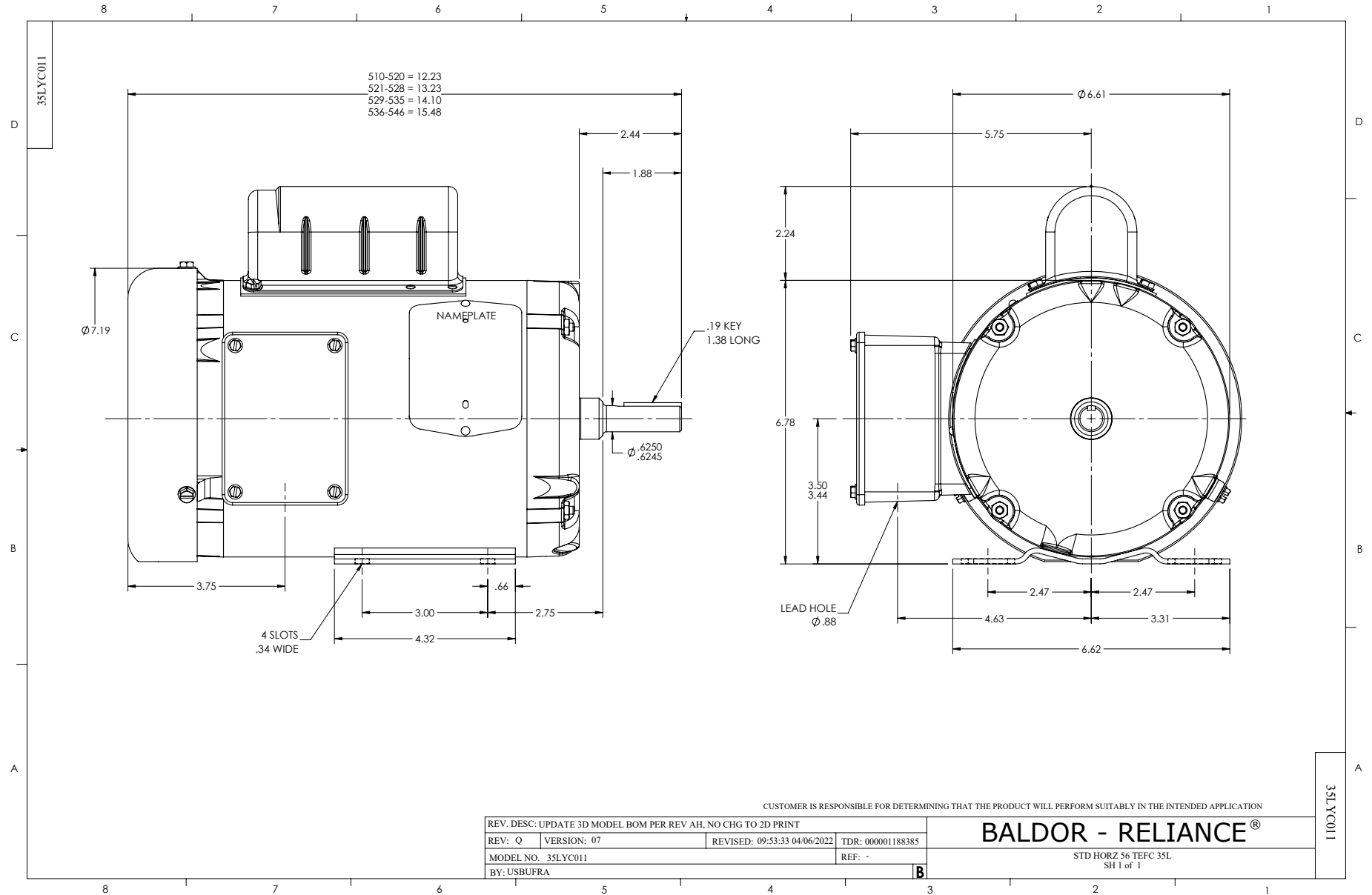
Winding: 35WGG392-R001			Type: 3524L	Enclosure: TEFC	
<b>Nameplate Data</b>			<b>110 V, 50 Hz: Low Voltage Connection</b>		
Rated Output (HP)		1	Full Load Torque	3.74 LB-FT	
Volts		110/220	Start Configuration	direct on line	
Full Load Amps		13/6.5	Breakdown Torque	7.72 LB-FT	
R.P.M.		1410	Pull-up Torque	6.05 LB-FT	
Hz	50 Phase	1	Locked-rotor Torque	9.35 LB-FT	
NEMA Design Code	L KVA Code	J	Starting Current	66.59 A	
Service Factor (S.F.)		1.15	No-load Current	6.97 A	
NEMA Nom. Eff.	64 Power Factor	82	Line-line Res. @ 25°C	0.757 Ω A Ph 1.89 Ω B Ph	
Rating - Duty		40C AMB-CONT	Temp. Rise @ Rated Load	131°C	
S.F. Amps			Temp. Rise @ S.F. Load	154°C	
			Locked-rotor Power Factor	95.8	
			Rotor inertia	0.174 lb-ft <sup>2</sup>	

**Load Characteristics 110 V, 50 Hz, 1 HP**

% of Rated Load	25	50	75	100	125	150	S.F.
Power Factor	44	62	74	82	86	84	84
Efficiency	53.1	63.9	66.3	64.6	59.2	0.9	61.4
Speed	1481	1462	1439	1409	1363	52.08	1381
Line amperes	7.45	8.61	10.42	12.92	16.54	41.99	15.1

Performance Graph at 110V, 50Hz, 1.0HP Typical performance - Not guaranteed values





CD0001



REV. DESC: REVISE TO SHOW OPTIONAL COLORS			
REV. LTR: D	BY: JLP	REVISED: 04/08/99 1:16	TDR: 0178636
100000		FILE: AAA00007405	MDL: -
		MTL: -	

**BALDOR ELECTRIC Co.**

TYPE L, DV, REV, 6 LEADS

CD0001