

BALDOR® • RELIANCE 

Product Information Packet

L3515-50

2HP,2850RPM,1PH,50HZ,56,3535LC,TEFC,F1

Part Detail							
Revision:	AC	Status:	PRD/A	Change #:		Proprietary:	No
Type:	AC	Elec. Spec:	35WGY963	CD Diagram:	CD0055	Mfg Plant:	
Mech. Spec:	35T948	Layout:	35LYT948	Poles:	02	Created Date:	06-22-2007
Base:	RG	Eff. Date:	08-22-2023	Leads:	4#16 A PH,2#18 B PH		

Specs			
Catalog Number:	L3515-50	Heater Indicator:	No Heater
Enclosure:	TEFC	Insulation Class:	F
Frame:	56	Inverter Code:	Not Inverter
Frame Material:	Steel	KVA Code:	G
Motor Letter Type:	Cap Start, Cap Run	Lifting Lugs:	No Lifting Lugs
Output @ Frequency:	2.000 HP @ 50 HZ	Locked Bearing Indicator:	No Locked Bearing
Synchronous Speed @ Frequency:	3000 RPM @ 50 HZ	Motor Lead Quantity/Wire Size:	4 @ 16 AWG, A PH
Voltage @ Frequency:	110.0 V @ 50 HZ	Motor Lead Exit:	Ko Box
	220.0 V @ 50 HZ	Motor Lead Termination:	Flying Leads
XP Class and Group:	None	Motor Type:	3535LC
XP Division:	Not Applicable	Mounting Arrangement:	F1
Agency Approvals:	CE	Power Factor:	96
	CSA	Product Family:	General Purpose
	UR	Pulley End Bearing Type:	Ball
	WEEE	Pulley Face Code:	Standard
Auxillary Box:	No Auxillary Box	Pulley Shaft Indicator:	Standard
Auxillary Box Lead Termination:	None	Rodent Screen:	None
Base Indicator:	Rigid	RoHS Status:	ROHS COMPLIANT

Bearing Grease Type:	Polyrex EM (-20F +300F)	Shaft Extension Location:	Pulley End
Blower:	None	Shaft Ground Indicator:	No Shaft Grounding
Current @ Voltage:	9.700 A @ 220.0 V	Shaft Rotation:	Reversible
	19.400 A @ 110.0 V	Shaft Slinger Indicator:	No Slinger
Design Code:	L	Speed Code:	Single Speed
Drip Cover:	No Drip Cover	Motor Standards:	NEMA
Duty Rating:	CONT	Starting Method:	Direct on line
Electrically Isolated Bearing:	Not Electrically Isolated	Thermal Device - Bearing:	None
Feedback Device:	NO FEEDBACK	Thermal Device - Winding:	None
Front Face Code:	Standard	Vibration Sensor Indicator:	No Vibration Sensor
Front Shaft Indicator:	None	Winding Thermal 1:	None
		Winding Thermal 2:	None

Nameplate NP1372L													
CAT.NO.	L3515-50												
SPEC.	35T948Y963G1												
HP	2/1.5KW												
VOLTS	110/220												
AMP	19.4/9.7												
R.P.M. (1/MIN)	2850												
FRAME	56					HZ	50			PH	1		
SER.F.	1.15					CODE	G		DES	L		CL	F
NEMA-NOM-EFF	77					PF	96						
RATING	40C AMB-CONT												
CC						IP54 IC411 24KG							
DE	6205					ODE	6203						
ENCL	TEFC					SN							

AC Induction Motor Performance Data

Record # 20609

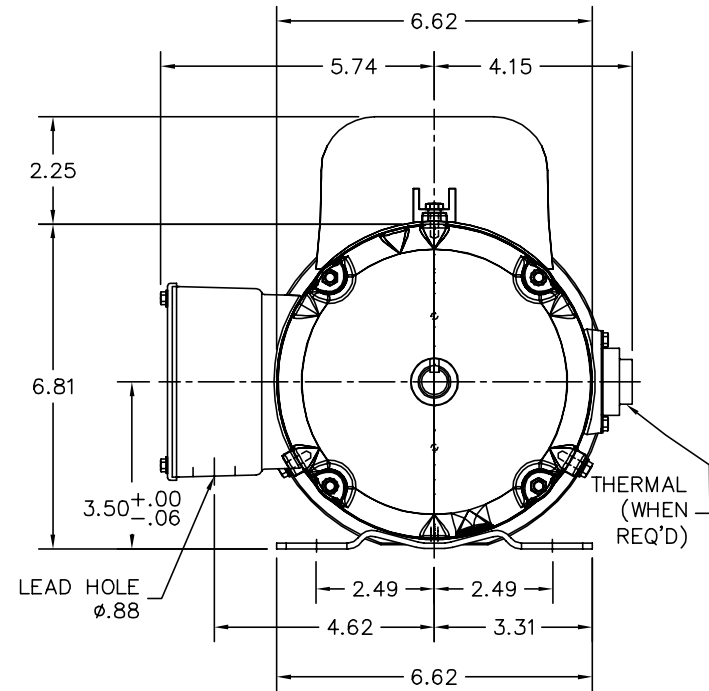
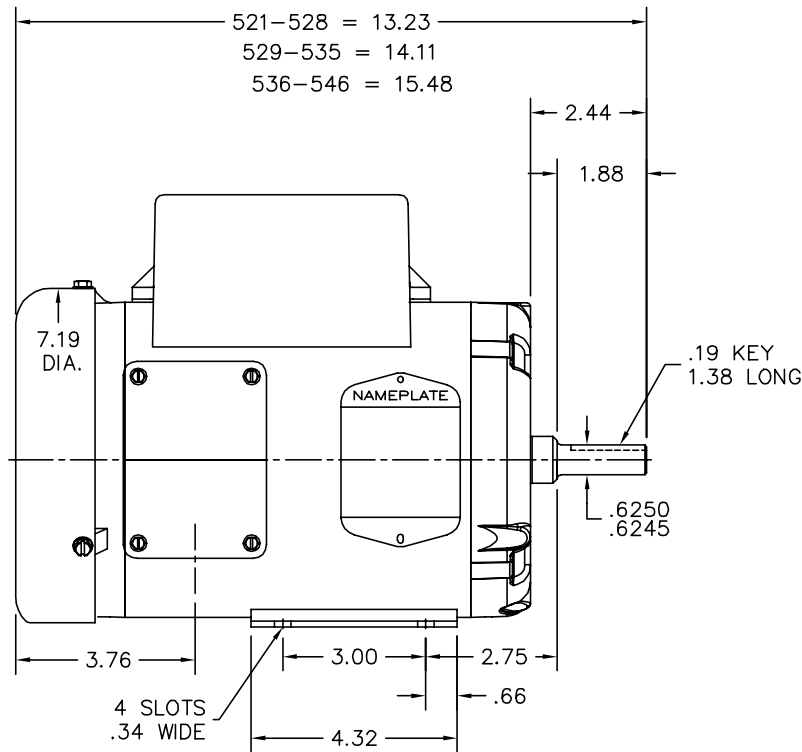
Typical performance - not guaranteed values

Winding: 35WGY963-R002		Type: 3535LC		Enclosure: TEFC	
Nameplate Data			110 V, 50 Hz: Low Voltage Connection		
Rated Output (HP)	2		Full Load Torque	3.6 LB-FT	
Volts	110/220		Start Configuration	direct on line	
Full Load Amps	19.4/9.7		Breakdown Torque	8.7 LB-FT	
R.P.M.	2850		Pull-up Torque	5.2 LB-FT	
Hz	50 Phase	1	Locked-rotor Torque	7 LB-FT	
NEMA Design Code	L KVA Code	G	Starting Current	120 A	
Service Factor (S.F.)	1.15		No-load Current	5 A	
NEMA Nom. Eff.	77 Power Factor	96	Line-line Res. @ 25°C	0.256 Ω A Ph 1.64 Ω B Ph	
Rating - Duty	40C AMB-CONT		Temp. Rise @ Rated Load	82°C	

Load Characteristics 110 V, 50 Hz, 2 HP

% of Rated Load	25	50	75	100	125	150
Power Factor	78	89	93	94	95	95
Efficiency	60.3	73.4	77.8	78.8	78	75.9
Speed	2972	2948	2922	2893	2859	2817
Line amperes	7.2	10.4	14.1	18.2	22.9	28.2

35LYT948



CUSTOMER IS RESPONSIBLE FOR DETERMINING THAT BALDOR'S PRODUCT WILL PERFORM SUITABLY IN THE INTENDED APPLICATION.

REV. DESC: REPLACE ENDPLATES		
REV. LTR: B	VERSION: 02	TDR: 000001063223
FILE: \AAA\00111\251	REVISED: 10:53:28 03/09/2018	BY: FPJFEGO
MTL: -	⊙ □	

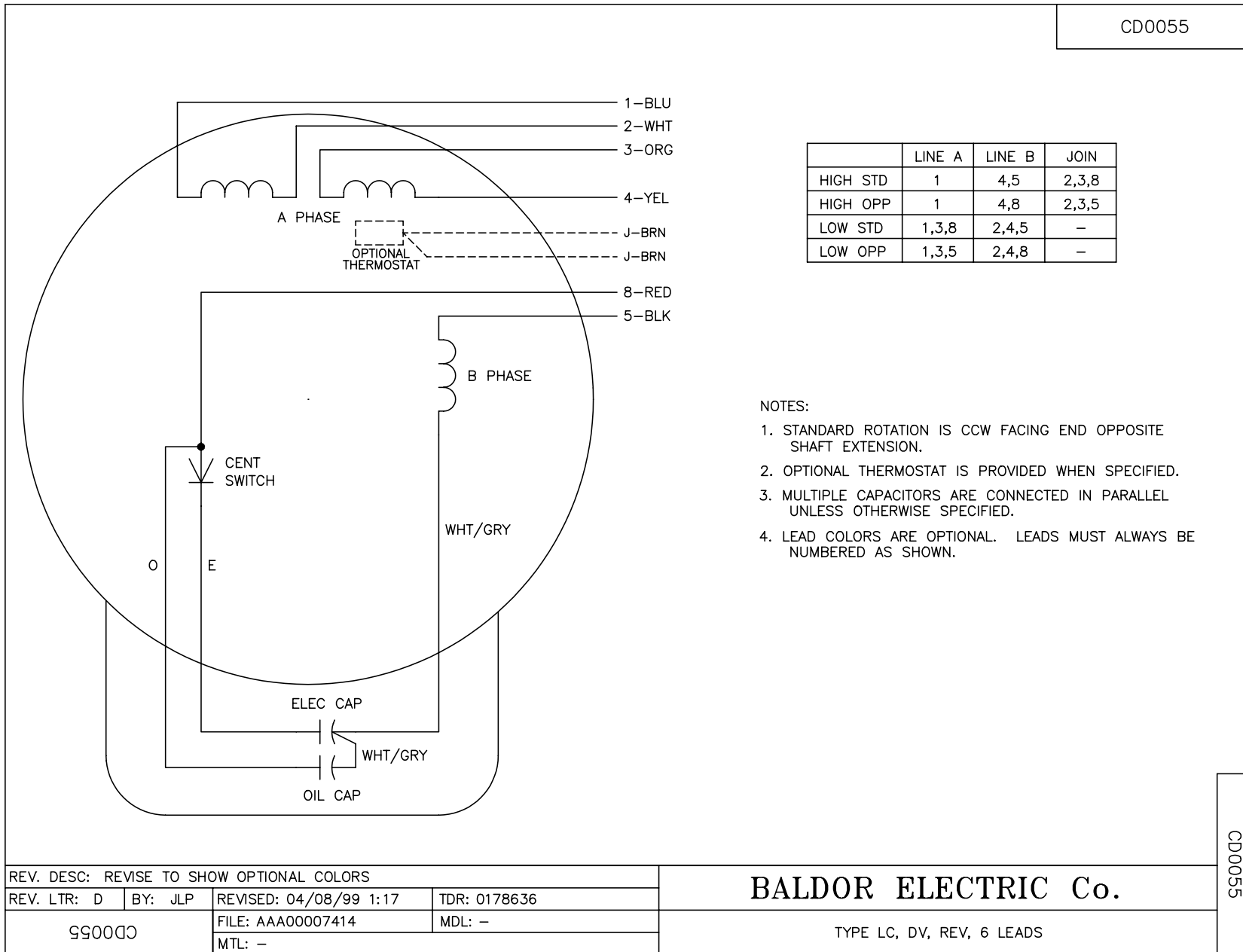
BALDOR

STD HORZ 35LC 56 TEFC, 2 POLE "W" BASE (35BA4010)

SH 1 of 1

35LYT948

CD0055



REV. DESC: REVISE TO SHOW OPTIONAL COLORS			
REV. LTR: D	BY: JLP	REVISED: 04/08/99 1:17	TDR: 0178636
990000		FILE: AAA00007414	MDL: -
CD0055		MTL: -	

BALDOR ELECTRIC Co.

TYPE LC, DV, REV, 6 LEADS

CD0055