

BALDOR® • RELIANCE 

Product Information Packet

M1510T

10/5HP, 1775/880RPM, 3PH, 60HZ, 254T, 0940M, T

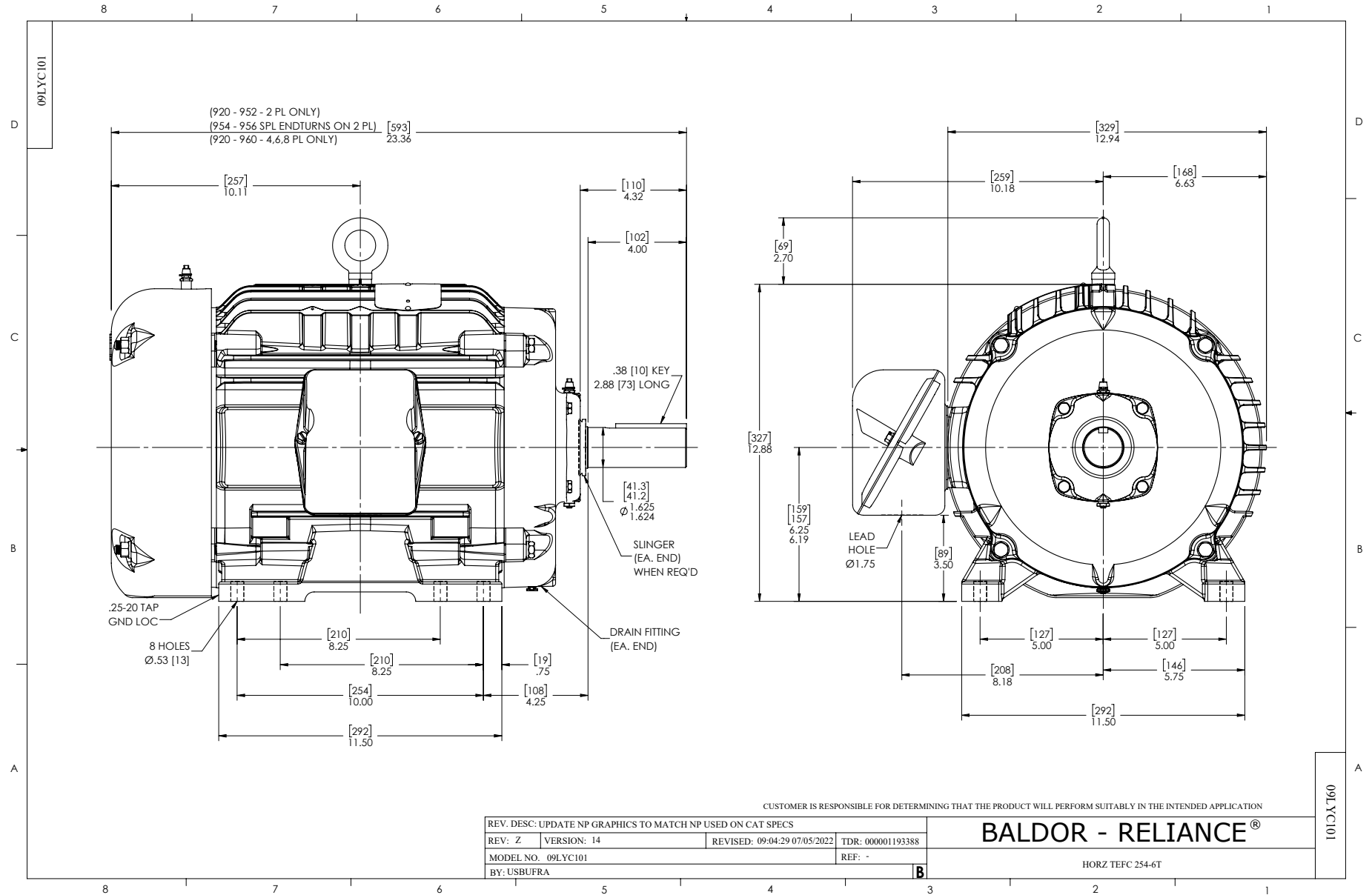
Part Detail							
Revision:	P	Status:	INA/A	Change #:		Proprietary:	No
Type:	AC	Elec. Spec:	09WGZ324	CD Diagram:	CD0011	Mfg Plant:	
Mech. Spec:	09C101	Layout:	09LYC101	Poles:	04/08	Created Date:	04-02-2007
Base:	RG	Eff. Date:	08-27-2020	Leads:	6#10		

Specs			
Catalog Number:	M1510T	Insulation Class:	F
Enclosure:	TEFC	Inverter Code:	Not Inverter
Frame:	254T	KVA Code:	J
Frame Material:	Iron	Lifting Lugs:	Standard Lifting Lugs
Motor Letter Type:	Three Phase	Locked Bearing Indicator:	Locked Bearing
Output @ Frequency:	10.000 HP @ 60 HZ	Motor Lead Quantity/Wire Size:	6 @ 10 AWG
	5.000 HP @ 60 HZ	Motor Lead Exit:	Ko Box
Synchronous Speed @ Frequency:	1800 RPM @ 60 HZ	Motor Lead Termination:	Flying Leads
	900 RPM @ 60 HZ	Motor Type:	0940M
Voltage @ Frequency:	230.0 V @ 60 HZ	Mounting Arrangement:	F1
XP Division:	Not Applicable	Product Family:	General Purpose
Agency Approvals:	UR	Pulley End Bearing Type:	Ball
	CSA	Pulley Face Code:	Standard
Auxillary Box:	No Auxillary Box	Pulley Shaft Indicator:	Standard
Auxillary Box Lead Termination:	None	Rodent Screen:	None
Base Indicator:	Rigid	Shaft Extension Location:	Pulley End
Bearing Grease Type:	Polyrex EM (-20F +300F)	Shaft Ground Indicator:	No Shaft Grounding
Blower:	None	Shaft Rotation:	Reversible

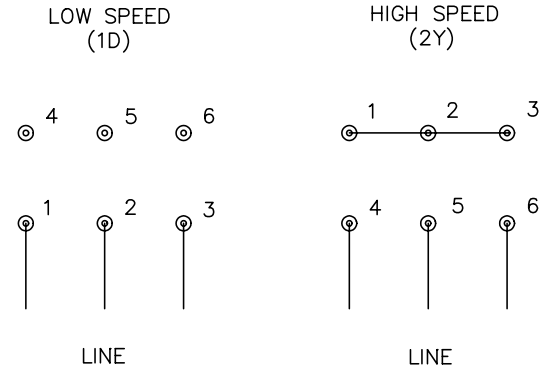
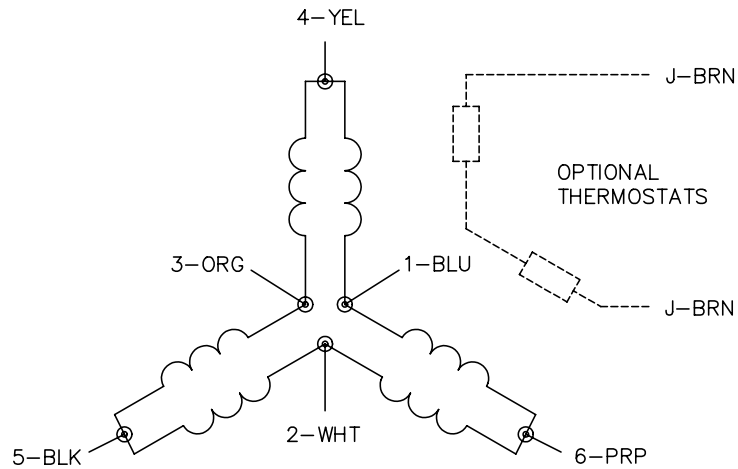
Current @ Voltage:	25.600 A @ 230.0 V	Shaft Slinger Indicator:	Shaft Slinger
Design Code:	B	Speed Code:	2S-1W-CT
Drip Cover:	No Drip Cover	Motor Standards:	NEMA
Duty Rating:	CONT	Starting Method:	Direct on line
Electrically Isolated Bearing:	Not Electrically Isolated	Thermal Device - Bearing:	None
Feedback Device:	NO FEEDBACK	Thermal Device - Winding:	None
Front Face Code:	Standard	Vibration Sensor Indicator:	No Vibration Sensor
Front Shaft Indicator:	None	Winding Thermal 1:	None
Heater Indicator:	No Heater	Winding Thermal 2:	None

Nameplate NP1256L										
CAT.NO.										
SPEC.	09C101Z324									
HP	10/5									
VOLTS	230									
AMP	25.6/23.2									
RPM	1775/880									
FRAME	254T				HZ	60			PH	3
SER.F.	1.15		CODE	J	DES	B		CLASS	F	
NEMA-NOM-EFF			PF							
RATING	40C AMB-CONT									
CC									USABLE AT 208V	N/A
DE	6309				ODE	6208				
ENCL	TEFC		SN							

No performance data has been
assigned to this product.



CD0011



- NOTES:
1. INTERCHANGE ANY TWO LINE LEADS TO REVERSE ROTATION.
 2. OPTIONAL THERMOSTATS ARE PROVIDED WHEN SPECIFIED.
 3. ACTUAL NUMBER OF INTERNAL PARALLEL CIRCUITS MAY BE A MULTIPLE OF THOSE SHOWN ABOVE.
 4. LEAD COLORS ARE OPTIONAL. LEADS MUST ALWAYS BE NUMBERED AS SHOWN.

REV. DESC: REVISE TO SHOW OPTIONAL COLORS			
REV. LTR: F	BY: JLP	REVISED: 01/21/99 5:04	TDR: 0171435
110000		FILE: DWG\142.wg	MDL: -
		MTL: -	

BALDOR ELECTRIC Co.

3PH, SV, 6 LEADS, 2-SPEED 1-WINDING CONSTANT TORQUE

CD0011