

BALDOR® • RELIANCE 

Product Information Packet

M2523

15HP,1765RPM,3PH,60HZ,284U,3934M,OPSB,F1

Part Detail							
Revision:	E	Status:	INA/A	Change #:		Proprietary:	No
Type:	AC	Elec. Spec:	39WG107	CD Diagram:	CD0180	Mfg Plant:	
Mech. Spec:	39L57	Layout:	39LYL057	Poles:	04	Created Date:	05-10-2010
Base:	RG	Eff. Date:	03-08-2016	Leads:	9#12		

Specs			
Catalog Number:	M2523	Inverter Code:	Not Inverter
Enclosure:	OPSB	KVA Code:	G
Frame:	284U	Lifting Lugs:	Standard Lifting Lugs
Output @ Frequency:	15.000 HP @ 60 HZ	Locked Bearing Indicator:	No Locked Bearing
Synchronous Speed @ Frequency:	1800 RPM @ 60 HZ	Motor Lead Quantity/Wire Size:	9 @ 12 AWG
Voltage @ Frequency:	230.0 V @ 60 HZ	Motor Lead Exit:	Ko Box
	460.0 V @ 60 HZ	Motor Lead Termination:	Flying Leads
XP Division:	Not Applicable	Motor Type:	3934M
Agency Approvals:	CSA	Mounting Arrangement:	F1
	UR	Power Factor:	85
Auxillary Box:	No Auxillary Box	Product Family:	General Purpose
Auxillary Box Lead Termination:	None	Pulley End Bearing Type:	Ball
Base Indicator:	Rigid	Pulley Face Code:	Standard
Bearing Grease Type:	Polyrex EM (-20F +300F)	Pulley Shaft Indicator:	Standard
Blower:	None	Rodent Screen:	None
Current @ Voltage:	18.000 A @ 460.0 V	Shaft Extension Location:	Pulley End
	36.000 A @ 230.0 V	Shaft Ground Indicator:	No Shaft Grounding
Design Code:	B	Shaft Rotation:	Reversible

Drip Cover:	No Drip Cover	Shaft Slinger Indicator:	No Slinger
Duty Rating:	CONT	Speed Code:	Single Speed
Electrically Isolated Bearing:	Not Electrically Isolated	Motor Standards:	NEMA
Feedback Device:	NO FEEDBACK	Starting Method:	Direct on line
Front Face Code:	Standard	Thermal Device - Bearing:	None
Front Shaft Indicator:	None	Thermal Device - Winding:	None
Heater Indicator:	No Heater	Vibration Sensor Indicator:	No Vibration Sensor
Insulation Class:	B	Winding Thermal 1:	None
		Winding Thermal 2:	None

Nameplate NP1256L										
CAT.NO.	M2523									
SPEC.	39L057X107H1									
HP	15									
VOLTS	230/460									
AMP	36/18									
RPM	1765									
FRAME	284U				HZ	60			PH	3
SER.F.	1.15		CODE	G	DES	B		CLASS	B	
NEMA-NOM-EFF	91		PF	85						
RATING	40C AMB-CONT									
CC	010A				USABLE AT 208V					
DE	6311				ODE	6208				
ENCL	OPSB		SN							

AC Induction Motor Performance Data

Record # 55281

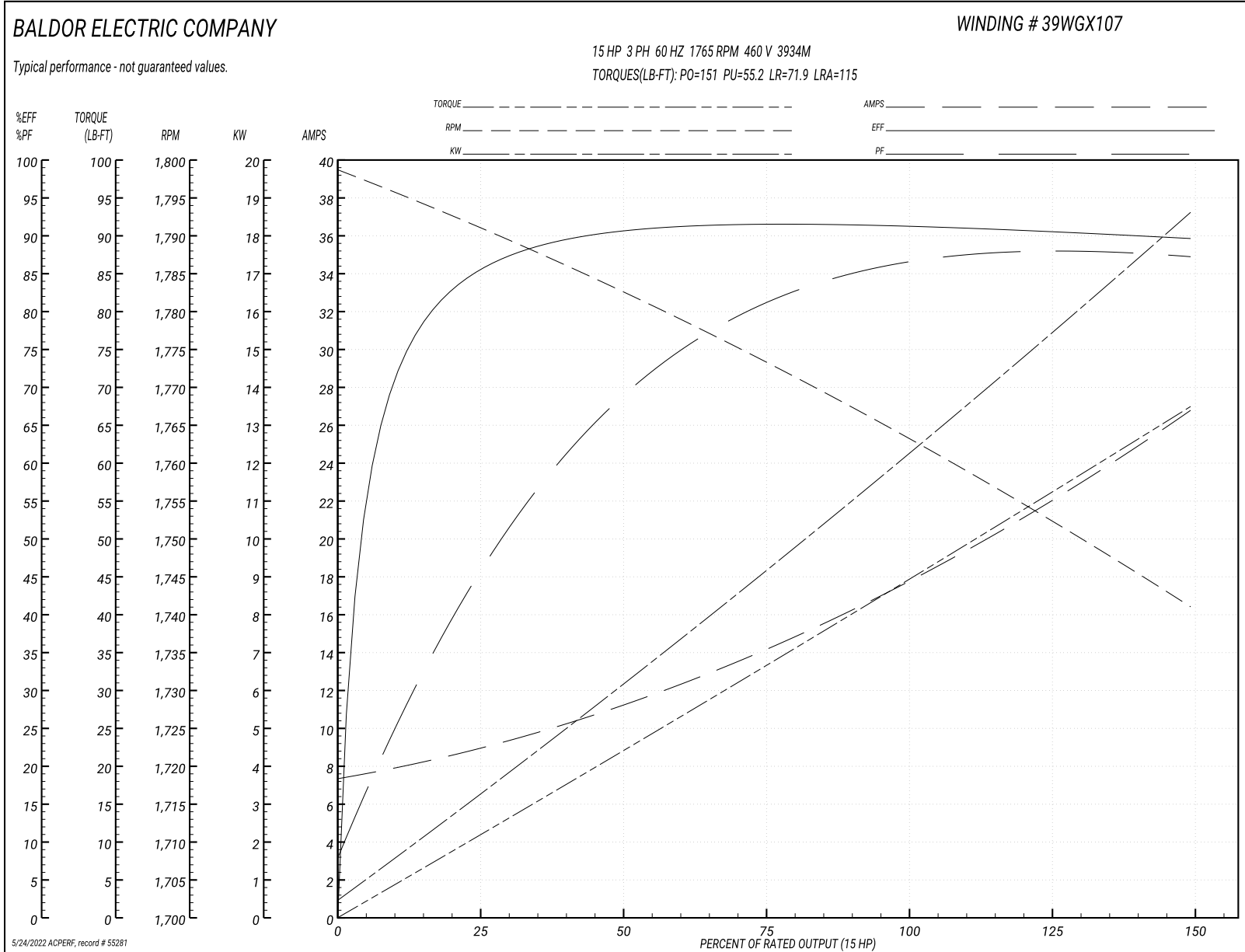
Typical performance - not guaranteed values

Winding: 39WGX107-R001		Type: 3934M		Enclosure: OPEN	
Nameplate Data			460 V, 60 Hz: High Voltage Connection		
Rated Output (HP)	15	Full Load Torque	44.3 LB-FT		
Volts	230/460	Start Configuration	direct on line		
Full Load Amps	36/18	Breakdown Torque	151 LB-FT		
R.P.M.	1765	Pull-up Torque	55.2 LB-FT		
Hz	60 Phase	3	Locked-rotor Torque	71.9 LB-FT	
NEMA Design Code	B KVA Code	G	Starting Current	115 A	
Service Factor (S.F.)	1.15	No-load Current	7.65 A		
NEMA Nom. Eff.	91 Power Factor	85	Line-line Res. @ 25°C	0.72553 Ω	
Rating - Duty	40C AMB-CONT		Temp. Rise @ Rated Load	46°C	
S.F. Amps			Temp. Rise @ S.F. Load	56°C	
			Locked-rotor Power Factor	35.4	

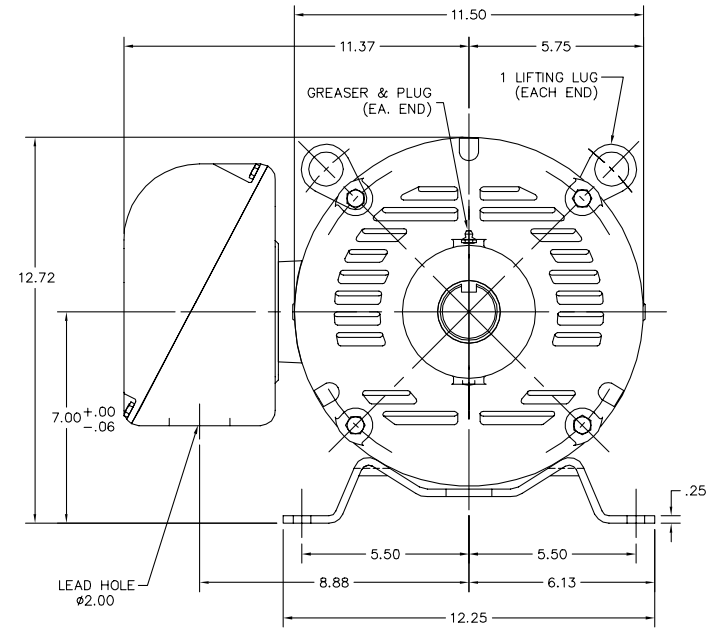
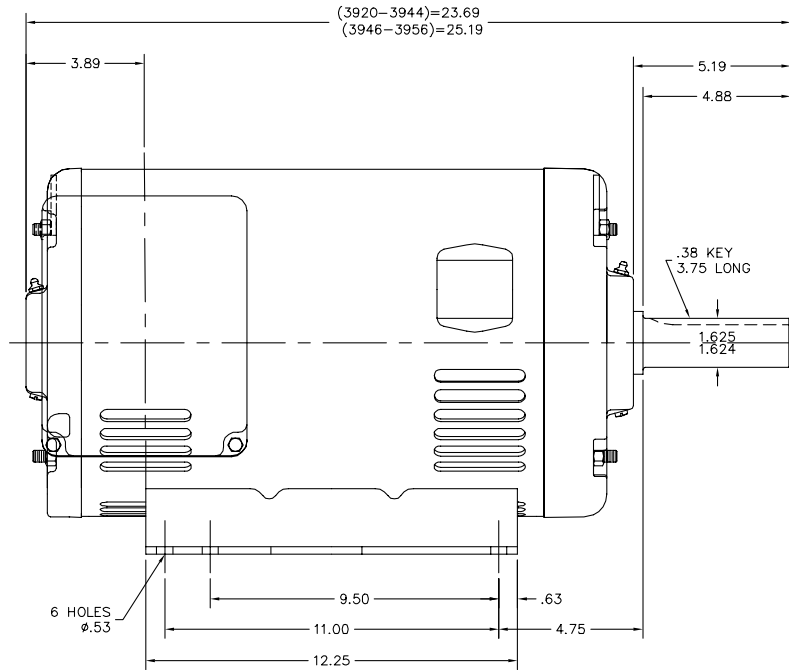
Load Characteristics 460 V, 60 Hz, 15 HP

% of Rated Load	25	50	75	100	125	150	S.F.
Power Factor	47	70	80	85	87	88	86
Efficiency	84.8	90.3	91.4	91.4	90.7	89.6	91
Speed	1791	1783.1	1773.4	1763.7	1752.9	1740.9	1757
Line amperes	8.52	10.9	14.2	17.9	22	26.6	20.4

Performance Graph at 460V, 60Hz, 15.0HP Typical performance - Not guaranteed values



39LYL057



39LYL057

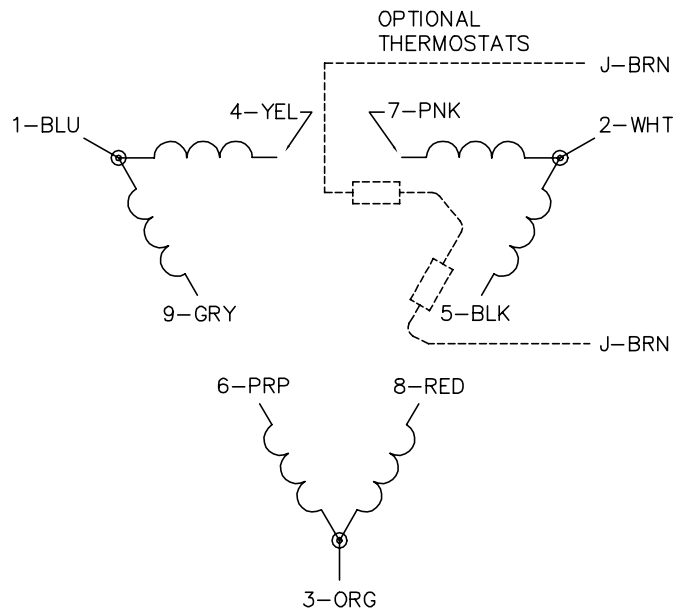
CUSTOMER IS RESPONSIBLE FOR DETERMINING THAT BALDOR'S PRODUCT WILL PERFORM SUITABLY IN THE INTENDED APPLICATION.

REV. DESC: ADDED MISSING DIMENSION		
REV. LTR: D	VERSION: 03	TDR: 000000858528
FILE: \AAA\00012\532	REVISED: 03:01:56 06/17/2014	BY: ENNINDO
MTL: -		

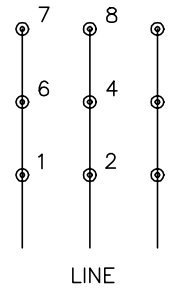
BALDOR

HOR OPSB 284-6U
SH 1 of 1

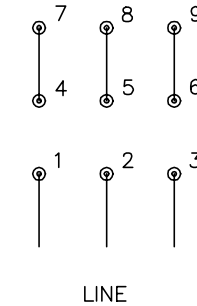
CD0180



LOW VOLTAGE
(2D)



HIGH VOLTAGE
(1D)



NOTES:

1. INTERCHANGE ANY TWO LINE LEADS TO REVERSE ROTATION.
2. OPTIONAL THERMOSTATS ARE PROVIDED WHEN SPECIFIED.
3. ACTUAL NUMBER OF INTERNAL PARALLEL CIRCUITS MAY BE A MULTIPLE OF THOSE SHOWN ABOVE.
4. LEAD COLORS ARE OPTIONAL. LEADS MUST ALWAYS BE NUMBERED AS SHOWN.

CD0180

REV. DESC: ADD CLASS CONN00000007		
REV. LTR: D	VERSION: 01	TDR: 000001099922
FILE: \AAA\00005\148	REVISED: 10:25:29 02/19/2019	BY: ENBRIRO
MTL: -	© □	

BALDOR - RELIANCE®

3PH, DV, 9 LEADS, DELTA CONNECTION

SH 1 of 1