

BALDOR® • RELIANCE 

Product Information Packet

M3314T-8

15HP,3500RPM,3PH,60HZ,215T,3731M,OPSB,F1

Part Detail							
Revision:	E	Status:	INA/A	Change #:		Proprietary:	No
Type:	AC	Elec. Spec:	37WGR359	CD Diagram:	CD0006	Mfg Plant:	
Mech. Spec:	37B101	Layout:	37LYB101	Poles:	02	Created Date:	09-12-2012
Base:	RG	Eff. Date:	03-08-2016	Leads:	3#8		

Specs			
Catalog Number:	M3314T-8	Inverter Code:	Not Inverter
Enclosure:	ODP	KVA Code:	G
Frame:	215T	Lifting Lugs:	Standard Lifting Lugs
Frame Material:	Steel	Locked Bearing Indicator:	No Locked Bearing
Output @ Frequency:	15.000 HP @ 60 HZ	Motor Lead Quantity/Wire Size:	3 @ 8 AWG
Synchronous Speed @ Frequency:	3600 RPM @ 60 HZ	Motor Lead Exit:	Ko Box
Voltage @ Frequency:	200.0 V @ 60 HZ	Motor Lead Termination:	Flying Leads
XP Division:	Not Applicable	Motor Type:	3731M
Agency Approvals:	UR	Mounting Arrangement:	F1
	CSA	Power Factor:	86
Auxillary Box:	No Auxillary Box	Product Family:	General Purpose
Auxillary Box Lead Termination:	None	Pulley End Bearing Type:	Ball
Base Indicator:	RG	Pulley Face Code:	Standard
Bearing Grease Type:	Polyrex EM (-20F +300F)	Pulley Shaft Indicator:	Standard
Blower:	None	Rodent Screen:	None
Current @ Voltage:	39.000 A @ 208.0 V	Shaft Extension Location:	Pulley End
	41.500 A @ 200.0 V	Shaft Ground Indicator:	No Shaft Grounding
Design Code:	B	Shaft Rotation:	Reversible

Drip Cover:	No Drip Cover	Shaft Slinger Indicator:	No Slinger
Duty Rating:	CONT	Speed Code:	Single Speed
Electrically Isolated Bearing:	Not Electrically Isolated	Motor Standards:	NEMA
Feedback Device:	NO FEEDBACK	Starting Method:	Direct on line
Front Face Code:	Standard	Thermal Device - Bearing:	None
Front Shaft Indicator:	None	Thermal Device - Winding:	None
Heater Indicator:	No Heater	Vibration Sensor Indicator:	No Vibration Sensor
Insulation Class:	F	Winding Thermal 1:	None
		Winding Thermal 2:	None

Nameplate NP1256L										
CAT.NO.	M3314T-8									
SPEC.	37B101R359H1									
HP	15									
VOLTS	200									
AMP	41.5									
RPM	3500									
FRAME	215T				HZ	60			PH	3
SER.F.	1.15		CODE	G	DES	B		CLASS	F	
NEMA-NOM-EFF	89.5		PF	86						
RATING	40C AMB-CONT									
CC	010A				USABLE AT 208V			39		
DE	6307				ODE	6206				
ENCL	OPSB		SN							

AC Induction Motor Performance Data

Record # 39680

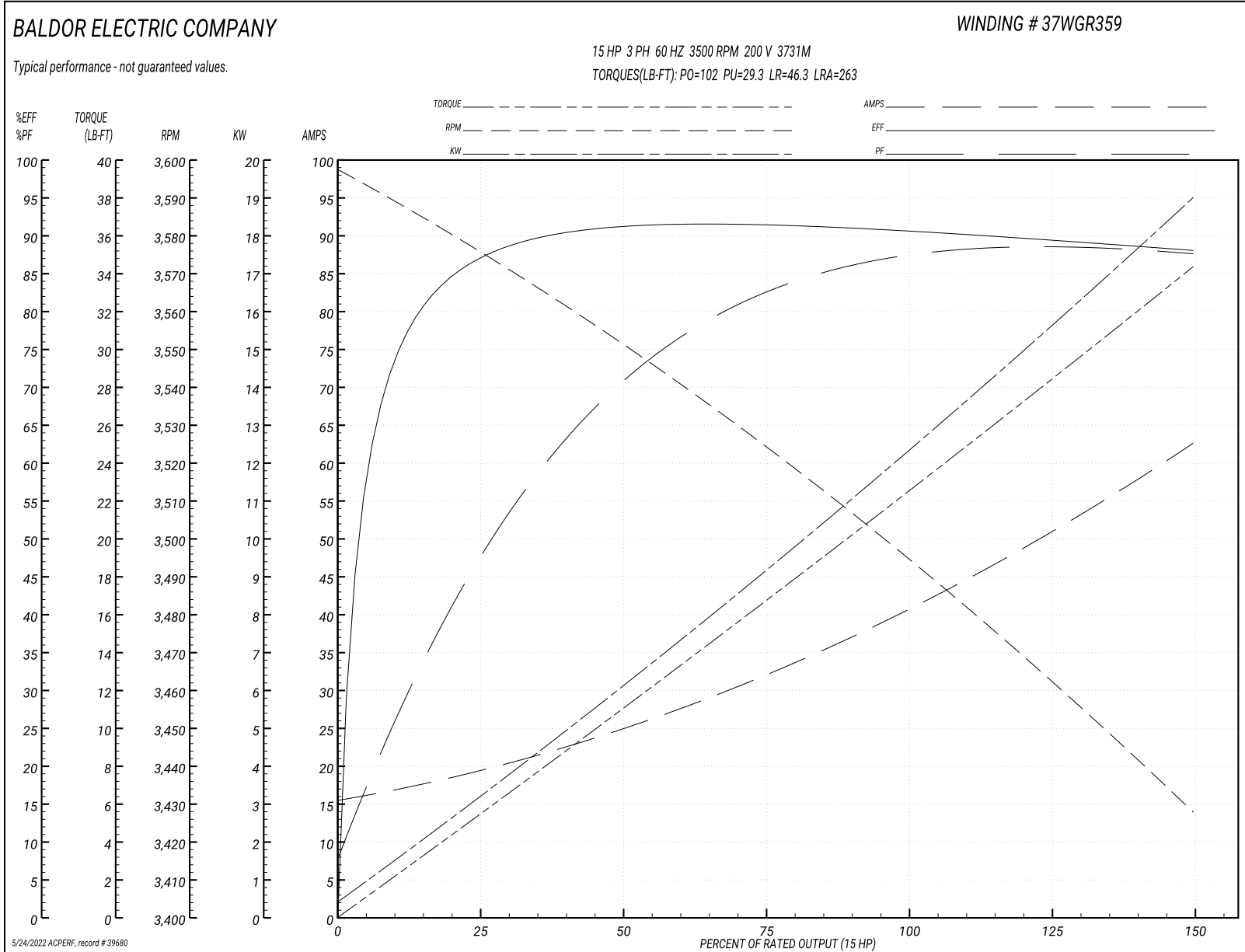
Typical performance - not guaranteed values

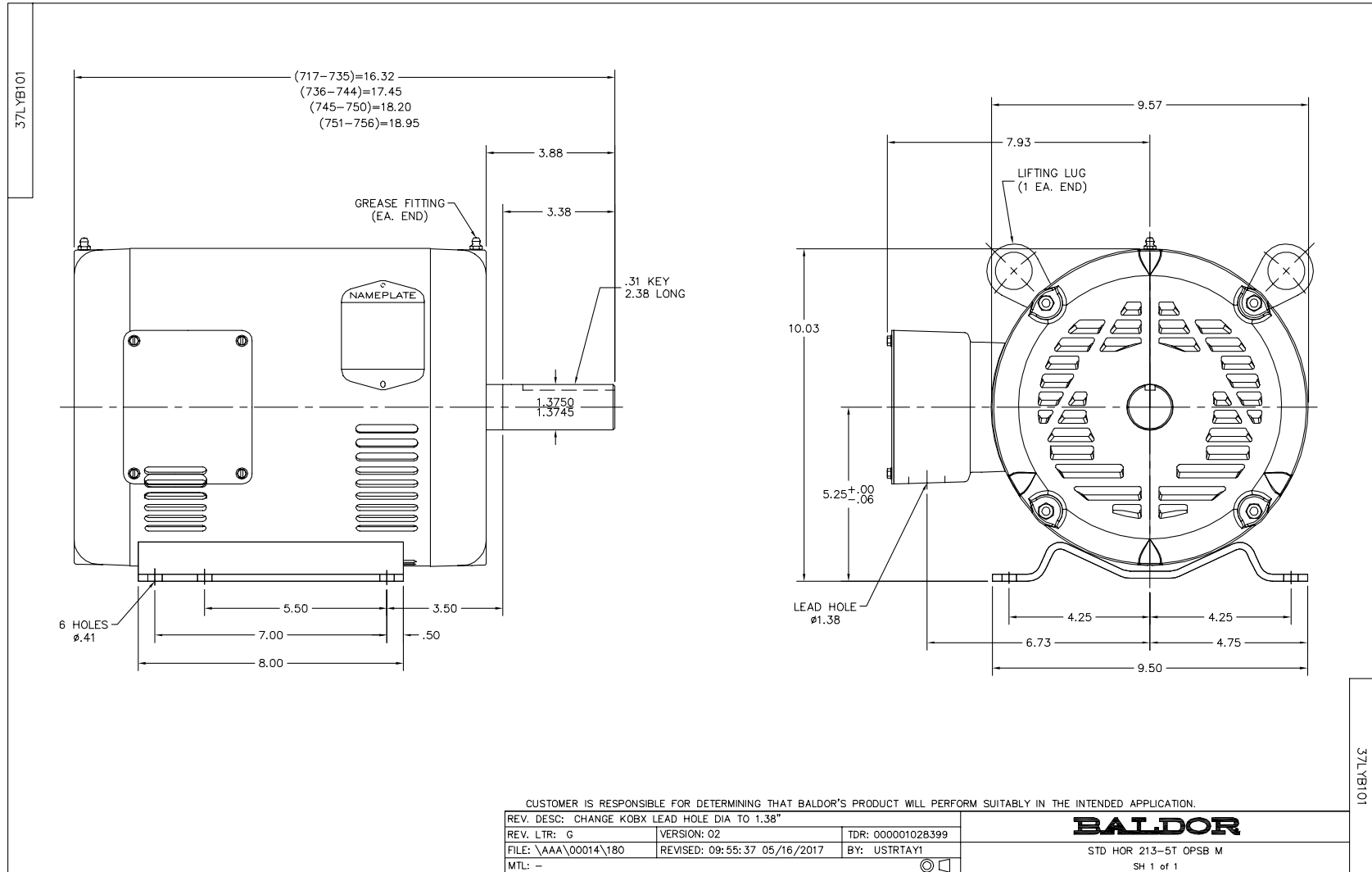
Winding: 37WGR359-R001		Type: 3731M		Enclosure: OPSB	
Nameplate Data			200 V, 60 Hz: Single Voltage Motor		
Rated Output (HP)	15	Full Load Torque	22.5 LB-FT		
Volts	200	Start Configuration	direct on line		
Full Load Amps	41.5	Breakdown Torque	102 LB-FT		
R.P.M.	3500	Pull-up Torque	29.3 LB-FT		
Hz	60 Phase	3	Locked-rotor Torque	46.3 LB-FT	
NEMA Design Code	B KVA Code	G	Starting Current	263 A	
Service Factor (S.F.)	1.15	No-load Current	16.2 A		
NEMA Nom. Eff.	89.5	Power Factor	86	Line-line Res. @ 25°C	0.125 Ω
Rating - Duty	40C AMB-CONT		Temp. Rise @ Rated Load	41°C	
S.F. Amps			Temp. Rise @ S.F. Load	50°C	
			Locked-rotor Power Factor	33	
			Rotor inertia	0.282 LB-FT ²	

Load Characteristics 200 V, 60 Hz, 15 HP

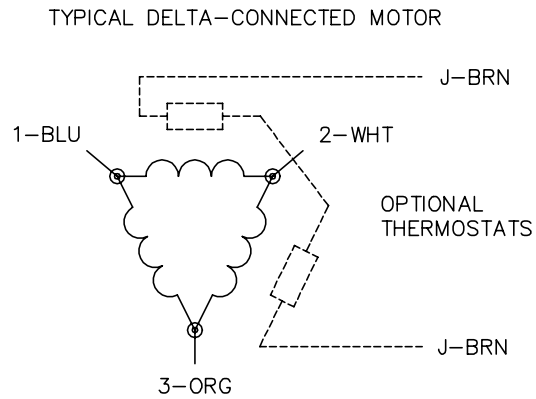
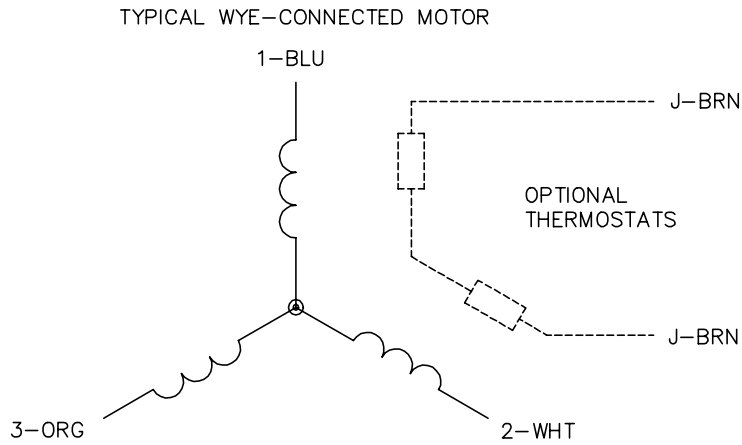
% of Rated Load	25	50	75	100	125	150	S.F.
Power Factor	50	73	82	86	88	88	87
Efficiency	86.5	90.7	91.4	91	89.6	88	90.2
Speed	3574	3551	3525	3496	3463	3427	3476
Line amperes	18.5	24.3	32.4	41.3	51	62.3	47.1

Performance Graph at 200V, 60Hz, 15.0HP Typical performance - Not guaranteed values





CD0006



NOTES:

1. THREE LEAD MOTOR MAY BE EITHER WYE CONNECTED OR DELTA CONNECTED.
2. INTERCHANGE ANY TWO LINE LEADS TO REVERSE ROTATION.
3. OPTIONAL THERMOSTATS ARE PROVIDED WHEN SPECIFIED.
4. ACTUAL NUMBER OF INTERNAL PARALLEL CIRCUITS MAY VARY.
5. LEAD COLORS ARE OPTIONAL. LEADS MUST BE NUMBERED AS SHOWN.

CD0006

REV. DESC: ADD CLASS CONN00000007		
REV. LTR: E	VERSION: 01	TDR: 000001099922
FILE: \AAA\00005\141	REVISED: 10:24:49 02/19/2019	BY: ENBRIRO
MTL: -		

BALDOR - RELIANCE®

3PH, SV, 3 LEADS, WYE OR DELTA CONNECTED

SH 1 of 1