

BALDOR® • RELIANCE 

Product Information Packet

M3546T-8

1HP,1750RPM,3PH,60HZ,143T,3516M,TEFC,F1

Part Detail							
Revision:	L	Status:	INA/A	Change #:		Proprietary:	No
Type:	AC	Elec. Spec:	35WGM635	CD Diagram:	CD0006	Mfg Plant:	
Mech. Spec:	35A001	Layout:	35LYA001	Poles:	04	Created Date:	05-10-2010
Base:	RG	Eff. Date:	03-08-2016	Leads:	3#18		

Specs			
Catalog Number:	M3546T-8	Inverter Code:	Not Inverter
Enclosure:	TEFC	KVA Code:	M
Frame:	143T	Lifting Lugs:	No Lifting Lugs
Frame Material:	Steel	Locked Bearing Indicator:	No Locked Bearing
Motor Letter Type:	Three Phase	Motor Lead Quantity/Wire Size:	3 @ 18 AWG
Output @ Frequency:	1.000 HP @ 60 HZ	Motor Lead Exit:	Ko Box
Synchronous Speed @ Frequency:	1800 RPM @ 60 HZ	Motor Lead Termination:	Flying Leads
Voltage @ Frequency:	200.0 V @ 60 HZ	Motor Type:	3516M
XP Division:	Not Applicable	Mounting Arrangement:	F1
Agency Approvals:	CSA	Power Factor:	73
	UR	Product Family:	General Purpose
Auxillary Box:	No Auxillary Box	Pulley End Bearing Type:	Ball
Auxillary Box Lead Termination:	None	Pulley Face Code:	Standard
Base Indicator:	RG	Pulley Shaft Indicator:	Standard
Bearing Grease Type:	Polyrex EM (-20F +300F)	Rodent Screen:	None
Blower:	None	Shaft Extension Location:	Pulley End
Current @ Voltage:	3.600 A @ 200.0 V	Shaft Ground Indicator:	No Shaft Grounding
Design Code:	B	Shaft Rotation:	Reversible

Drip Cover:	No Drip Cover	Shaft Slinger Indicator:	No Slinger
Duty Rating:	CONT	Speed Code:	Single Speed
Electrically Isolated Bearing:	Not Electrically Isolated	Motor Standards:	NEMA
Feedback Device:	NO FEEDBACK	Starting Method:	Direct on line
Front Face Code:	Standard	Thermal Device - Bearing:	None
Front Shaft Indicator:	None	Thermal Device - Winding:	None
Heater Indicator:	No Heater	Vibration Sensor Indicator:	No Vibration Sensor
Insulation Class:	F	Winding Thermal 1:	None
		Winding Thermal 2:	None

Nameplate NP1256L										
CAT.NO.	M3546T-8									
SPEC.	35A001M635H1									
HP	1									
VOLTS	200									
AMP	3.6									
RPM	1750									
FRAME	143T				HZ	60			PH	3
SER.F.	1.15		CODE	M	DES	B		CLASS	F	
NEMA-NOM-EFF	82.5		PF	73						
RATING	40C AMB-CONT									
CC	010A				USABLE AT 208V			N/A		
DE	6205				ODE	6203				
ENCL	TEFC		SN							

AC Induction Motor Performance Data

Record # 36530

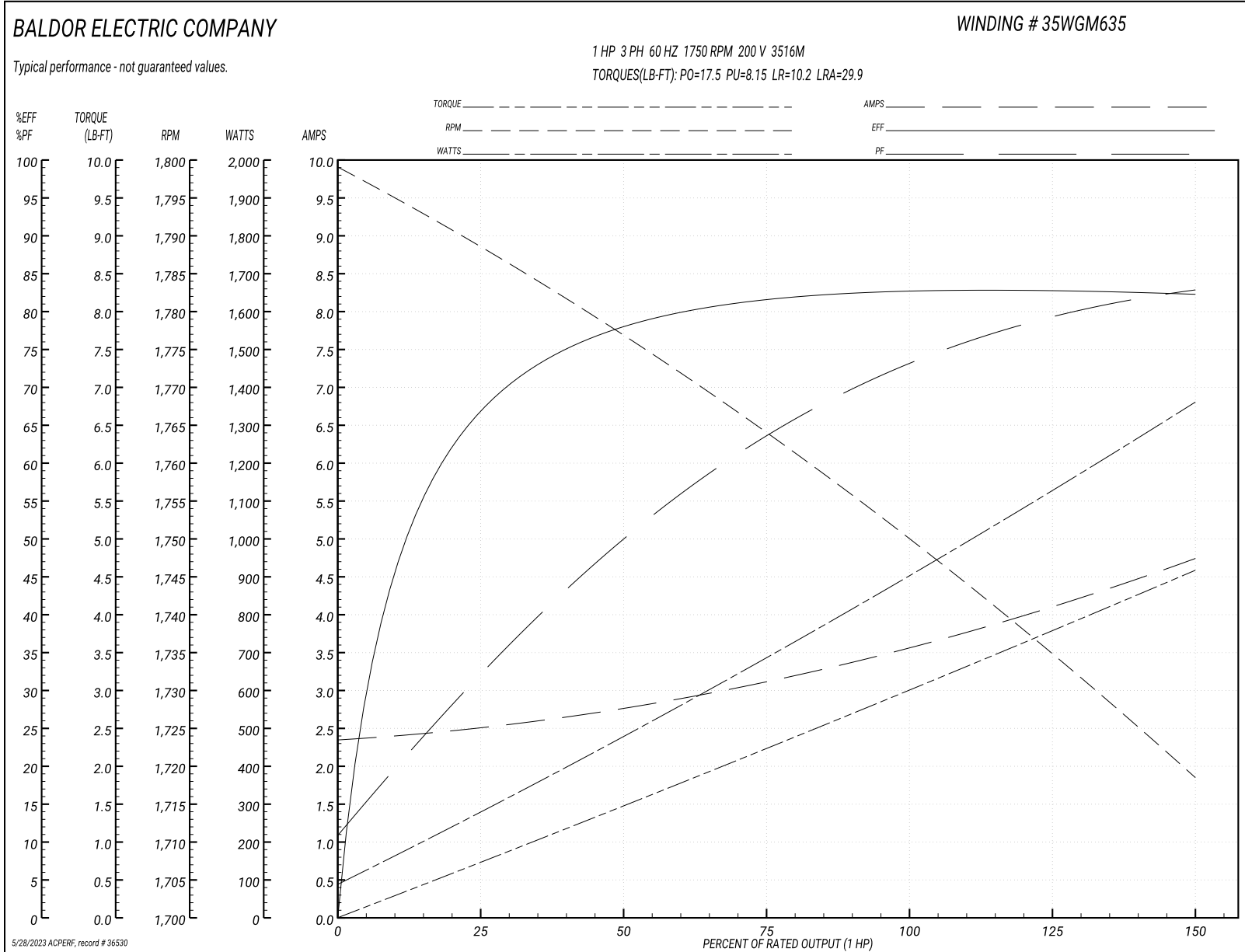
Typical performance - not guaranteed values

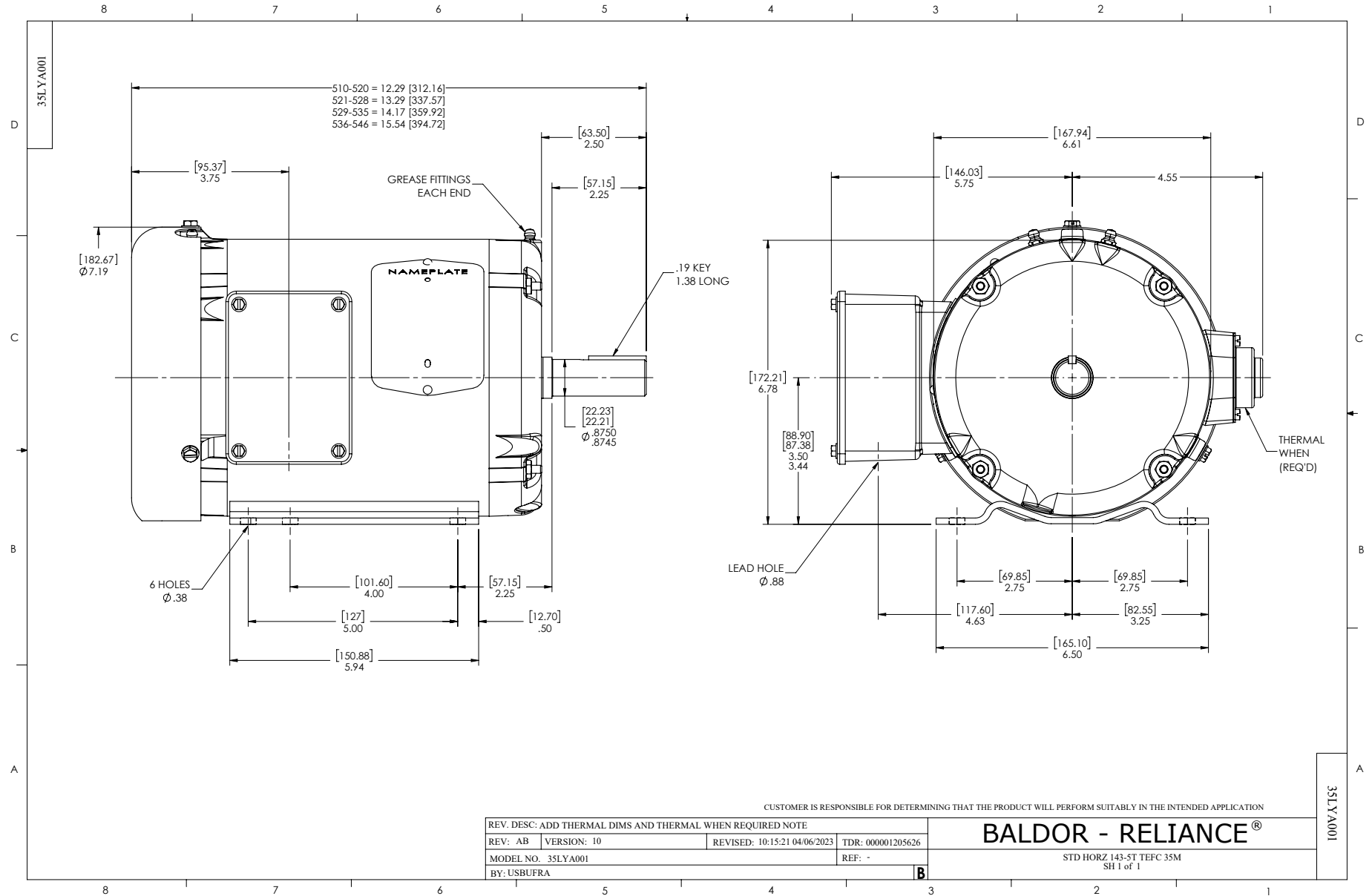
Winding: 35WGM635-R002		Type: 3516M	Enclosure: TEFC
Nameplate Data		200 V, 60 Hz: Single Voltage Motor	
Rated Output (HP)	1	Full Load Torque	2.99 LB-FT
Volts	200	Start Configuration	direct on line
Full Load Amps	3.6	Breakdown Torque	17.5 LB-FT
R.P.M.	1750	Pull-up Torque	8.15 LB-FT
Hz	60 Phase	Locked-rotor Torque	10.2 LB-FT
NEMA Design Code	B KVA Code	Starting Current	29.9 A
Service Factor (S.F.)	1.15	No-load Current	2.35 A
NEMA Nom. Eff.	82.5 Power Factor	Line-line Res. @ 25°C	3.16 Ω
Rating - Duty	40C AMB-CONT	Temp. Rise @ Rated Load	25°C
S.F. Amps		Temp. Rise @ S.F. Load	29°C
		Locked-rotor Power Factor	63
		Rotor inertia	0.0946 LB-FT ²

Load Characteristics 200 V, 60 Hz, 1 HP

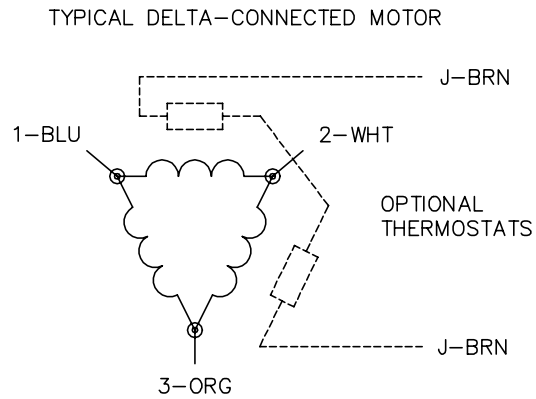
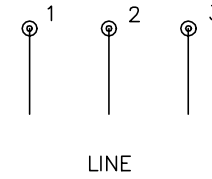
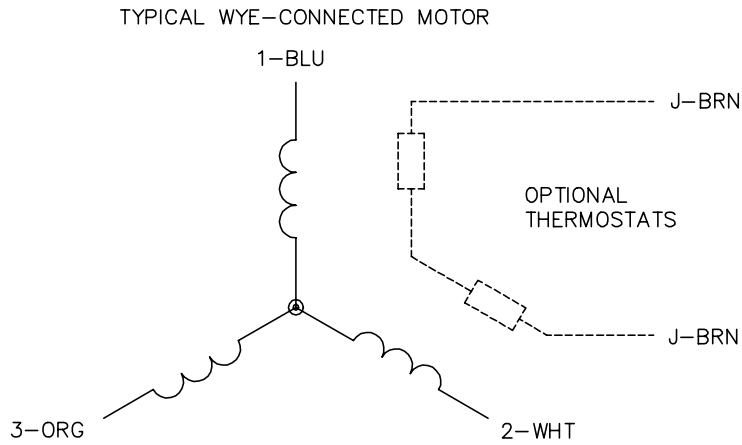
% of Rated Load	25	50	75	100	125	150	S.F.
Power Factor	32	50	64	72	79	83	76
Efficiency	66.2	77.9	81.4	82.7	83	82.2	82.9
Speed	1789	1777	1765	1749	1737	1718	1742
Line amperes	2.51	2.74	3.09	3.58	4.07	4.74	3.87

Performance Graph at 200V, 60Hz, 1.0HP Typical performance - Not guaranteed values





CD0006



NOTES:

1. THREE LEAD MOTOR MAY BE EITHER WYE CONNECTED OR DELTA CONNECTED.
2. INTERCHANGE ANY TWO LINE LEADS TO REVERSE ROTATION.
3. OPTIONAL THERMOSTATS ARE PROVIDED WHEN SPECIFIED.
4. ACTUAL NUMBER OF INTERNAL PARALLEL CIRCUITS MAY VARY.
5. LEAD COLORS ARE OPTIONAL. LEADS MUST BE NUMBERED AS SHOWN.

CD0006

REV. DESC: ADD CLASS CONN00000007		
REV. LTR: E	VERSION: 01	TDR: 000001099922
FILE: \AAA\00005\141	REVISED: 10:24:49 02/19/2019	BY: ENBRIRO
MTL: -		

BALDOR - RELIANCE®

3PH, SV, 3 LEADS, WYE OR DELTA CONNECTED

SH 1 of 1