

BALDOR® • RELIANCE

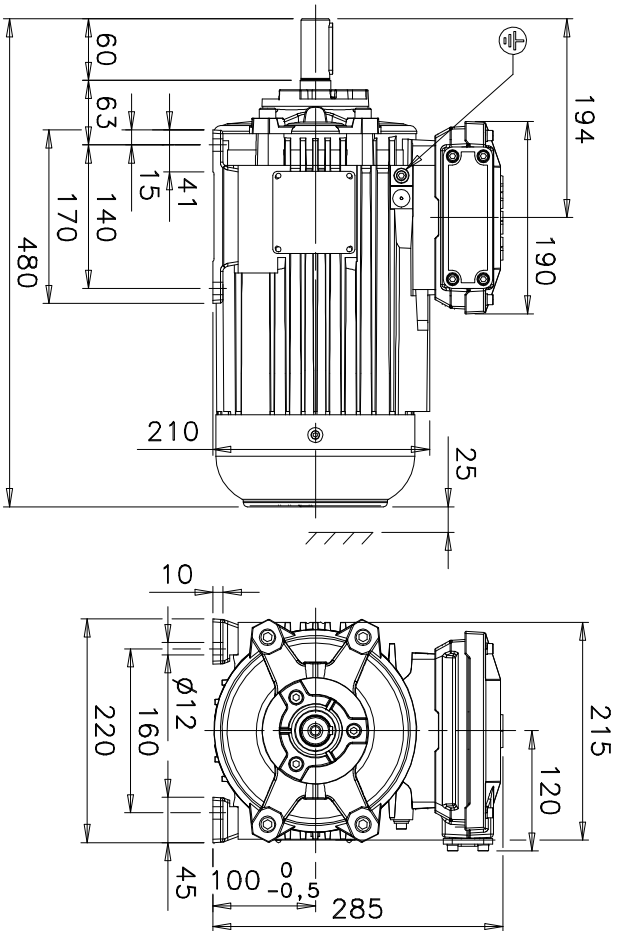
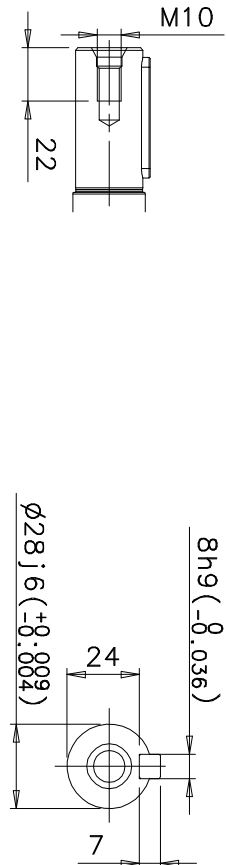
Product Information Packet

MM10224-EX1

M3GP 100 LA 4P B3 2.2KW

Specs			
Catalog Number:	MM10224-EX1		
Enclosure:	TEFC		
Frame:	100		
Frame Material:	Cast Iron		
Output @ Frequency:	2.20 KW @ 50 HZ		
Synchronous Speed @ Frequency:	1500 RPM @ 50 HZ		
Voltage @ Frequency:	415 V @ 50 HZ		
	400 V @ 50 HZ		
	230 V @ 50 HZ		
Auxiliary Box:	Top		


CE:	CE		
Current @ Voltage:	4.30 A @ 415 V		
	4.42 A @ 400 V		
	7.70 A @ 230 V		
Duty Rating:	S1		
Insulation Class:	F		
IP Rating:	IP55		
Power Factor:	.84		
Product Family:	Hazardous Areas		
PTC Thermistor Conn Diagram:	3GZF321200-1D		
Speed Code:	Single Speed		
Motor Standards:	IEC		



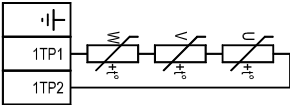
Additional information:

Dimension Print		Motor Type:	M3KP/GP/HP 100L_2-8, B3, B6, B7, B8, V6	Document No:	3GZF500110-62 A 13 KP 100 A
Description:		STANDARD SQUIRREL CAGE MOTOR			
Unit:	ABB Oy, Motors and Generators	Issued by:	R Ketonen	Replaces:	
Date:	10.01.2011	Approved by:	J-P Kuokkala	Replaced by:	
Customer Reference:		ABB Oy			

<h2 style="margin: 0;">Connection Diagram</h2>		Document No: 3GZF321100-1 E							
Description: 3-PHASE SQUIRREL-CAGE MOTOR									
Unit: Motors Date: 21.09.2005	Issued by: M Prusi Approved by: Jari Raittila	Replaces: Replaced by:							
ABB Oy									
<table border="1" style="width: 100%; border-collapse: collapse;"> <tr> <td style="width: 50%; text-align: center;"> ABB Oy, Motors </td> <td style="width: 50%; text-align: center;"> 3GZF321100-1 E </td> </tr> <tr> <td colspan="2" style="text-align: center;"> <table border="0" style="width: 100%;"> <tr> <td style="width: 33%; text-align: center;"> Direction of rotation with reversed phase sequence Drehrichtung nach Schaltbild Direction de rotation avec branchemnt ci-dessus </td> <td style="width: 33%; text-align: center;"> Direction of rotation with phase sequence shown in picture Drehrichtung mit umgekehrter Phasenfolge Direction de rotation avec sequence de phase reversee </td> <td style="width: 33%;"></td> </tr> </table> </td> </tr> </table>			ABB Oy, Motors	3GZF321100-1 E	<table border="0" style="width: 100%;"> <tr> <td style="width: 33%; text-align: center;"> Direction of rotation with reversed phase sequence Drehrichtung nach Schaltbild Direction de rotation avec branchemnt ci-dessus </td> <td style="width: 33%; text-align: center;"> Direction of rotation with phase sequence shown in picture Drehrichtung mit umgekehrter Phasenfolge Direction de rotation avec sequence de phase reversee </td> <td style="width: 33%;"></td> </tr> </table>		 Direction of rotation with reversed phase sequence Drehrichtung nach Schaltbild Direction de rotation avec branchemnt ci-dessus	 Direction of rotation with phase sequence shown in picture Drehrichtung mit umgekehrter Phasenfolge Direction de rotation avec sequence de phase reversee	
ABB Oy, Motors	3GZF321100-1 E								
<table border="0" style="width: 100%;"> <tr> <td style="width: 33%; text-align: center;"> Direction of rotation with reversed phase sequence Drehrichtung nach Schaltbild Direction de rotation avec branchemnt ci-dessus </td> <td style="width: 33%; text-align: center;"> Direction of rotation with phase sequence shown in picture Drehrichtung mit umgekehrter Phasenfolge Direction de rotation avec sequence de phase reversee </td> <td style="width: 33%;"></td> </tr> </table>		 Direction of rotation with reversed phase sequence Drehrichtung nach Schaltbild Direction de rotation avec branchemnt ci-dessus	 Direction of rotation with phase sequence shown in picture Drehrichtung mit umgekehrter Phasenfolge Direction de rotation avec sequence de phase reversee						
 Direction of rotation with reversed phase sequence Drehrichtung nach Schaltbild Direction de rotation avec branchemnt ci-dessus	 Direction of rotation with phase sequence shown in picture Drehrichtung mit umgekehrter Phasenfolge Direction de rotation avec sequence de phase reversee								
<table border="0" style="width: 100%;"> <tr> <td style="width: 33%; vertical-align: top;"> <p style="text-align: center;">Diagram of connection Anschluss-Schema Schema de branchemnt</p> </td> <td style="width: 33%; vertical-align: top;"> <p style="text-align: center;">Connection of terminals Anschluss des Motors Branchement des bornes</p> <p style="text-align: center;">Y-connection Y-Schaltung Connection etoile</p> </td> <td style="width: 33%; vertical-align: top;"> <p style="text-align: center;">D-connection D-Schaltung Connection triangle</p> </td> </tr> </table>			<p style="text-align: center;">Diagram of connection Anschluss-Schema Schema de branchemnt</p>	<p style="text-align: center;">Connection of terminals Anschluss des Motors Branchement des bornes</p> <p style="text-align: center;">Y-connection Y-Schaltung Connection etoile</p>	<p style="text-align: center;">D-connection D-Schaltung Connection triangle</p>				
<p style="text-align: center;">Diagram of connection Anschluss-Schema Schema de branchemnt</p>	<p style="text-align: center;">Connection of terminals Anschluss des Motors Branchement des bornes</p> <p style="text-align: center;">Y-connection Y-Schaltung Connection etoile</p>	<p style="text-align: center;">D-connection D-Schaltung Connection triangle</p>							

Accessory Connection Diagram		Document No: 3GZF321200-1 D
Description: PTC-THERMISTORS		
Unit: Motors	Issued by: K. Höglkvist	Replaces:
Date: 30.11.2005	Approved by: M. Prusi	Replaced by:
ABB Oy	Customer Reference:	

Motor No
Maschine Nr
Moteur No
ABB Oy, Motors **3GZF321200-1 D**



PTC-THERMISTORS
PTC-TEMPERATURFÜHLER
SONDES THERMIQUE PTC

Note: Measuring voltage } max. 2,5 V/
Achtung: Meßspannung } 1 thermistor
Notez: Tension de meas.