

BALDOR® • RELIANCE 

Product Information Packet

PL3514M

1.5HP, 1725RPM, 1PH, 60HZ, 56, 3535LC, TEFC, F1

Part Detail							
Revision:	AK	Status:	NLA/A	Change #:		Proprietary:	No
Type:	AC	Elec. Spec:	35WGY860	CD Diagram:	CD0016A02	Mfg Plant:	
Mech. Spec:	35H229	Layout:	35LYH229	Poles:	04	Created Date:	
Base:	RG	Eff. Date:	04-08-2016	Leads:	7#18,1#14 #4TH		

Specs			
Catalog Number:	PL3514M	Insulation Class:	B
Enclosure:	TEFC	Inverter Code:	Not Inverter
Frame:	56	KVA Code:	J
Frame Material:	Steel	Lifting Lugs:	No Lifting Lugs
Motor Letter Type:	Cap Start, Cap Run	Locked Bearing Indicator:	No Locked Bearing
Output @ Frequency:	1.500 HP @ 60 HZ	Motor Lead Quantity/Wire Size:	7 @ 18 AWG
Synchronous Speed @ Frequency:	1800 RPM @ 60 HZ	Motor Lead Exit:	Ko Box
Voltage @ Frequency:	115.0 V @ 60 HZ	Motor Lead Termination:	Flying Leads
	230.0 V @ 60 HZ	Motor Type:	3535LC
XP Class and Group:	None	Mounting Arrangement:	F1
XP Division:	Not Applicable	Power Factor:	98
Agency Approvals:	UR	Product Family:	General Purpose
	CSA	Pulley End Bearing Type:	Ball
Auxillary Box:	No Auxillary Box	Pulley Face Code:	Standard
Auxillary Box Lead Termination:	None	Pulley Shaft Indicator:	Standard
Base Indicator:	Rigid	Rodent Screen:	None
Bearing Grease Type:	Polyrex EM (-20F +300F)	Shaft Extension Location:	Pulley End
Blower:	None	Shaft Ground Indicator:	No Shaft Grounding

Current @ Voltage:	14.000 A @ 115.0 V	Shaft Rotation:	Reversible
	6.000 A @ 230.0 V	Shaft Slinger Indicator:	No Slinger
Design Code:	L	Speed Code:	Single Speed
Drip Cover:	No Drip Cover	Motor Standards:	NEMA
Duty Rating:	CONT	Starting Method:	Direct on line
Electrically Isolated Bearing:	Not Electrically Isolated	Thermal Device - Bearing:	None
Feedback Device:	NO FEEDBACK	Thermal Device - Winding:	Do Not Use
Front Face Code:	Standard	Vibration Sensor Indicator:	No Vibration Sensor
Front Shaft Indicator:	None	Winding Thermal 1:	Manual Thermal Overload
Heater Indicator:	No Heater	Winding Thermal 1 Location:	KO
		Winding Thermal 2:	None

Nameplate NP1257L	
CAT.NO.	
SPEC.	35H229Y860
HP	1.5
VOLTS	115/230
AMP	14/6
RPM	1725
FRAME	56
HZ	60
PH	1
SER.F.	1.15
CODE	J
DES	L
CL	B
NEMA-NOM-EFF	82.5
PF	98
RATING	40C AMB-CONT
CC	
DE	6205
ODE	6203
ENCL	TEFC
SN	

AC Induction Motor Performance Data

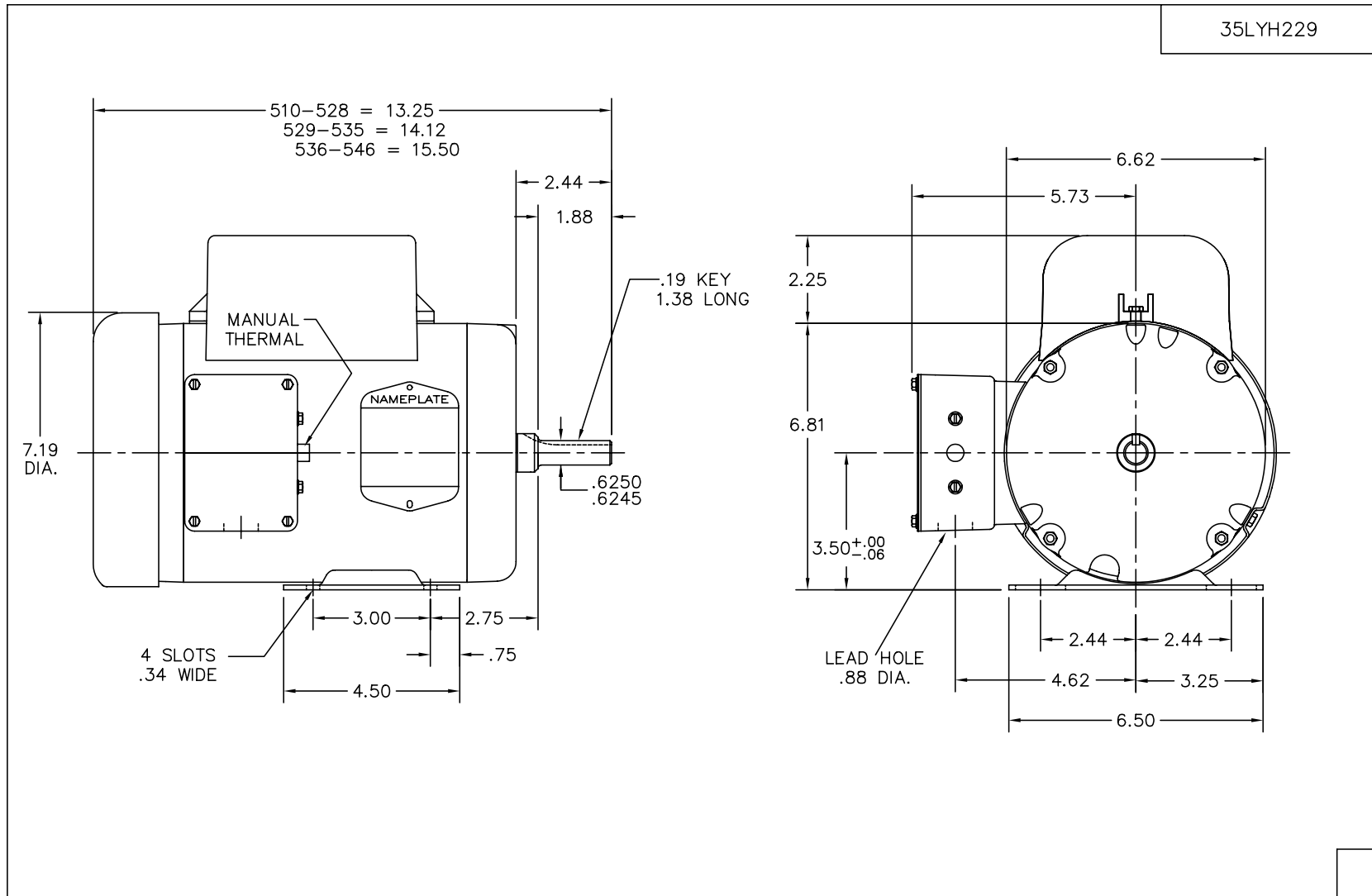
Record # 10348

Typical performance - not guaranteed values

Winding: 35WGY860-R001		Type: 3535LC		Enclosure: TEFC	
Nameplate Data			230 V, 60 Hz: High Voltage Connection		
Rated Output (HP)	1.5	Full Load Torque	4.5 LB-FT		
Volts	115/230	Start Configuration	direct on line		
Full Load Amps	14/6	Breakdown Torque	12.5 LB-FT		
R.P.M.	1725	Pull-up Torque	5 LB-FT		
Hz	60 Phase	1	Locked-rotor Torque	10 LB-FT	
NEMA Design Code	L	KVA Code	J	Starting Current	50 A
Service Factor (S.F.)	1.15	No-load Current	1.3 A		
NEMA Nom. Eff.	82.5	Power Factor	98	Line-line Res. @ 25°C	1.7 Ω A Ph 2.03 Ω B Ph
Rating - Duty	40C	AMB-CONT	Temp. Rise @ Rated Load	60°C	
S.F. Amps			Temp. Rise @ S.F. Load	66°C	

Load Characteristics 230 V, 60 Hz, 1.5 HP

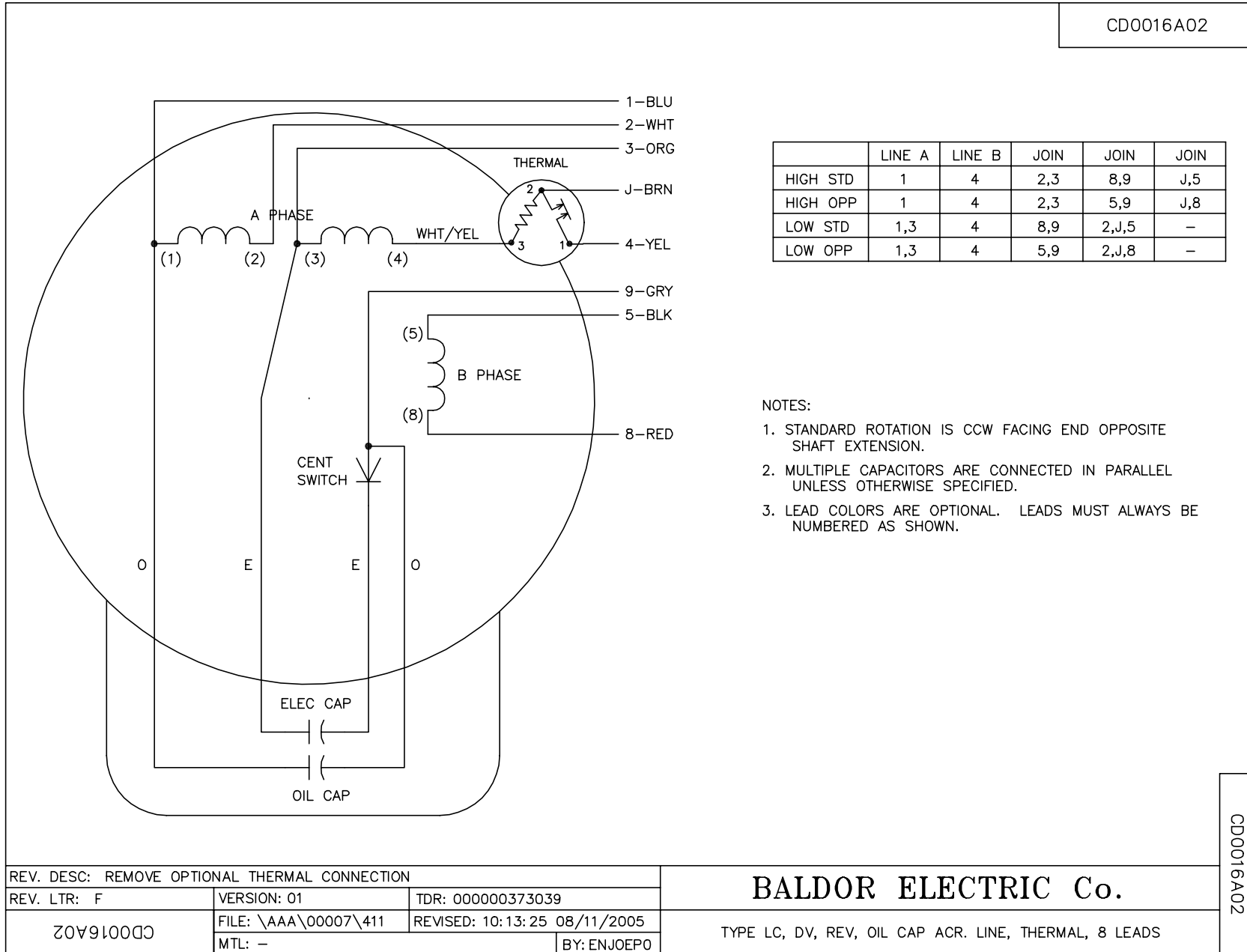
% of Rated Load	25	50	75	100	125	150	S.F.
Power Factor	97	99	99	97	94	92	95
Efficiency	54	70	77	80	81	80	80.6
Speed	1787	1776	1765	1752	1738	1721	1744
Line amperes	2.3	3.3	4.8	6.3	7.9	9.8	7.26



CUST. NAME		CUST. P.O.		CERTIFIED BY		MODEL		INSUL		AMB	
H.P.		MTG		TYPE		R.P.M.		VOLTS		ENCL	
REV. LTR: F		BY: JED		REVISED: 04/06/99 7:33		TDR: 0171801		BALDOR ELECTRIC Co.		STD HORZ 56 TEFC 35LC W/1" MTO	
6Z2HY19Z		FILE: AAA00007692		MDL: -							
MTL: -											

35LYH229

CD0016A02



REV. DESC: REMOVE OPTIONAL THERMAL CONNECTION		
REV. LTR: F	VERSION: 01	TDR: 000000373039
Z0V910003	FILE: \AAA\00007\411	REVISED: 10:13:25 08/11/2005
CD0016A02	MTL: -	BY: ENJOEPO

BALDOR ELECTRIC Co.

TYPE LC, DV, REV, OIL CAP ACR. LINE, THERMAL, 8 LEADS

CD0016A02