

**BALDOR® • RELIANCE** 

**Product Information Packet**

**UCC10150**

**10-15HP,3450RPM,1PH,60HZ,215Z,3740C,OPEN**

Part Detail							
Revision:	AQ	Status:	PRD/A	Change #:		Proprietary:	No
Type:	AC	Elec. Spec:	37WG977	CD Diagram:	CD0127	Mfg Plant:	
Mech. Spec:	37E764	Layout:	37LYE764	Poles:	02	Created Date:	
Base:	RG	Eff. Date:	01-23-2020	Leads:	2#8 A PH,2#14 B PH 32" LG		Y

Specs			
Catalog Number:	UCC10150	Inverter Code:	Not Inverter
Enclosure:	OPEN	KVA Code:	C
Frame:	215Z	Lifting Lugs:	Standard Lifting Lugs
Frame Material:	Steel	Locked Bearing Indicator:	Locked Bearing
Output @ Frequency:	15.000 HP @ 60 HZ	Motor Lead Quantity/Wire Size:	2 @ 8 AWG, A PH
	10.000 HP @ 60 HZ	Motor Lead Exit:	Pipe Or Pipe Adaptor
Synchronous Speed @ Frequency:	3600 RPM @ 60 HZ	Motor Lead Termination:	Flying Leads
Voltage @ Frequency:	230.0 V @ 60 HZ	Motor Type:	3740C
XP Class and Group:	None	Mounting Arrangement:	F1
XP Division:	Not Applicable	Power Factor:	98
Agency Approvals:	UR	Product Family:	General Purpose
	CSA	Product Type:	FARM DUTY
Auxillary Box:	No Auxillary Box	Pulley End Bearing Type:	Sealed Bearing
Auxillary Box Lead Termination:	None	Pulley Face Code:	Standard
Base Indicator:	Rigid	Pulley Shaft Indicator:	Tapped & Key
Bearing Grease Type:	Polyrex EM (-20F +300F)	Rodent Screen:	Included
Blower:	None	Shaft Extension Location:	Pulley End
Current @ Voltage:	41.000 A @ 230.0 V	Shaft Ground Indicator:	No Shaft Grounding

<b>Design Code:</b>	-	<b>Shaft Rotation:</b>	Reversible
<b>Drip Cover:</b>	No Drip Cover	<b>Shaft Slinger Indicator:</b>	No Slinger
<b>Duty Rating:</b>	CONT	<b>Speed Code:</b>	Single Speed
<b>Electrically Isolated Bearing:</b>	Not Electrically Isolated	<b>Motor Standards:</b>	NEMA
<b>Feedback Device:</b>	NO FEEDBACK	<b>Starting Method:</b>	Direct on line
<b>Front Face Code:</b>	Standard	<b>Thermal Device - Bearing:</b>	None
<b>Front Shaft Indicator:</b>	None	<b>Thermal Device - Winding:</b>	Normally Closed Thermostat
<b>Heater Indicator:</b>	No Heater	<b>Vibration Sensor Indicator:</b>	No Vibration Sensor
<b>Insulation Class:</b>	F	<b>Winding Thermal 1:</b>	None
		<b>Winding Thermal 2:</b>	None

<b>Nameplate NP1279L</b>											
<b>CAT.NO.</b>	UCC10150										
<b>SPEC.</b>	37E764W977										
<b>HP</b>	10-15 AIR OVER										
<b>VOLTS</b>	230										
<b>AMP</b>	41-57										
<b>RPM</b>	3450										
<b>FRAME</b>	215Z				<b>HZ</b>	60		<b>PH</b>	1		
<b>SER.F.</b>	1.00			<b>CODE</b>	C		<b>DES</b>	-		<b>CL</b>	F
<b>NEMA-NOM-EFF</b>	83			<b>PF</b>	98						
<b>RATING</b>	40C AMB-CONT										
<b>CC</b>								<b>USABLE AT 208V</b>			
<b>DE</b>	6307				<b>ODE</b>	6206					
<b>ENCL</b>	OPEN			<b>SN</b>							

<b>Nameplate NP1263L</b>	
<b>CAT.NO.</b>	UCC10150
<b>SPEC.</b>	37E764W977
<b>HP</b>	10-15 AIR OVER
<b>VOLTS</b>	230
<b>AMP</b>	41-57
<b>RPM</b>	3450
<b>FRAME</b>	215Z
<b>HZ</b>	60
<b>PH</b>	1
<b>SER.F.</b>	1.00
<b>CODE</b>	C
<b>DES</b>	-
<b>CL</b>	F
<b>NEMA-NOM-EFF</b>	83
<b>PF</b>	98
<b>RATING</b>	40C AMB-CONT
<b>CC</b>	USABLE AT 208V
<b>DE</b>	6307
<b>ODE</b>	6206
<b>ENCL</b>	OPEN
<b>SN</b>	

**AC Induction Motor Performance Data**

Record # 11959

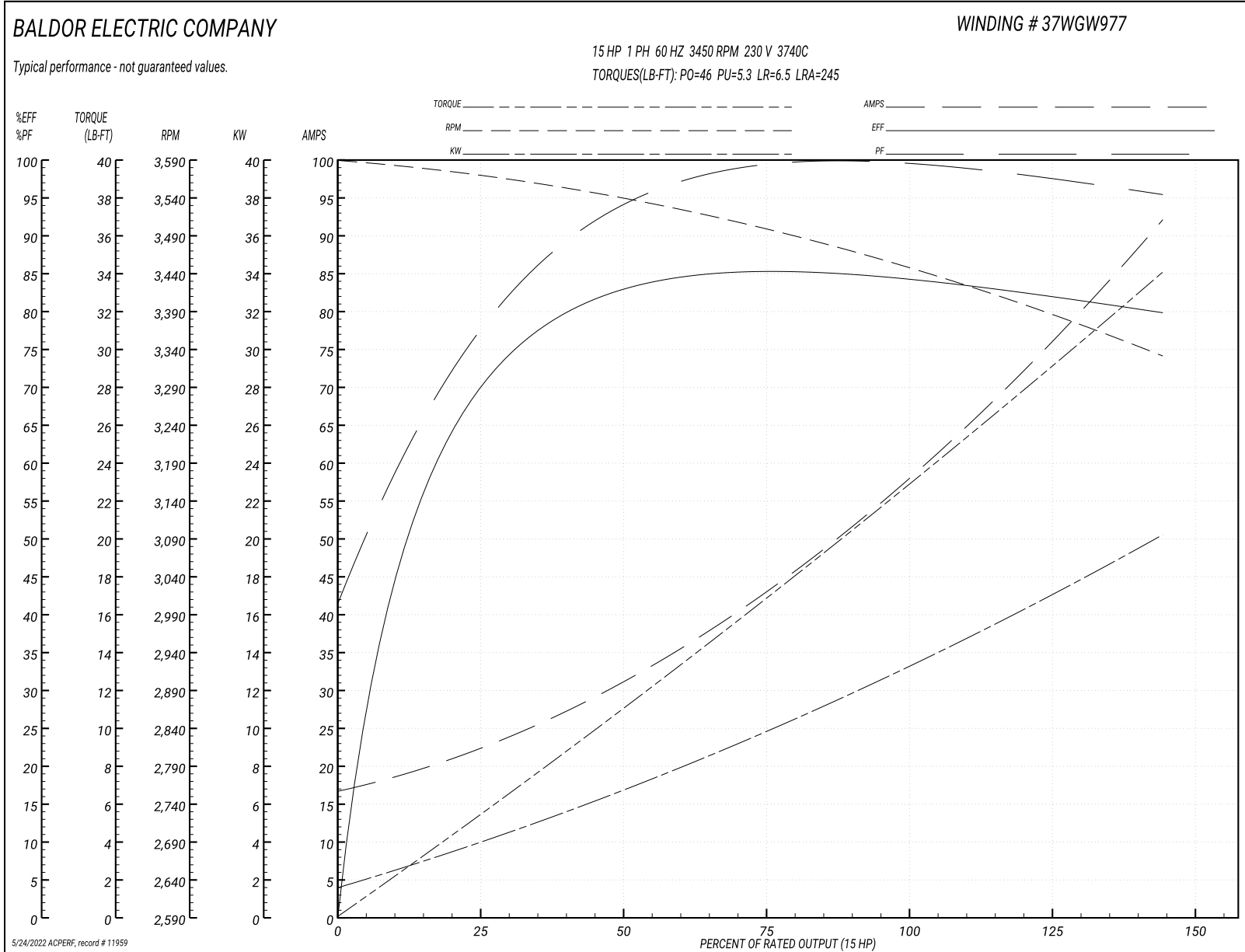
Typical performance - not guaranteed values

Winding: 37GW977-R001			Type: 3740C			Enclosure: OPAO			
<b>Nameplate Data</b>						<b>230 V, 60 Hz: Single Voltage Motor</b>			
<b>Rated Output (HP)</b>			10-15 AIR OVER			<b>Full Load Torque</b>			22.8 LB-FT
<b>Volts</b>			230			<b>Start Configuration</b>			direct on line
<b>Full Load Amps</b>			41-57			<b>Breakdown Torque</b>			46 LB-FT
<b>R.P.M.</b>			3450			<b>Pull-up Torque</b>			5.3 LB-FT
<b>Hz</b>			60 Phase 1			<b>Locked-rotor Torque</b>			6.5 LB-FT
<b>NEMA Design Code</b>			- KVA Code C			<b>Starting Current</b>			245 A
<b>Service Factor (S.F.)</b>			1			<b>No-load Current</b>			16.3 A
<b>NEMA Nom. Eff.</b>			83 Power Factor 98			<b>Line-line Res. @ 25°C</b>			0.196 Ω A Ph 0.344 Ω B Ph
<b>Rating - Duty</b>			40C AMB-CONT			<b>Temp. Rise @ Rated Load</b>			

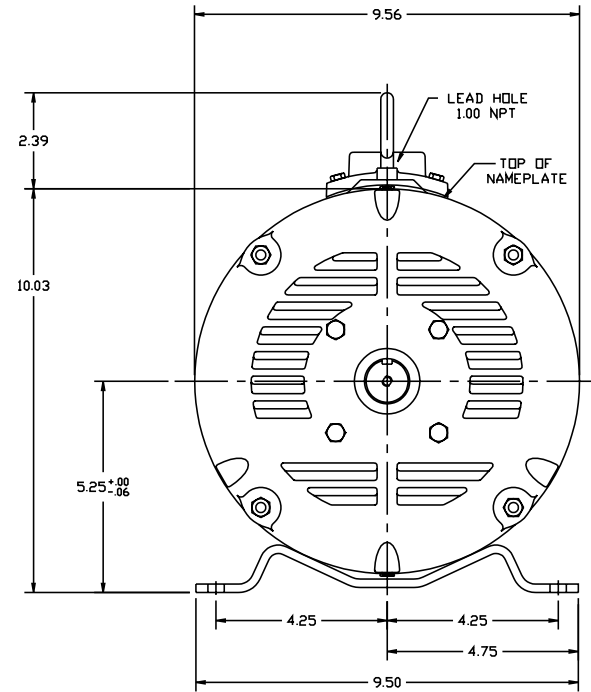
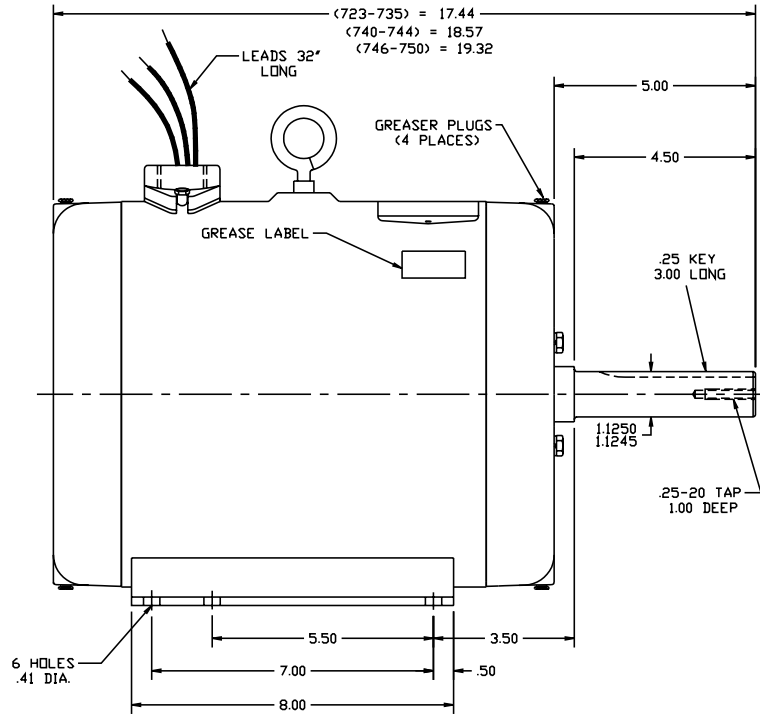
**Load Characteristics 230 V, 60 Hz, 15 HP**

% of Rated Load	25	50	75	100	125	150
<b>Power Factor</b>	78	92	98	99	99	99
<b>Efficiency</b>	68.7	81.5	85.1	85.2	83.2	79.1
<b>Speed</b>	3565	3533	3496	3453	3400	3324
<b>Line amperes</b>	22.7	32.4	43.9	57.4	73.1	93.2

Performance Graph at 230V, 60Hz, 15.0HP Typical performance - Not guaranteed values



37E764



UNIVERSAL CROP DRYER MOTOR

**BALDOR ELECTRIC Co.**

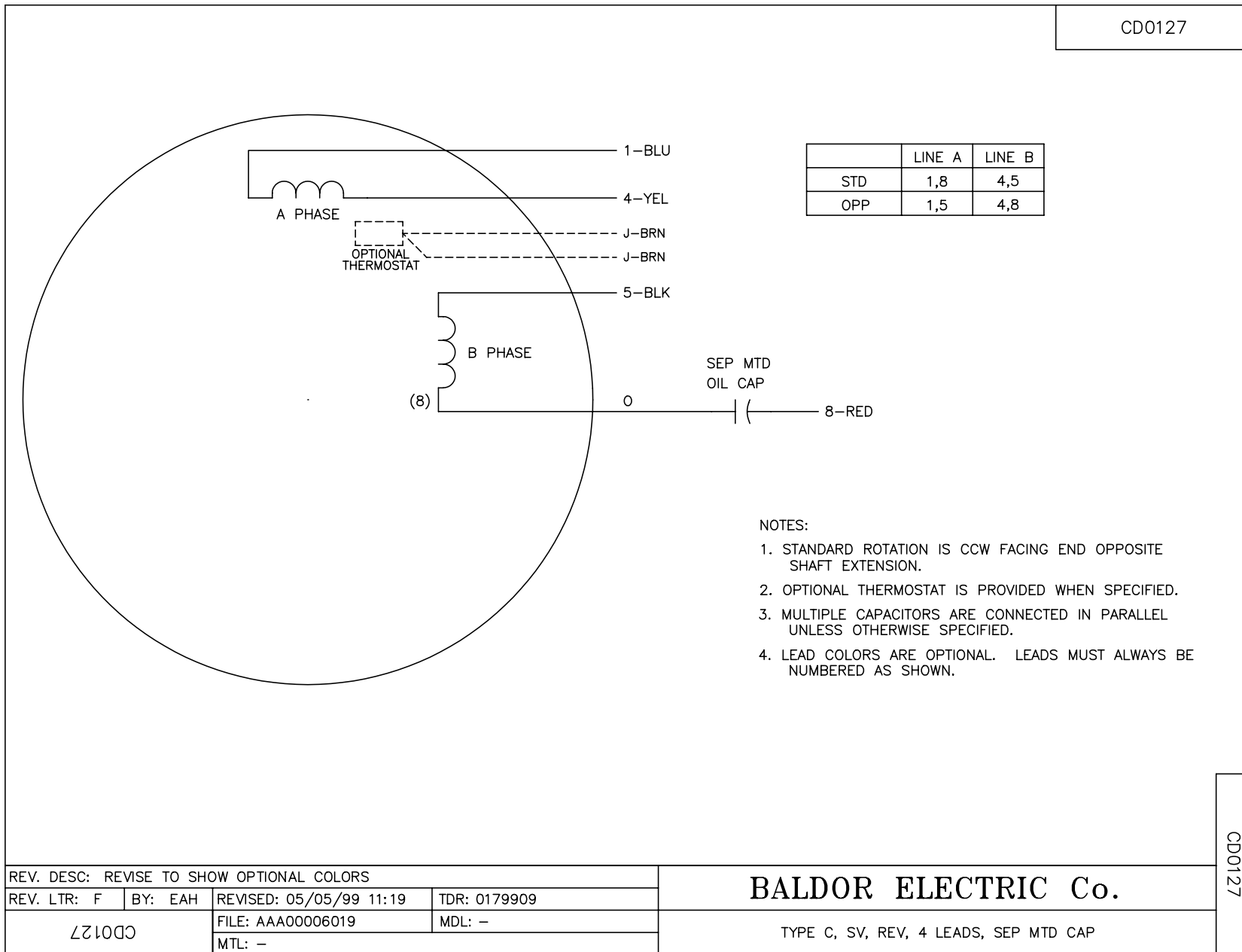
CUST. NAME	CUST. P.O.				REMARKS:	
MODEL	INSUL	AMB	H.P.	MTG	REV: K   37SB0442 WAS 37SB0251, HA6011A01 WAS HA6021A01.	
R.P.M.	VOLTS	ENCL	PHASE	FREQ	SCALE: .4	BY: BLP
FRAME	TYPE	CERTIFIED BY		FILE: AAA00010074	REVISED: 10/10/94	TDR: 0063266

SPL HORZ OPEN 37C 213-5Z W/PIPE ADAPTER & T'STATS

37E764



CD0127



NOTES:

1. STANDARD ROTATION IS CCW FACING END OPPOSITE SHAFT EXTENSION.
2. OPTIONAL THERMOSTAT IS PROVIDED WHEN SPECIFIED.
3. MULTIPLE CAPACITORS ARE CONNECTED IN PARALLEL UNLESS OTHERWISE SPECIFIED.
4. LEAD COLORS ARE OPTIONAL. LEADS MUST ALWAYS BE NUMBERED AS SHOWN.

REV. DESC: REVISE TO SHOW OPTIONAL COLORS			
REV. LTR: F	BY: EAH	REVISED: 05/05/99 11:19	TDR: 0179909
CD0127		FILE: AAA00006019	MDL: -
		MTL: -	

**BALDOR ELECTRIC Co.**

TYPE C, SV, REV, 4 LEADS, SEP MTD CAP

CD0127