

BALDOR® • RELIANCE 

Product Information Packet

VEM3610T

3HP,3450RPM,3PH,60HZ,3532M,N

Part Detail							
Revision:	S	Status:	PRD/A	Change #:		Proprietary:	No
Type:	AC	Elec. Spec:	35WGQ060	CD Diagram:	CD0005	Mfg Plant:	
Mech. Spec:	35L114	Layout:	35LYL114	Poles:	02	Created Date:	10-23-2012
Base:	N	Eff. Date:	08-24-2022	Leads:	9#18		

Specs			
Catalog Number:	VEM3610T	Heater Indicator:	No Heater
Enclosure:	TEFC	Insulation Class:	F
Frame:	182TC	Inverter Code:	Inverter Ready
Frame Material:	Steel	KVA Code:	L
Motor Letter Type:	Three Phase	Lifting Lugs:	No Lifting Lugs
Output @ Frequency:	3.000 HP @ 60 HZ	Locked Bearing Indicator:	Locked Bearing
Synchronous Speed @ Frequency:	3600 RPM @ 60 HZ	Motor Lead Quantity/Wire Size:	9 @ 18 AWG
Voltage @ Frequency:	460.0 V @ 60 HZ	Motor Lead Exit:	Ko Box
	230.0 V @ 60 HZ	Motor Lead Termination:	Flying Leads
XP Class and Group:	None	Motor Type:	3532M
XP Division:	Not Applicable	Mounting Arrangement:	F1
Agency Approvals:	NEMA_PREMIUM	Power Factor:	92
	UR	Product Family:	General Purpose
	NEMA PREMIUM	Pulley End Bearing Type:	Ball
	CSA EEV	Pulley Face Code:	C-Face
Auxillary Box:	No Auxillary Box	Pulley Shaft Indicator:	Standard
Auxillary Box Lead Termination:	None	Rodent Screen:	None
Base Indicator:	No Mounting	RoHS Status:	ROHS COMPLIANT

Bearing Grease Type:	Polyrex EM (-20F +300F)	Shaft Extension Location:	Pulley End
Blower:	None	Shaft Ground Indicator:	No Shaft Grounding
Current @ Voltage:	7.200 A @ 230.0 V	Shaft Rotation:	Reversible
	7.900 A @ 208.0 V	Shaft Slinger Indicator:	No Slinger
	3.600 A @ 460.0 V	Speed Code:	Single Speed
Design Code:	B	Motor Standards:	NEMA
Drip Cover:	No Drip Cover	Starting Method:	Direct on line
Duty Rating:	CONT	Thermal Device - Bearing:	None
Electrically Isolated Bearing:	Not Electrically Isolated	Thermal Device - Winding:	None
Feedback Device:	NO FEEDBACK	Vibration Sensor Indicator:	No Vibration Sensor
Front Face Code:	Standard	Winding Thermal 1:	None
Front Shaft Indicator:	None	Winding Thermal 2:	None

Nameplate NP3441LUA

CAT.NO.	VEM3610T					
SPEC	35L114Q060G1					
HP	3					
VOLTS	230/460					
AMPS	7.2/3.6					
RPM	3450					
FRAME	182TC		HZ	60		PH 3
SF	1.15		CODE	L	DES	B
NEMA NOM. EFF	86.5		PF	92		CLASS F
RATING	40C AMB-CONT					
CC	010A		USABLE AT 208V			N/A
ENCL	TEFC		SER			
DE	6206		ODE	6203		
VPWM INVERTER READY						
CT6-60H(10:1)VT3-60H(20:1)						
	50Hz 3HP 190/380V 8.8/4.4A					SF1.0

AC Induction Motor Performance Data

Record # 50261

Typical performance - not guaranteed values

Winding: 35WGQ060-R002		Type: 3532M		Enclosure: TEFC	
Nameplate Data			460 V, 60 Hz: High Voltage Connection		
Rated Output (HP)	3	Full Load Torque	4.5 LB-FT		
Volts	230/460	Start Configuration	direct on line		
Full Load Amps	7.2/3.6	Breakdown Torque	18 LB-FT		
R.P.M.	3450	Pull-up Torque	11 LB-FT		
Hz	60 Phase	3	Locked-rotor Torque	16 LB-FT	
NEMA Design Code	B KVA Code	L	Starting Current	33 A	
Service Factor (S.F.)	1.15		No-load Current	1.2 A	
NEMA Nom. Eff.	86.5 Power Factor	92	Line-line Res. @ 25°C	4.72 Ω	
Rating - Duty	40C AMB-CONT		Temp. Rise @ Rated Load	61°C	
S.F. Amps			Temp. Rise @ S.F. Load	76°C	

Load Characteristics 460 V, 60 Hz, 3 HP

% of Rated Load	25	50	75	100	125	150	S.F.
Power Factor	62	81	88	92	93	94	93
Efficiency	83.7	87.9	88.2	87.2	85.6	83.5	86.2
Speed	3562	3531	3498	3462	3421	3375	3437
Line amperes	1.5	2.1	2.8	3.6	4.5	5.4	4.1

AC Induction Motor Performance Data

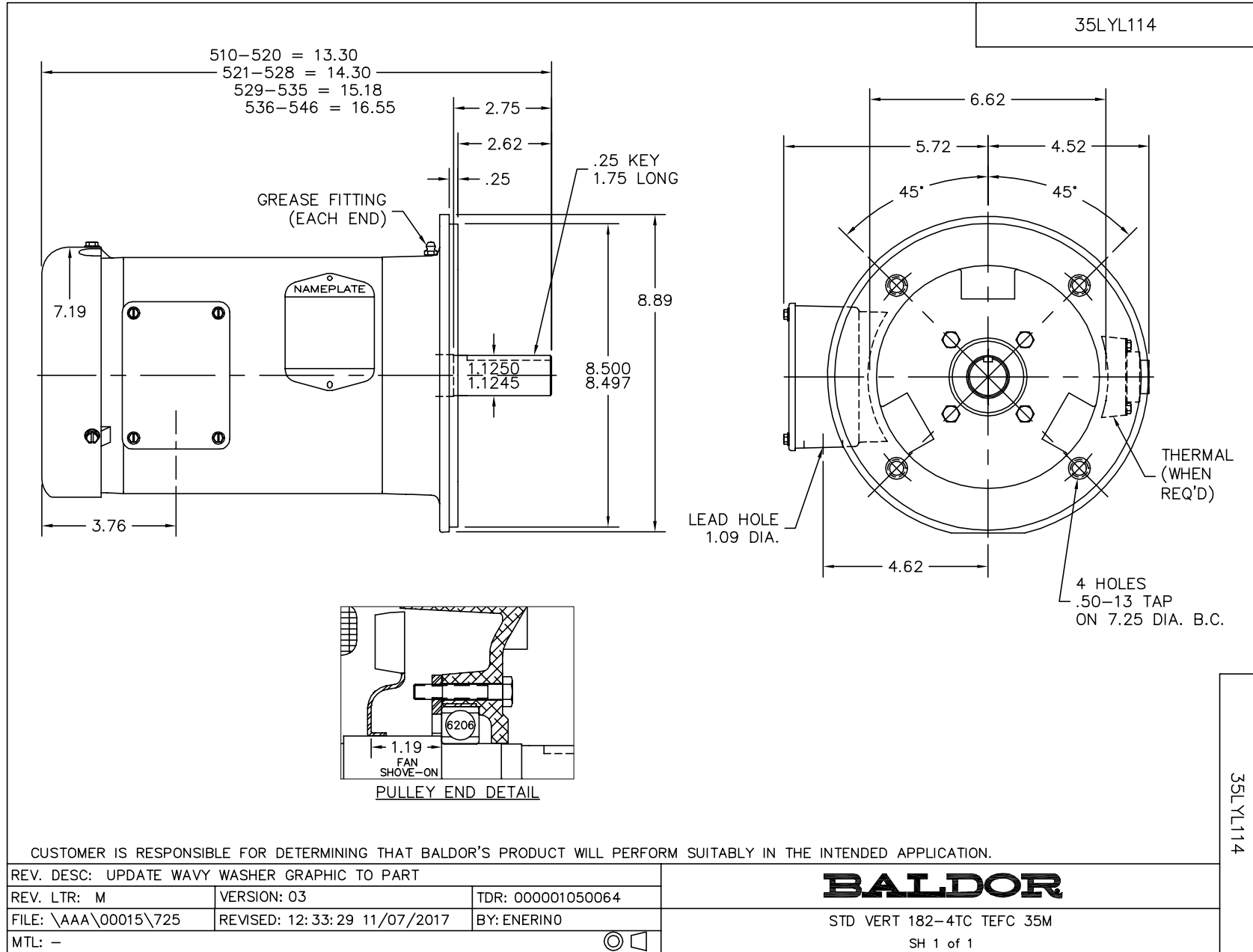
Record # 59171

Typical performance - not guaranteed values

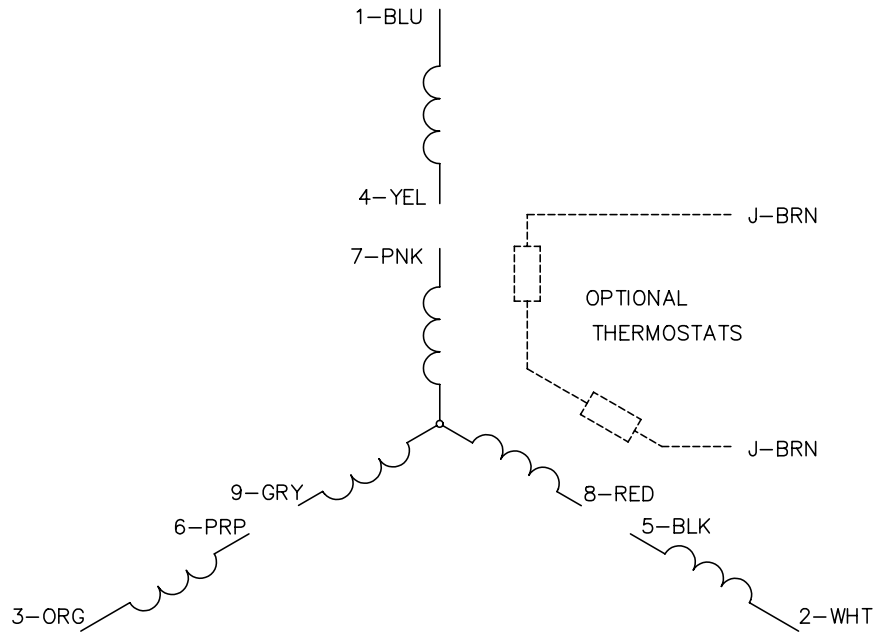
Winding: 35WGQ060-R002		Type: 3532M		Enclosure: TEFC	
Nameplate Data			230 V, 60 Hz: Low Voltage Connection		
Rated Output (HP)	3	Full Load Torque	4.5 LB-FT		
Volts	230/460	Start Configuration	direct on line		
Full Load Amps	7.2/3.6	Breakdown Torque	18 LB-FT		
R.P.M.	3450	Pull-up Torque	11 LB-FT		
Hz	60 Phase	Locked-rotor Torque	16 LB-FT		
NEMA Design Code	B	KVA Code	L	Starting Current	66 A
Service Factor (S.F.)	1.15		No-load Current	2.4 A	
NEMA Nom. Eff.	86.5	Power Factor	92	Line-line Res. @ 25°C	1.17 Ω
Rating - Duty	40C AMB-CONT		Temp. Rise @ Rated Load	61°C	
S.F. Amps			Temp. Rise @ S.F. Load	73°C	
			Locked-rotor Power Factor	47.1	
			Rotor inertia	0.0885 LB-FT ²	

Load Characteristics 230 V, 60 Hz, 3 HP

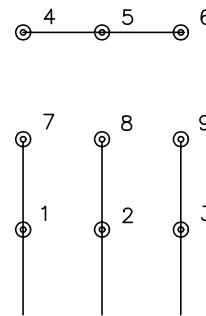
% of Rated Load	25	50	75	100	125	150	S.F.
Power Factor	57	77	85	88	89	90	89
Efficiency	84.1	87.9	88.4	87.2	85.7	83.5	86.3
Speed	3562	3531	3498	3462	3421	3375	3437
Line amperes	3	4.2	5.6	7.2	9	10.8	8.28



CD0005

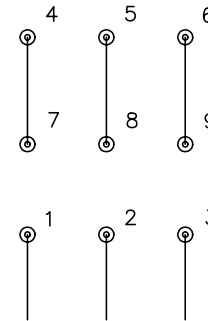


LOW VOLTAGE
(2Y)



LINE

HIGH VOLTAGE
(1Y)



LINE

NOTES:

1. INTERCHANGE ANY TWO LINE LEADS TO REVERSE ROTATION.
2. OPTIONAL THERMOSTATS ARE PROVIDED WHEN SPECIFIED.
3. ACTUAL NUMBER OF INTERNAL PARALLEL CIRCUITS MAY BE A MULTIPLE OF THOSE SHOWN ABOVE.
4. LEAD COLORS ARE OPTIONAL. LEADS MUST ALWAYS BE NUMBERED AS SHOWN.

REV. DESC: REVISE TO SHOW OPTIONAL COLORS			
REV. LTR: E	BY: JLP	REVISED: 01/19/99 10:15	TDR: 0171435
90000		FILE: AAA00005140	MDL: -
		MTL: -	

BALDOR ELECTRIC Co.

3PH, DV, 9 LEADS

CD0005