

BALDOR® • RELIANCE 

Product Information Packet

VM2516T

25HP,3510RPM,3PH,60HZ,254TC,3934M,OPEN,F

Part Detail							
Revision:	E	Status:	INA/A	Change #:		Proprietary:	No
Type:	AC	Elec. Spec:	39WGX256	CD Diagram:	CD0180	Mfg Plant:	
Mech. Spec:	39P021	Layout:	39LYP021	Poles:	02	Created Date:	06-29-2010
Base:	N	Eff. Date:	03-08-2016	Leads:	9#10		

Specs			
Catalog Number:	VM2516T	Inverter Code:	Not Inverter
Enclosure:	ODP	KVA Code:	G
Frame:	254TC	Lifting Lugs:	Standard Lifting Lugs
Output @ Frequency:	25.000 HP @ 60 HZ	Locked Bearing Indicator:	Locked Bearing
Synchronous Speed @ Frequency:	3600 RPM @ 60 HZ	Motor Lead Quantity/Wire Size:	9 @ 10 AWG
Voltage @ Frequency:	230.0 V @ 60 HZ	Motor Lead Exit:	Ko Box
	460.0 V @ 60 HZ	Motor Lead Termination:	Flying Leads
XP Division:	Not Applicable	Motor Type:	3934M
Agency Approvals:	UR	Mounting Arrangement:	F1
	CSA	Power Factor:	89
Auxillary Box:	No Auxillary Box	Product Family:	General Purpose
Auxillary Box Lead Termination:	None	Pulley End Bearing Type:	Ball
Base Indicator:	N	Pulley Face Code:	C-Face
Bearing Grease Type:	Polyrex EM (-20F +300F)	Pulley Shaft Indicator:	Standard
Blower:	None	Rodent Screen:	None
Current @ Voltage:	29.000 A @ 460.0 V	Shaft Extension Location:	Pulley End
	58.000 A @ 230.0 V	Shaft Ground Indicator:	No Shaft Grounding
	68.000 A @ 208.0 V	Shaft Rotation:	Reversible

Design Code:	B	Shaft Slinger Indicator:	No Slinger
Drip Cover:	Drip Cover	Speed Code:	Single Speed
Duty Rating:	CONT	Motor Standards:	NEMA
Electrically Isolated Bearing:	Not Electrically Isolated	Starting Method:	Direct on line
Feedback Device:	NO FEEDBACK	Thermal Device - Bearing:	None
Front Face Code:	Drip Cover Mounting	Thermal Device - Winding:	None
Front Shaft Indicator:	None	Vibration Sensor Indicator:	No Vibration Sensor
Heater Indicator:	No Heater	Winding Thermal 1:	None
Insulation Class:	B	Winding Thermal 2:	None

Nameplate NP1256L										
CAT.NO.	VM2516T									
SPEC.	39P021X256H1									
HP	25									
VOLTS	230/460									
AMP	58/29									
RPM	3510									
FRAME	254TC				HZ	60			PH	3
SER.F.	1.15		CODE	G	DES	B		CLASS	B	
NEMA-NOM-EFF	91		PF	89						
RATING	40C AMB-CONT									
CC	010A				USABLE AT 208V			68		
DE	6309				ODE	6208				
ENCL	OPEN		SN							

AC Induction Motor Performance Data

Record # 13116

Typical performance - not guaranteed values

Winding: 39WGX256-R001		Type: 3934M	Enclosure: OPSB
Nameplate Data		460 V, 60 Hz: High Voltage Connection	
Rated Output (HP)	25	Full Load Torque	37.3 LB-FT
Volts	230/460	Start Configuration	direct on line
Full Load Amps	58/29	Breakdown Torque	122 LB-FT
R.P.M.	3510	Pull-up Torque	46.5 LB-FT
Hz	60 Phase	Locked-rotor Torque	59 LB-FT
NEMA Design Code	B KVA Code	Starting Current	187 A
Service Factor (S.F.)	1.15	No-load Current	9.27 A
NEMA Nom. Eff.	91 Power Factor	Line-line Res. @ 25°C	0.427 Ω
Rating - Duty	40C AMB-CONT	Temp. Rise @ Rated Load	37°C
S.F. Amps		Temp. Rise @ S.F. Load	50°C
		Locked-rotor Power Factor	30
		Rotor inertia	0.868 LB-FT ²

Load Characteristics 460 V, 60 Hz, 25 HP

% of Rated Load	25	50	75	100	125	150	S.F.
Power Factor	57	78	86	89	90	90	90
Efficiency	86.8	91	91.6	91.1	90.1	88.7	90.5
Speed	3581	3561	3541	3519	3495	3468	3505
Line amperes	11.82	16.45	22.36	28.85	36	43.9	33.1

Performance Graph at 460V, 60Hz, 25.0HP Typical performance - Not guaranteed values

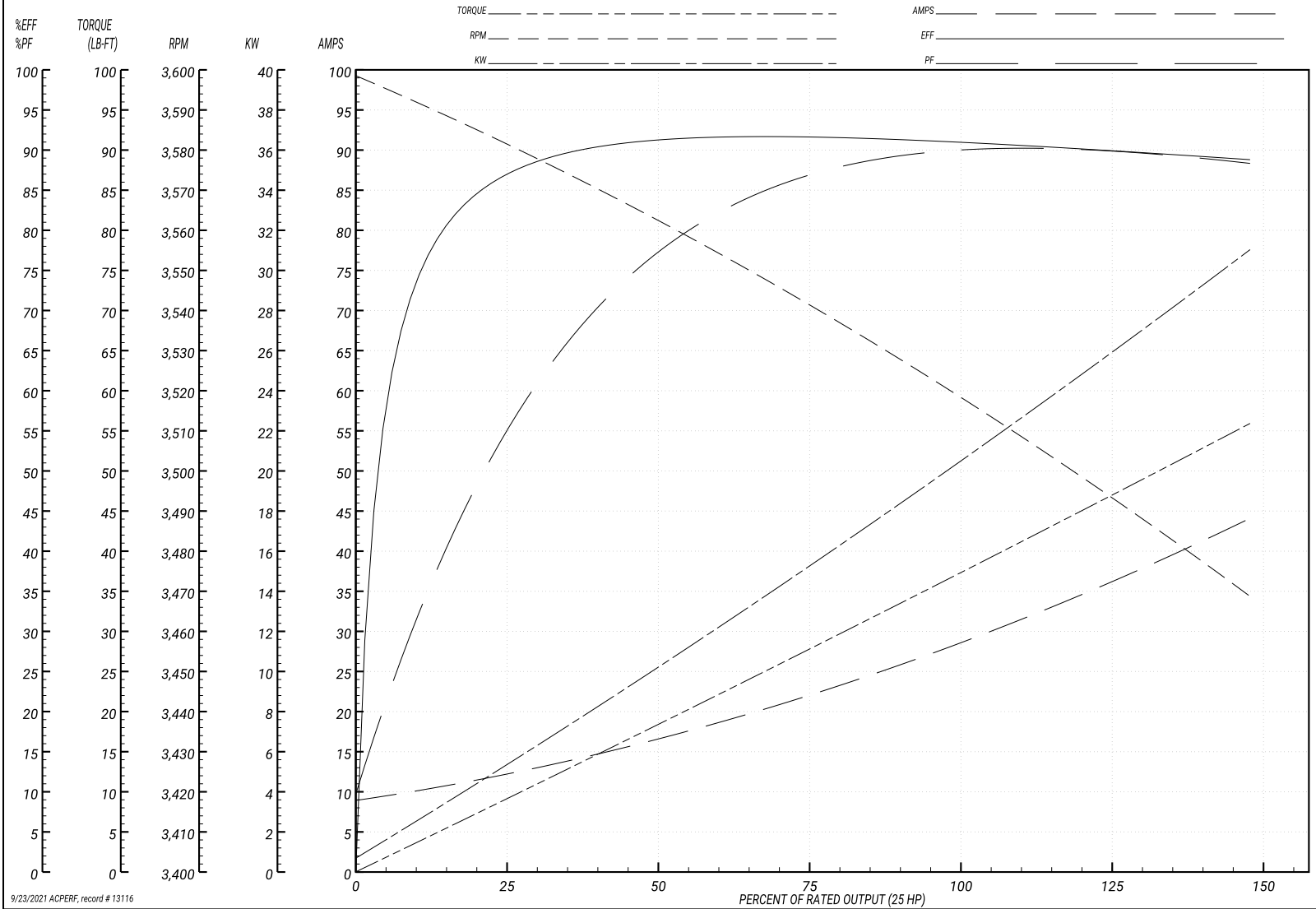
BALDOR ELECTRIC COMPANY

WINDING # 39WGx256

Typical performance - not guaranteed values.

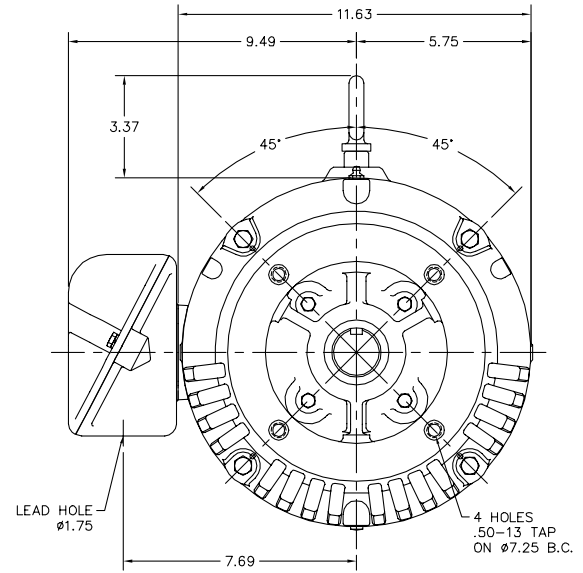
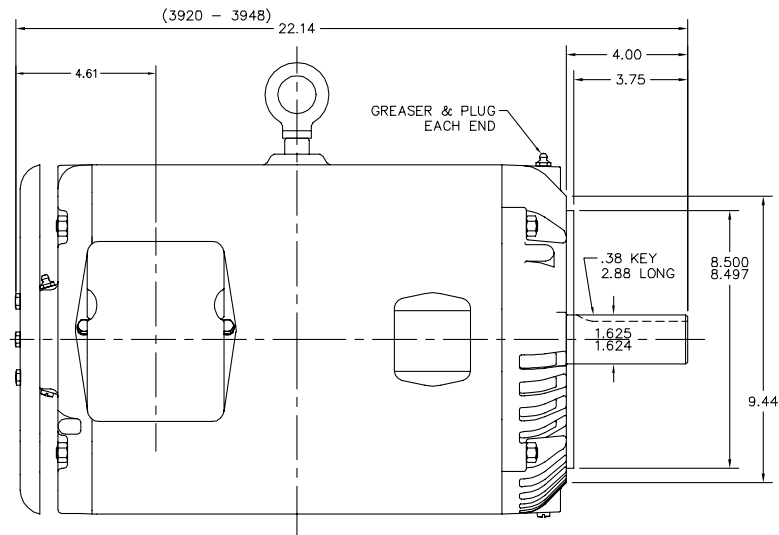
25 HP 3 PH 60 HZ 3510 RPM 460 V 3934M

TORQUES(LB-FT): PO=122 PU=46.5 LR=59 LRA=187



9/23/2021 ACPERF, record # 13116

39LYP021



39LYP021

CUSTOMER IS RESPONSIBLE FOR DETERMINING THAT THE PRODUCT WILL PERFORM SUITABLY IN THE INTENDED APPLICATION.

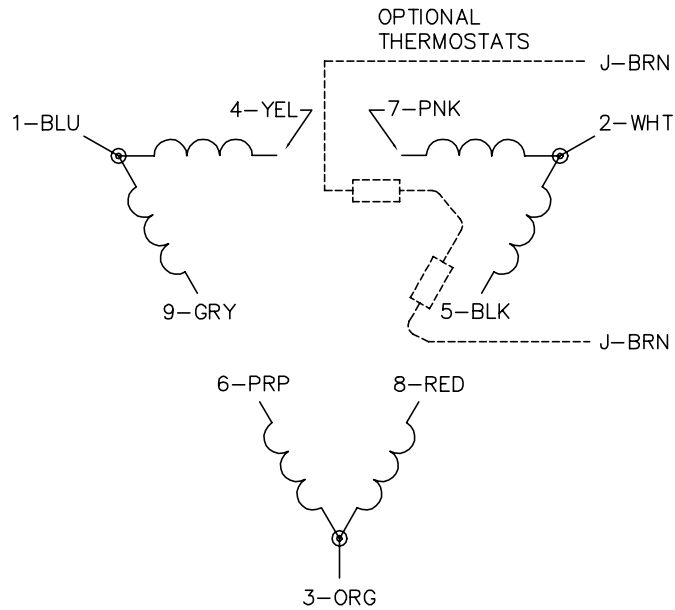
REV. DESC: 09CB3003 WAS '3002(LIFE-CYCLE)	VERSION: 04	TDR: 000001166928
REV. LTR: E	REVISED: 02:56:33 05/04/2021	BY: ENFRAJO
FILE: \AAA\00071\543		
MTL: -		

BALDOR - RELIANCE®

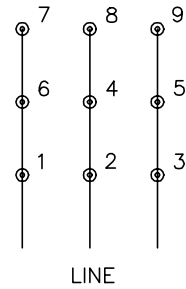
VER OPEN 254-6TC DRIP CVR SPL BAFFLE

SH 1 of 1

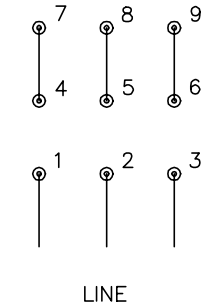
CD0180



LOW VOLTAGE
(2D)



HIGH VOLTAGE
(1D)



NOTES:

1. INTERCHANGE ANY TWO LINE LEADS TO REVERSE ROTATION.
2. OPTIONAL THERMOSTATS ARE PROVIDED WHEN SPECIFIED.
3. ACTUAL NUMBER OF INTERNAL PARALLEL CIRCUITS MAY BE A MULTIPLE OF THOSE SHOWN ABOVE.
4. LEAD COLORS ARE OPTIONAL. LEADS MUST ALWAYS BE NUMBERED AS SHOWN.

CD0180

REV. DESC: ADD CLASS CONN00000007		
REV. LTR: D	VERSION: 01	TDR: 000001099922
FILE: \AAA\00005\148	REVISED: 10:25:29 02/19/2019	BY: ENBRIRO
MTL: -	© □	

BALDOR - RELIANCE®

3PH, DV, 9 LEADS, DELTA CONNECTION

SH 1 of 1