

**BALDOR® • RELIANCE** 

**Product Information Packet**

**VM3609**

**2HP,1750RPM,3PH,60HZ,184C,3524M,TEFC,F1**

Part Detail							
Revision:	C	Status:	INA/A	Change #:		Proprietary:	No
Type:	AC	Elec. Spec:	35WGN917	CD Diagram:	CD0005	Mfg Plant:	
Mech. Spec:	35H324	Layout:	35LYH324	Poles:	04	Created Date:	02-03-2014
Base:	N	Eff. Date:	03-08-2016	Leads:	9#18		

Specs			
Catalog Number:	VM3609	Heater Indicator:	No Heater
Enclosure:	TEFC	Insulation Class:	F
Frame:	184C	Inverter Code:	Not Inverter
Frame Material:	Steel	KVA Code:	L
Motor Letter Type:	Three Phase	Lifting Lugs:	No Lifting Lugs
Output @ Frequency:	2.000 HP @ 60 HZ	Locked Bearing Indicator:	Locked Bearing
Synchronous Speed @ Frequency:	1800 RPM @ 60 HZ	Motor Lead Quantity/Wire Size:	9 @ 18 AWG
Voltage @ Frequency:	230.0 V @ 60 HZ	Motor Lead Exit:	Ko Box
	208.0 V @ 60 HZ	Motor Lead Termination:	Flying Leads
	460.0 V @ 60 HZ	Motor Type:	3524M
XP Division:	Not Applicable	Mounting Arrangement:	F1
Agency Approvals:	CSA	Power Factor:	72
	UR	Product Family:	General Purpose
Auxillary Box:	No Auxillary Box	Pulley End Bearing Type:	Ball
Auxillary Box Lead Termination:	None	Pulley Face Code:	C-Face
Base Indicator:	N	Pulley Shaft Indicator:	Standard
Bearing Grease Type:	Polyrex EM (-20F +300F)	Rodent Screen:	None
Blower:	None	Shaft Extension Location:	Pulley End

<b>Current @ Voltage:</b>	6.200 A @ 230.0 V	<b>Shaft Ground Indicator:</b>	No Shaft Grounding
	6.700 A @ 208.0 V	<b>Shaft Rotation:</b>	Reversible
	3.100 A @ 460.0 V	<b>Shaft Slinger Indicator:</b>	No Slinger
<b>Design Code:</b>	B	<b>Speed Code:</b>	Single Speed
<b>Drip Cover:</b>	No Drip Cover	<b>Motor Standards:</b>	NEMA
<b>Duty Rating:</b>	CONT	<b>Starting Method:</b>	Direct on line
<b>Electrically Isolated Bearing:</b>	Not Electrically Isolated	<b>Thermal Device - Bearing:</b>	None
<b>Feedback Device:</b>	NO FEEDBACK	<b>Thermal Device - Winding:</b>	None
<b>Front Face Code:</b>	Standard	<b>Vibration Sensor Indicator:</b>	No Vibration Sensor
<b>Front Shaft Indicator:</b>	None	<b>Winding Thermal 1:</b>	None
		<b>Winding Thermal 2:</b>	None

Nameplate NP1256L										
CAT.NO.	VM3609									
SPEC.	35H324N917H1									
HP	2									
VOLTS	208-230/460									
AMP	6.7-6.2/3.1									
RPM	1750									
FRAME	184C				HZ	60			PH	3
SER.F.	1.15			CODE	L	DES	B		CLASS	F
NEMA-NOM-EFF	84			PF	72					
RATING	40C AMB-CONT									
CC	010A				USABLE AT 208V			N/A		
DE	6205				ODE	6203				
ENCL	TEFC			SN						

**AC Induction Motor Performance Data**

Record # 44492

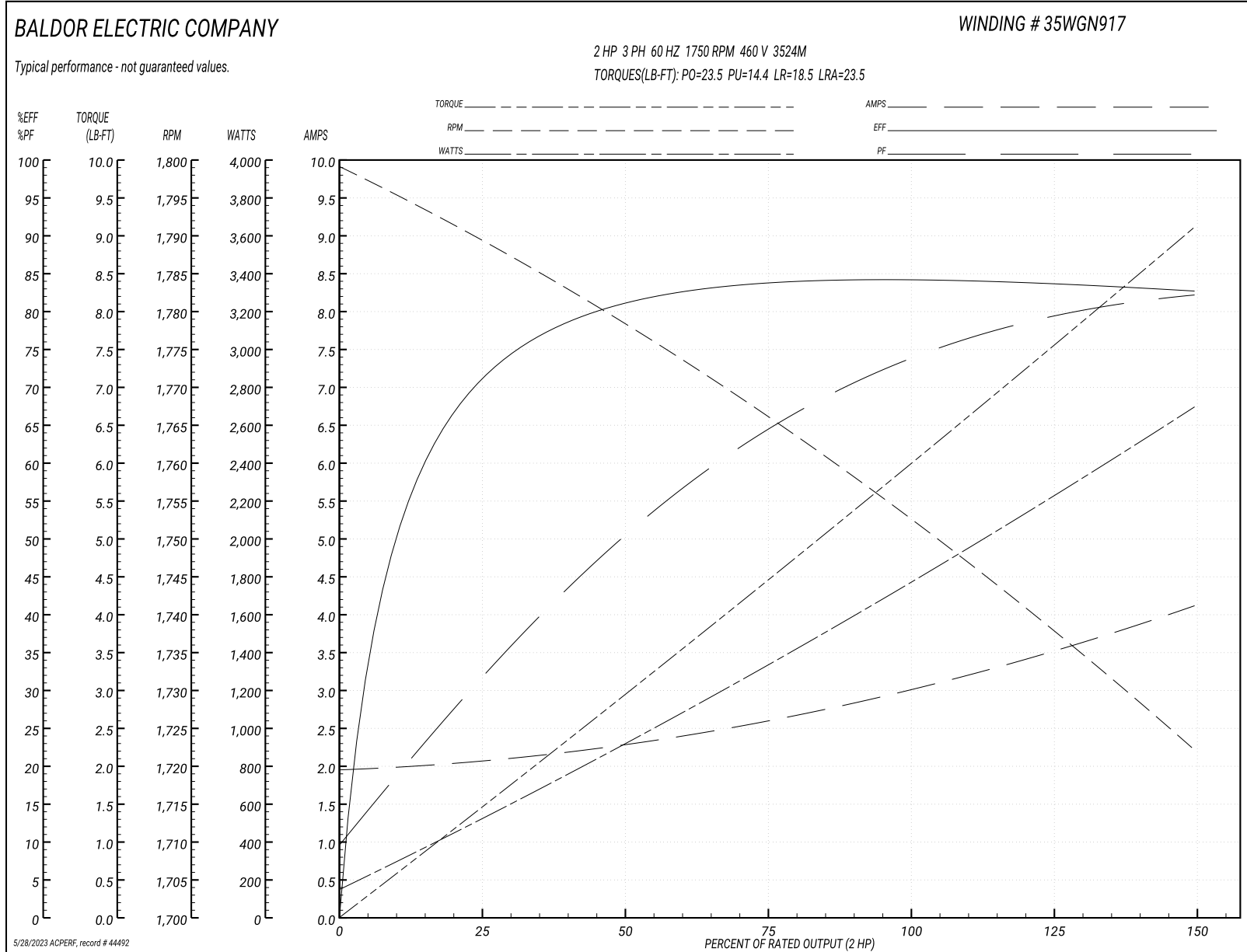
Typical performance - not guaranteed values

Winding: 35WGN917-R001		Type: 3524M	Enclosure: TEFC	
<b>Nameplate Data</b>			<b>460 V, 60 Hz: High Voltage Connection</b>	
Rated Output (HP)	2	Full Load Torque	5.99 LB-FT	
Volts	208-230/460	Start Configuration	direct on line	
Full Load Amps	6.7-6.2/3.1	Breakdown Torque	23.5 LB-FT	
R.P.M.	1750	Pull-up Torque	14.4 LB-FT	
Hz	60 Phase	Locked-rotor Torque	18.5 LB-FT	
NEMA Design Code	B KVA Code	Starting Current	23.5 A	
Service Factor (S.F.)	1.15	No-load Current	1.97 A	
NEMA Nom. Eff.	84 Power Factor	Line-line Res. @ 25°C	7.97 Ω	
Rating - Duty	40C AMB-CONT	Temp. Rise @ Rated Load	72°C	
S.F. Amps		Temp. Rise @ S.F. Load	84°C	
		Locked-rotor Power Factor	53	
		Rotor inertia	0.142 LB-FT <sup>2</sup>	

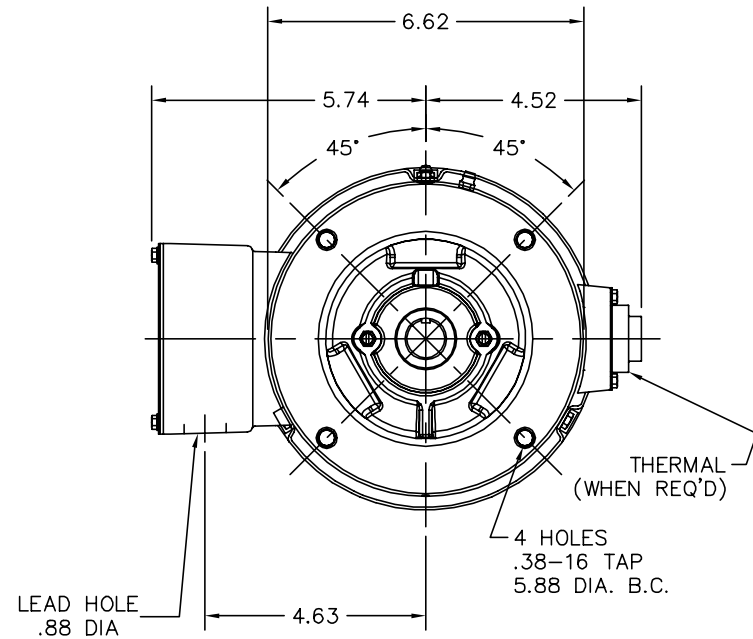
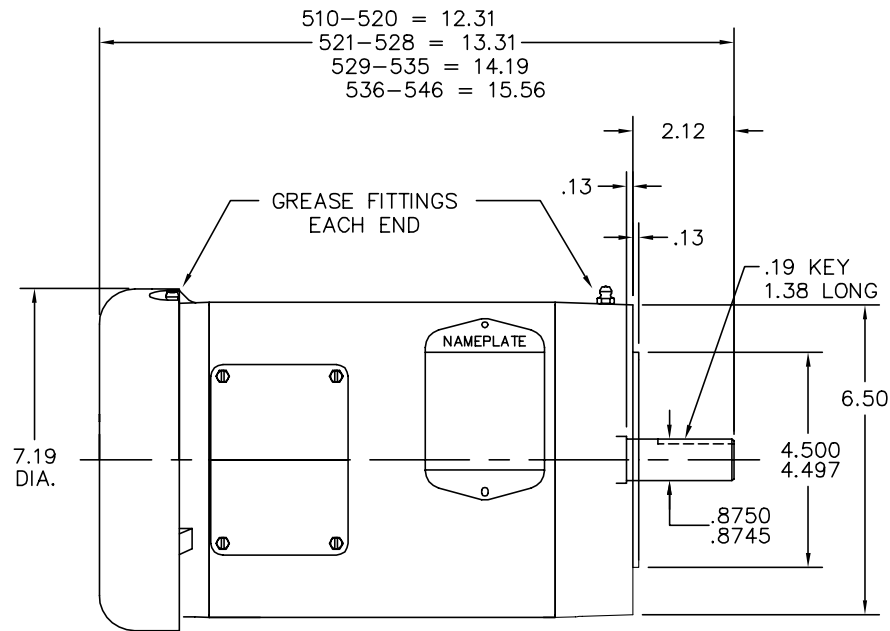
**Load Characteristics 460 V, 60 Hz, 2 HP**

% of Rated Load	25	50	75	100	125	150	S.F.
Power Factor	32	51	64	73	79	83	77
Efficiency	70.8	80.7	83.7	84.3	83.9	82.6	84.1
Speed	1790	1778	1766	1753	1738	1722	1744
Line amperes	2.05	2.26	2.61	3.03	3.52	4.11	3.32

Performance Graph at 460V, 60Hz, 2.0HP Typical performance - Not guaranteed values



35LYH324



CUSTOMER IS RESPONSIBLE FOR DETERMINING THAT BALDOR'S PRODUCT WILL PERFORM SUITABLY IN THE INTENDED APPLICATION.

REV. DESC: REPLACE ENDPLATES		
REV. LTR: D	VERSION: 01	TDR: 000001064040
FILE: \AAA\00013\553	REVISED: 10:57:22 03/15/2018	BY: FPJFEGO
MTL: -		

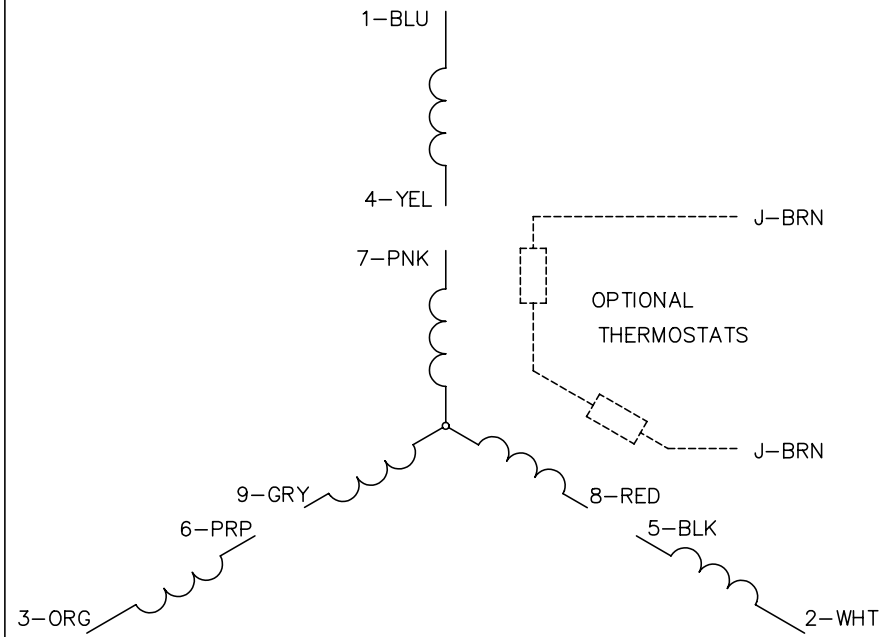
**BALDOR**

STD VERT 35M 182-4C TEFC FACE MTD

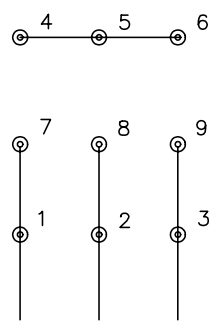
SH 1 of 1

35LYH324

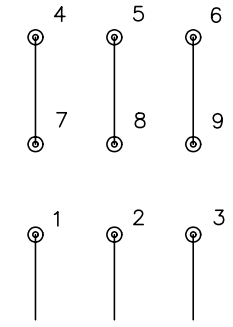
CD0005



LOW VOLTAGE (2Y)



HIGH VOLTAGE (1Y)



NOTES:

1. INTERCHANGE ANY TWO LINE LEADS TO REVERSE ROTATION.
2. OPTIONAL THERMOSTATS ARE PROVIDED WHEN SPECIFIED.
3. ACTUAL NUMBER OF INTERNAL PARALLEL CIRCUITS MAY BE A MULTIPLE OF THOSE SHOWN ABOVE.
4. LEAD COLORS ARE OPTIONAL. LEADS MUST ALWAYS BE NUMBERED AS SHOWN.

REV. DESC: REVISE TO SHOW OPTIONAL COLORS			
REV. LTR: E	BY: JLP	REVISED: 01/19/99 10:15	TDR: 0171435
90000		FILE: AAA00005140	MDL: -
		MTL: -	

**BALDOR ELECTRIC Co.**

3PH, DV, 9 LEADS

CD0005