

BALDOR® • RELIANCE 

Product Information Packet

WCM3314T

15HP,3500RPM,3PH,60HZ,215TCZ,3731M,OPSB

Part Detail							
Revision:	F	Status:	INA/A	Change #:		Proprietary:	No
Type:	AC	Elec. Spec:	37WGS634	CD Diagram:	CD0005	Mfg Plant:	
Mech. Spec:	37F978	Layout:	37LYF978	Poles:	02	Created Date:	09-12-2012
Base:	RG	Eff. Date:	03-08-2016	Leads:	9#14		

Specs			
Catalog Number:	WCM3314T	Heater Indicator:	No Heater
Enclosure:	OPSB	Insulation Class:	F
Frame:	215TCZ	Inverter Code:	Not Inverter
Frame Material:	Steel	KVA Code:	G
Output @ Frequency:	15.000 HP @ 60 HZ	Lifting Lugs:	Standard Lifting Lugs
Synchronous Speed @ Frequency:	3600 RPM @ 60 HZ	Locked Bearing Indicator:	Locked Bearing
Voltage @ Frequency:	208.0 V @ 60 HZ	Motor Lead Quantity/Wire Size:	9 @ 14 AWG
	230.0 V @ 60 HZ	Motor Lead Exit:	Ko Box
	460.0 V @ 60 HZ	Motor Lead Termination:	Flying Leads
XP Class and Group:	None	Motor Type:	3731M
XP Division:	Not Applicable	Mounting Arrangement:	F1
Agency Approvals:	UR	Power Factor:	86
	CSA	Product Family:	General Purpose
Auxillary Box:	No Auxillary Box	Pulley End Bearing Type:	Ball
Auxillary Box Lead Termination:	None	Pulley Face Code:	C-Face
Base Indicator:	Rigid	Pulley Shaft Indicator:	Tapped & Key
Bearing Grease Type:	Polyrex EM (-20F +300F)	Rodent Screen:	Included
Blower:	None	Shaft Extension Location:	Pulley End

Current @ Voltage:	18.000 A @ 460.0 V	Shaft Ground Indicator:	No Shaft Grounding
	36.000 A @ 230.0 V	Shaft Rotation:	Reversible
	39.000 A @ 208.0 V	Shaft Slinger Indicator:	No Slinger
Design Code:	B	Speed Code:	Single Speed
Drip Cover:	No Drip Cover	Motor Standards:	NEMA
Duty Rating:	CONT	Starting Method:	Direct on line
Electrically Isolated Bearing:	Not Electrically Isolated	Thermal Device - Bearing:	None
Feedback Device:	NO FEEDBACK	Thermal Device - Winding:	None
Front Face Code:	Standard	Vibration Sensor Indicator:	No Vibration Sensor
Front Shaft Indicator:	None	Winding Thermal 1:	None
		Winding Thermal 2:	None

Nameplate NP1256L										
CAT.NO.	WCM3314T									
SPEC.	37F978S634H1									
HP	15									
VOLTS	208-230/460									
AMP	39-36/18									
RPM	3500									
FRAME	215TCZ				HZ	60			PH	3
SER.F.	1.15		CODE	G	DES	B		CLASS	F	
NEMA-NOM-EFF	89.5		PF	86						
RATING	40C AMB-CONT									
CC								USABLE AT 208V	39	
DE	6309				ODE	6206				
ENCL	OPSB		SN							

AC Induction Motor Performance Data

Record # 30112

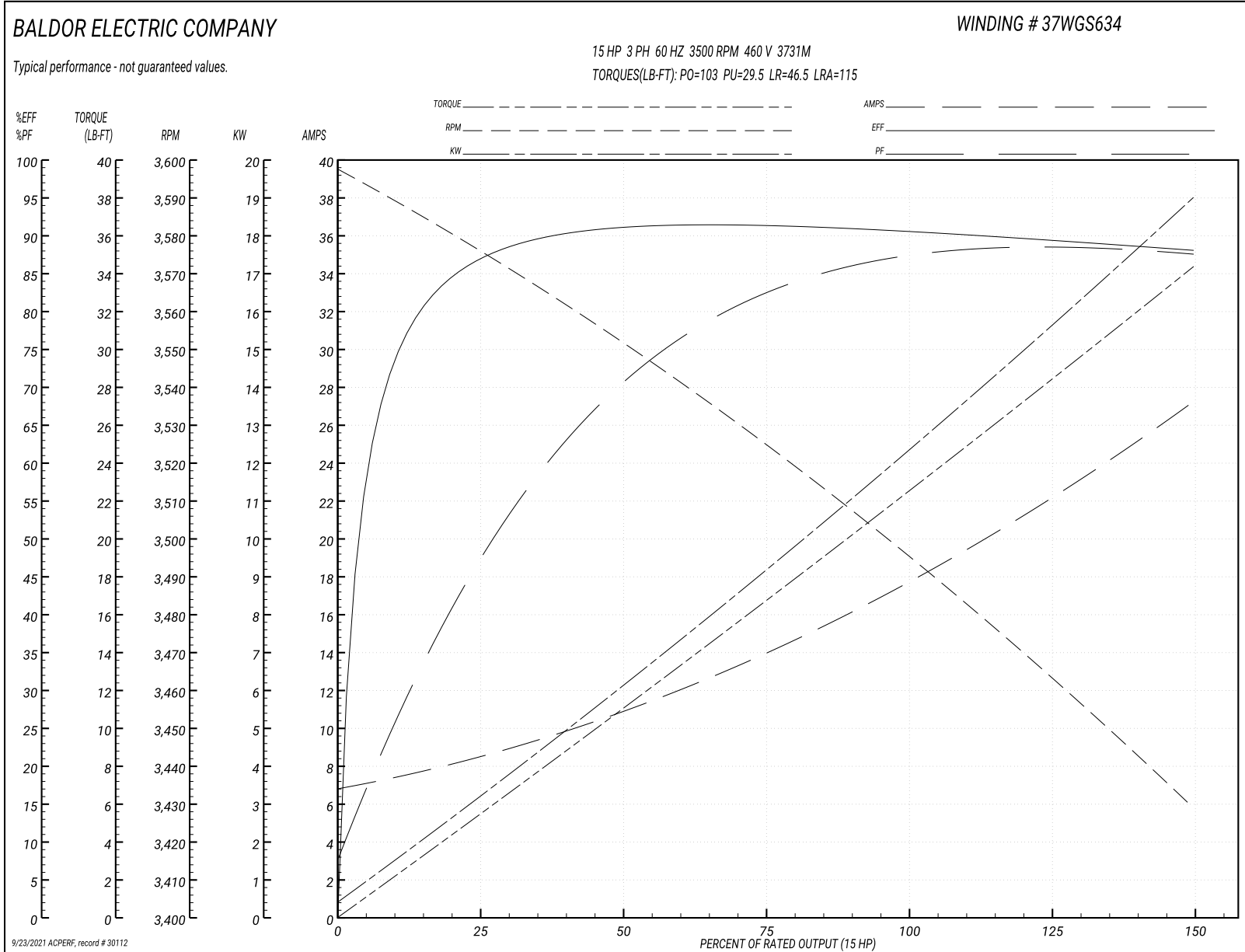
Typical performance - not guaranteed values

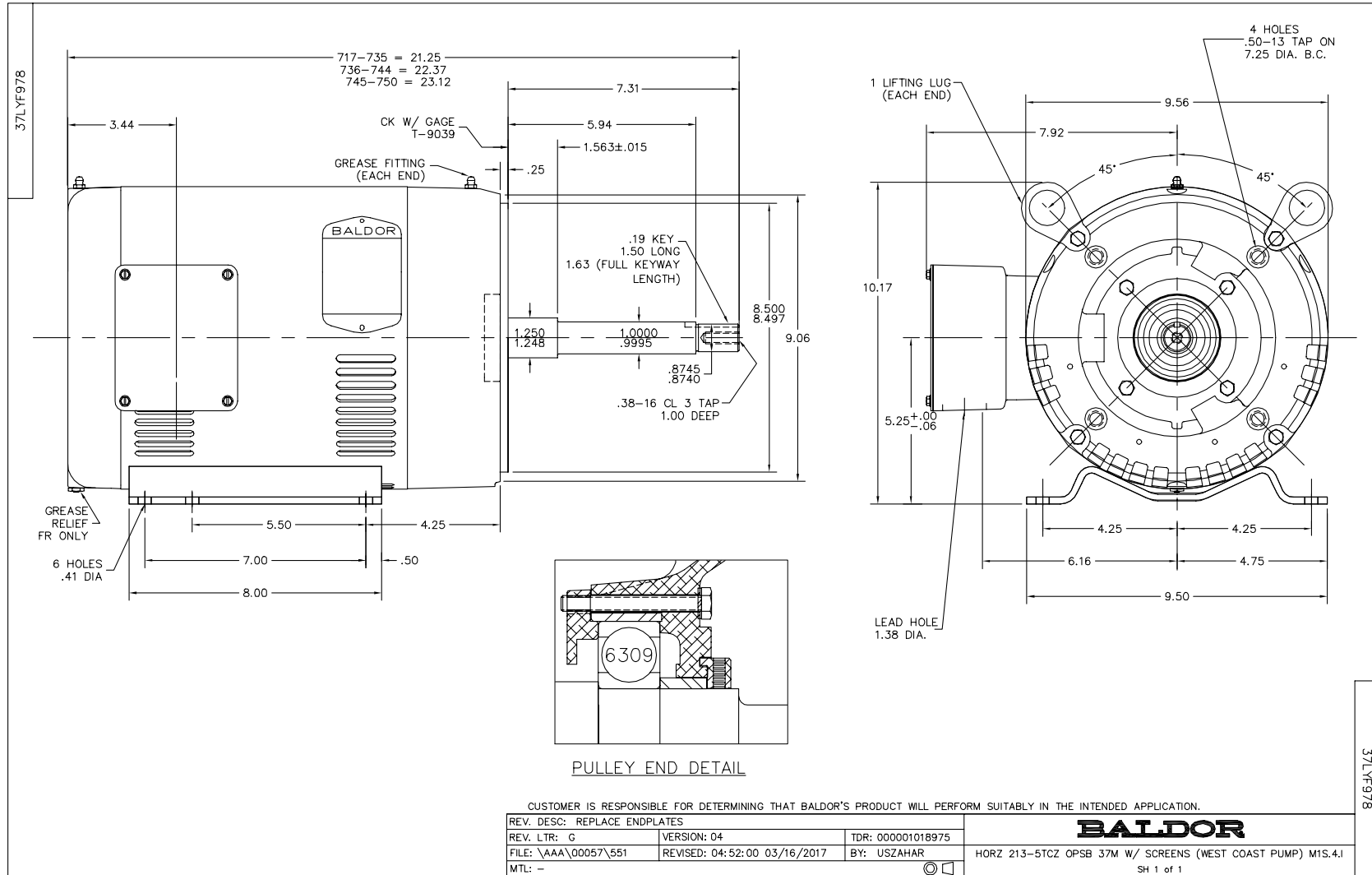
Winding: 37WGS634-R001		Type: 3731M		Enclosure: OPSB	
Nameplate Data			460 V, 60 Hz: High Voltage Connection		
Rated Output (HP)	15	Full Load Torque	22.5 LB-FT		
Volts	208-230/460	Start Configuration	direct on line		
Full Load Amps	39-36/18	Breakdown Torque	103 LB-FT		
R.P.M.	3500	Pull-up Torque	29.5 LB-FT		
Hz	60 Phase	3	Locked-rotor Torque	46.5 LB-FT	
NEMA Design Code	B KVA Code	G	Starting Current	115 A	
Service Factor (S.F.)	1.15		No-load Current	7.12 A	
NEMA Nom. Eff.	89.5	Power Factor	86	Line-line Res. @ 25°C	0.694 Ω
Rating - Duty	40C AMB-CONT		Temp. Rise @ Rated Load	41°C	
S.F. Amps			Temp. Rise @ S.F. Load	52°C	
			Locked-rotor Power Factor	33	
			Rotor inertia	0.282 LB-FT ²	

Load Characteristics 460 V, 60 Hz, 15 HP

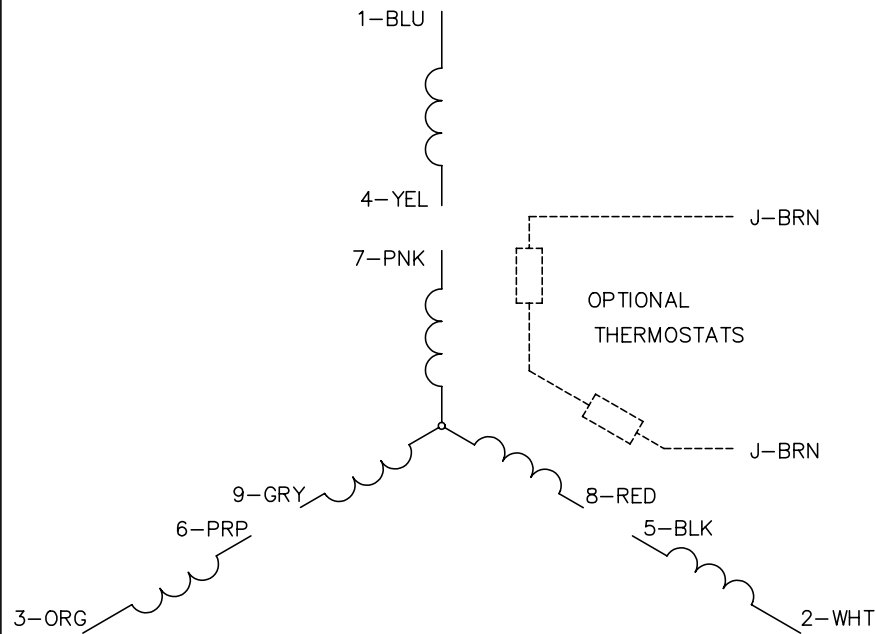
% of Rated Load	25	50	75	100	125	150	S.F.
Power Factor	49	72	82	86	88	88	87
Efficiency	86.4	90.7	91	90.3	89.5	87.9	89.9
Speed	3574.5	3551.6	3525.5	3496.5	3463.9	3428.2	3477
Line amperes	8.1	10.6	14.1	18	22.2	27.1	20.6

Performance Graph at 460V, 60Hz, 15.0HP Typical performance - Not guaranteed values





CD0005

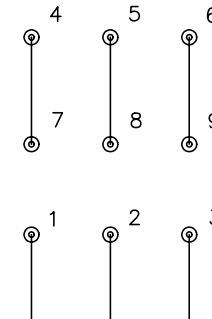


LOW VOLTAGE
(2Y)



LINE

HIGH VOLTAGE
(1Y)



LINE

NOTES:

1. INTERCHANGE ANY TWO LINE LEADS TO REVERSE ROTATION.
2. OPTIONAL THERMOSTATS ARE PROVIDED WHEN SPECIFIED.
3. ACTUAL NUMBER OF INTERNAL PARALLEL CIRCUITS MAY BE A MULTIPLE OF THOSE SHOWN ABOVE.
4. LEAD COLORS ARE OPTIONAL. LEADS MUST ALWAYS BE NUMBERED AS SHOWN.

REV. DESC: REVISE TO SHOW OPTIONAL COLORS			
REV. LTR: E	BY: JLP	REVISED: 01/19/99 10:15	TDR: 0171435
900000		FILE: AAA00005140	MDL: -
		MTL: -	

BALDOR ELECTRIC Co.

3PH, DV, 9 LEADS

CD0005