

BALDOR® • RELIANCE 

Product Information Packet

WWL3509

1HP,3450RPM,1PH,60HZ,48Z,3428L,TEFC,F1

Part Detail							
Revision:	AG	Status:	PRD/A	Change #:		Proprietary:	No
Type:	AC	Elec. Spec:	34WG2204	CD Diagram:	CD0008	Mfg Plant:	
Mech. Spec:	34-2908	Layout:	34LY2908	Poles:	02	Created Date:	
Base:	RG	Eff. Date:	04-22-2021	Leads:	6#18,1#14 #4TH		

Specs			
Catalog Number:	WWL3509	Inverter Code:	Not Inverter
Enclosure:	TEFC	KVA Code:	K
Frame:	48Z	Lifting Lugs:	No Lifting Lugs
Frame Material:	Steel	Locked Bearing Indicator:	No Locked Bearing
Output @ Frequency:	1.000 HP @ 60 HZ	Motor Lead Quantity/Wire Size:	6 @ 18 AWG
Synchronous Speed @ Frequency:	3600 RPM @ 60 HZ	Motor Lead Exit:	Ko Box
Voltage @ Frequency:	115.0 V @ 60 HZ	Motor Lead Termination:	Flying Leads
	230.0 V @ 60 HZ	Motor Type:	3428L
XP Class and Group:	None	Mounting Arrangement:	F1
XP Division:	Not Applicable	Power Factor:	71
Agency Approvals:	UR	Product Family:	General Purpose
	CSA	Product Type:	WOODWORKING MOTORS
Auxillary Box:	No Auxillary Box	Pulley End Bearing Type:	Ball
Auxillary Box Lead Termination:	None	Pulley Face Code:	Standard
Base Indicator:	Rigid	Pulley Shaft Indicator:	Key Only (When Non-STD)
Bearing Grease Type:	Polyrex EM (-20F +300F)	Rodent Screen:	None
Blower:	None	Shaft Extension Location:	Pulley End
Current @ Voltage:	12.600 A @ 115.0 V	Shaft Ground Indicator:	No Shaft Grounding

	6.300 A @ 230.0 V	Shaft Rotation:	Reversible
Design Code:	N	Shaft Slinger Indicator:	No Slinger
Drip Cover:	No Drip Cover	Speed Code:	Single Speed
Duty Rating:	CONT	Motor Standards:	NEMA
Electrically Isolated Bearing:	Not Electrically Isolated	Starting Method:	Direct on line
Feedback Device:	NO FEEDBACK	Thermal Device - Bearing:	None
Front Face Code:	Standard	Thermal Device - Winding:	None
Front Shaft Indicator:	None	Vibration Sensor Indicator:	No Vibration Sensor
Heater Indicator:	No Heater	Winding Thermal 1:	Manual Thermal Overload
Insulation Class:	B	Winding Thermal 1 Location:	SB

Nameplate NP1257L	
CAT.NO.	
SPEC.	34-2908-2204
HP	1
VOLTS	115/230
AMP	12.6/6.3
RPM	3450
FRAME	48Z
HZ	60
PH	1
SER.F.	1.00
CODE	K
DES	N
CL	B
NEMA-NOM-EFF	65
PF	71
RATING	40C AMB-CONT
CC	USABLE AT 208V
DE	6203
ODE	6203
ENCL	TEFC
SN	

AC Induction Motor Performance Data

Record # 6640

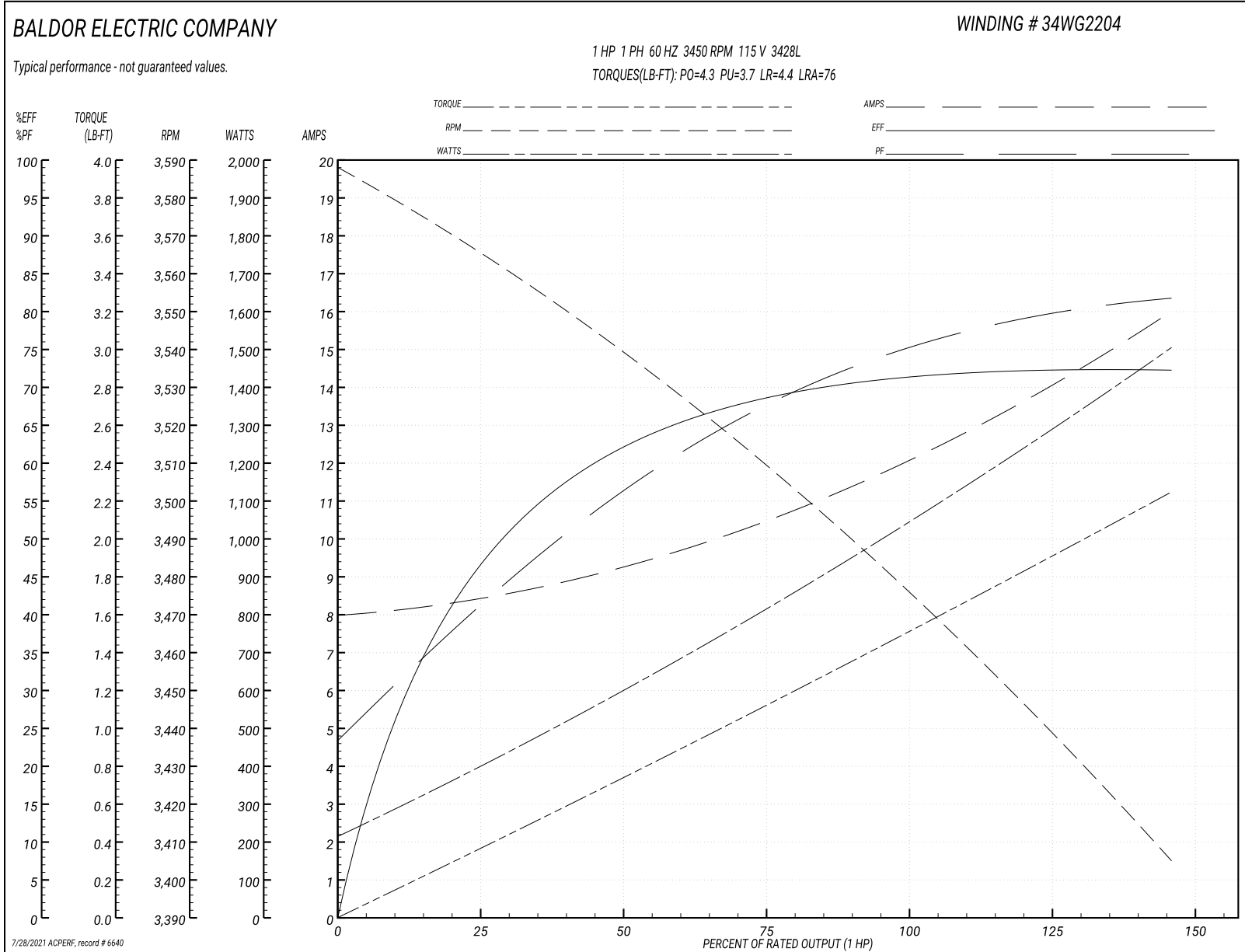
Typical performance - not guaranteed values

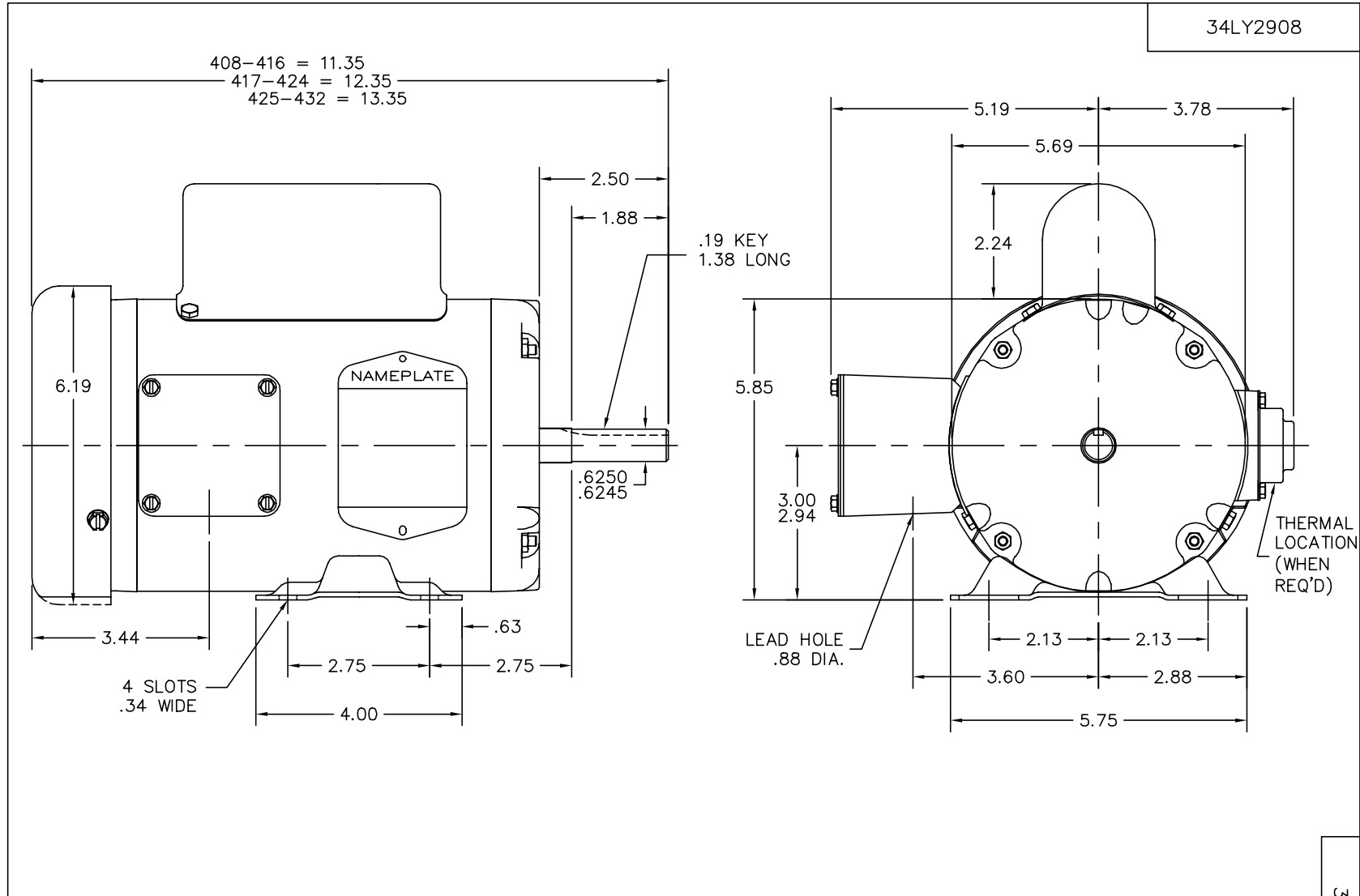
Winding: 34WG2204-R001		Type: 3428L	Enclosure: OPEN
Nameplate Data		115 V, 60 Hz: Low Voltage Connection	
Rated Output (HP)	1	Full Load Torque	1.5 LB-FT
Volts	115/230	Start Configuration	direct on line
Full Load Amps	12.6/6.3	Breakdown Torque	4.3 LB-FT
R.P.M.	3450	Pull-up Torque	3.7 LB-FT
Hz	60 Phase	Locked-rotor Torque	4.4 LB-FT
NEMA Design Code	N KVA Code	Starting Current	76 A
Service Factor (S.F.)	1	No-load Current	8 A
NEMA Nom. Eff.	65 Power Factor	Line-line Res. @ 25°C	0.437 Ω A Ph 1.76 Ω B Ph
Rating - Duty	40C AMB-CONT	Temp. Rise @ Rated Load	64°C

Load Characteristics 115 V, 60 Hz, 1 HP

% of Rated Load	25	50	75	100	125	150
Power Factor	41	56	68	75	81	84
Efficiency	46.8	62	68.6	71.5	72.5	72.1
Speed	3564	3538	3509	3478	3443	3404
Line amperes	8.4	9.3	10.5	12	13.9	16

Performance Graph at 115V, 60Hz, 1.0HP Typical performance - Not guaranteed values





34LY2908

CUSTOMER IS RESPONSIBLE FOR DETERMINING THAT MOTOR PERFORMANCE IS SUITABLE IN THE APPLICATION.

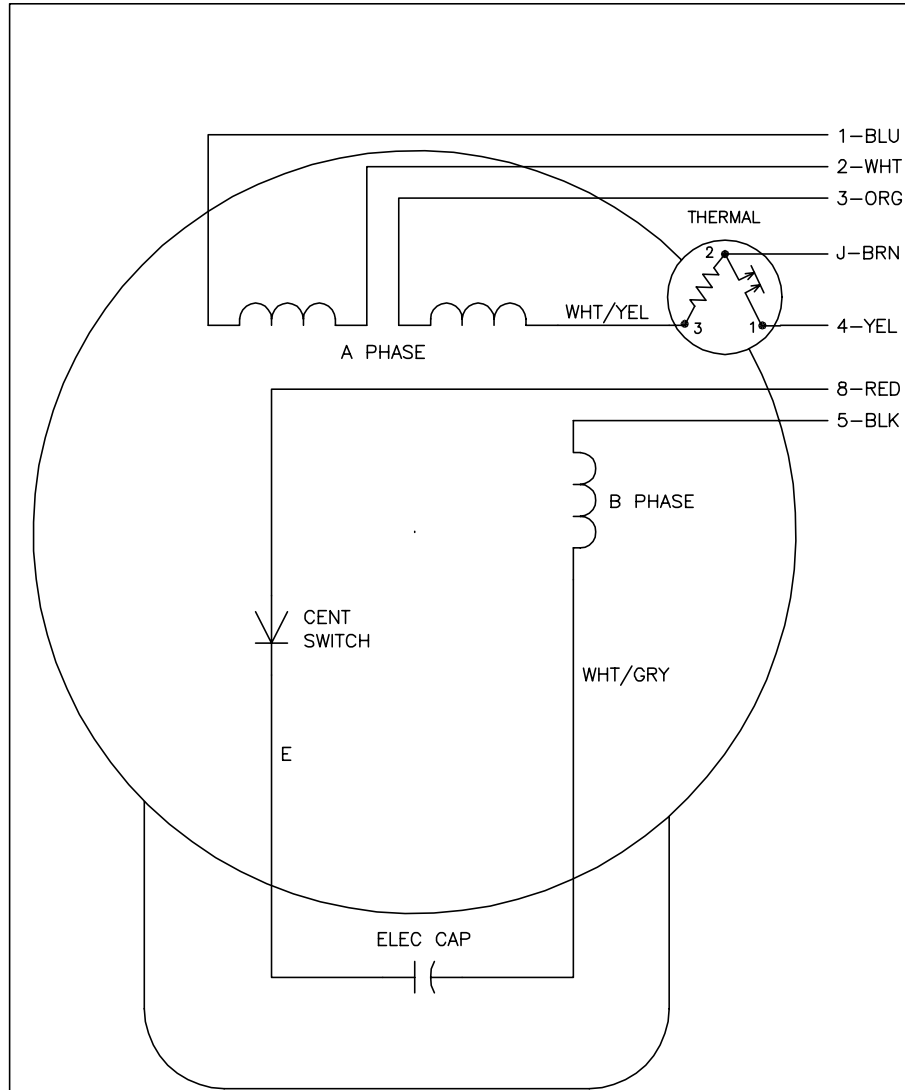
REV. DESC: UPDATED GRAPHIC		
REV. LTR: E	VERSION: 01	TDR: 000000421280
806ZΛ77C	FILE: \AAA\00013\160	REVISED: 17:03:39 02/01/2007
	MTL: -	BY: ENROSTO

BALDOR ELECTRIC Co.

HORZ MODEL 34L NEMA 48Z TEFC (W/NEMA 56 SHAFT)

34LY2908

CD0008



	LINE A	LINE B	JOIN	JOIN
HIGH STD	1	4	2,3,8	J,5
HIGH OPP	1	4	2,3,5	J,8
LOW STD	1,3,8	4	-	2,J,5
LOW OPP	1,3,5	4	-	2,J,8

NOTES:

1. STANDARD ROTATION IS CCW FACING END OPPOSITE SHAFT EXTENSION.
2. MULTIPLE CAPACITORS ARE CONNECTED IN PARALLEL UNLESS OTHERWISE SPECIFIED.
3. LEAD COLORS ARE OPTIONAL. LEADS MUST ALWAYS BE NUMBERED AS SHOWN.

REV. DESC: REMOVE 2-TERMINAL THERMAL DETAIL, SEE CD0008A02		
REV. LTR: F	VERSION: 01	TDR: 000000360649
80000	FILE: \AAA\00007\408	REVISED: 10:56:54 04/18/2005
	MTL: -	BY: ENJOEPO

BALDOR ELECTRIC Co.

TYPE L, DV, REV, THERMAL, 7 LEADS

CD0008